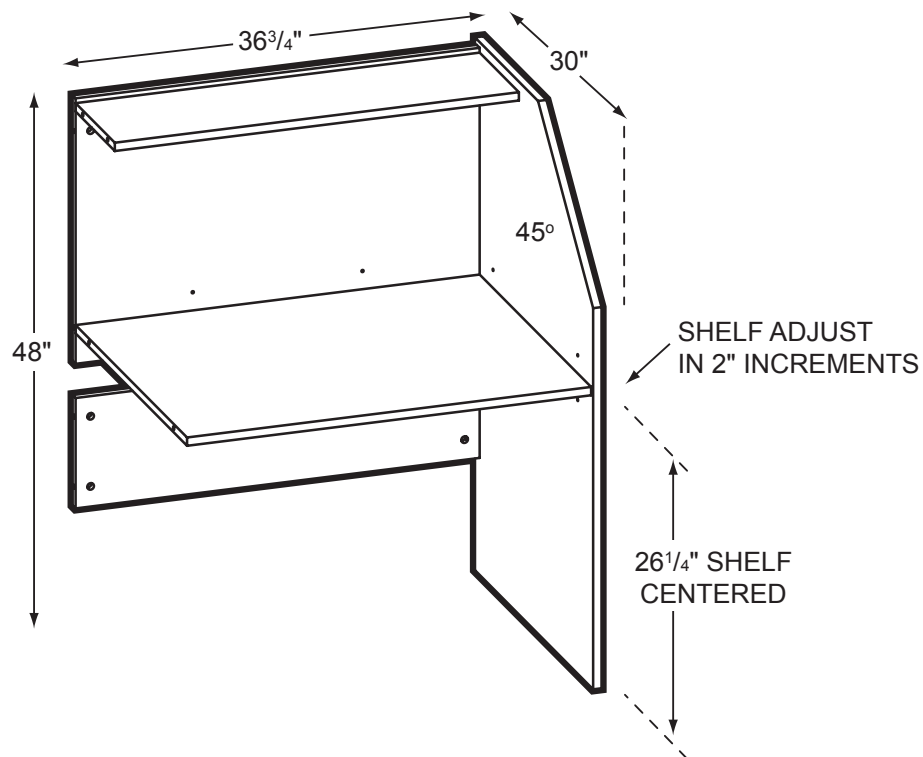


# ASC

---

## Add-on Study Carrel



---

### Product Specs

---

- $\frac{3}{4}"$  thermal fused laminate
- Cam and post construction
- Matched edge banding
- Adjustable work height
- Wire access through back