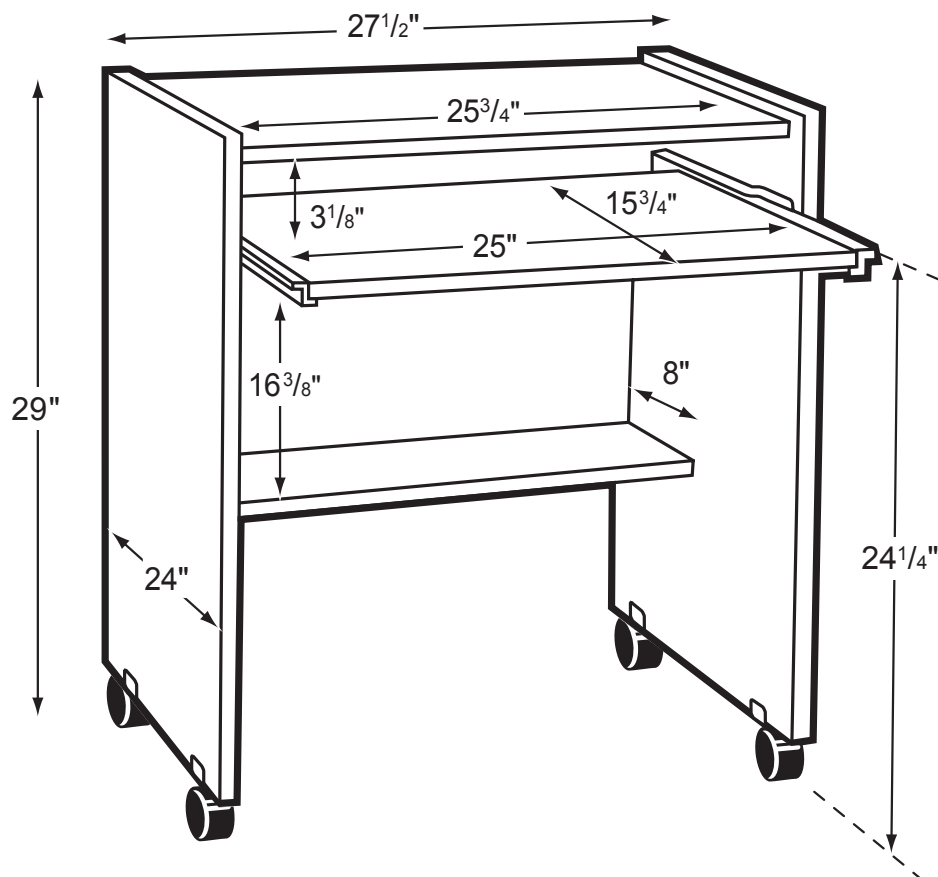


CUB

Computer Stand



Product Specs

- 3/4" thermal fused laminate
- Cam and post construction
- Matched edge banding
- Lower bookshelf
- Keyboard shelf on 2/3 extension steel slide
- Reinforced 2" casters (2 locking)