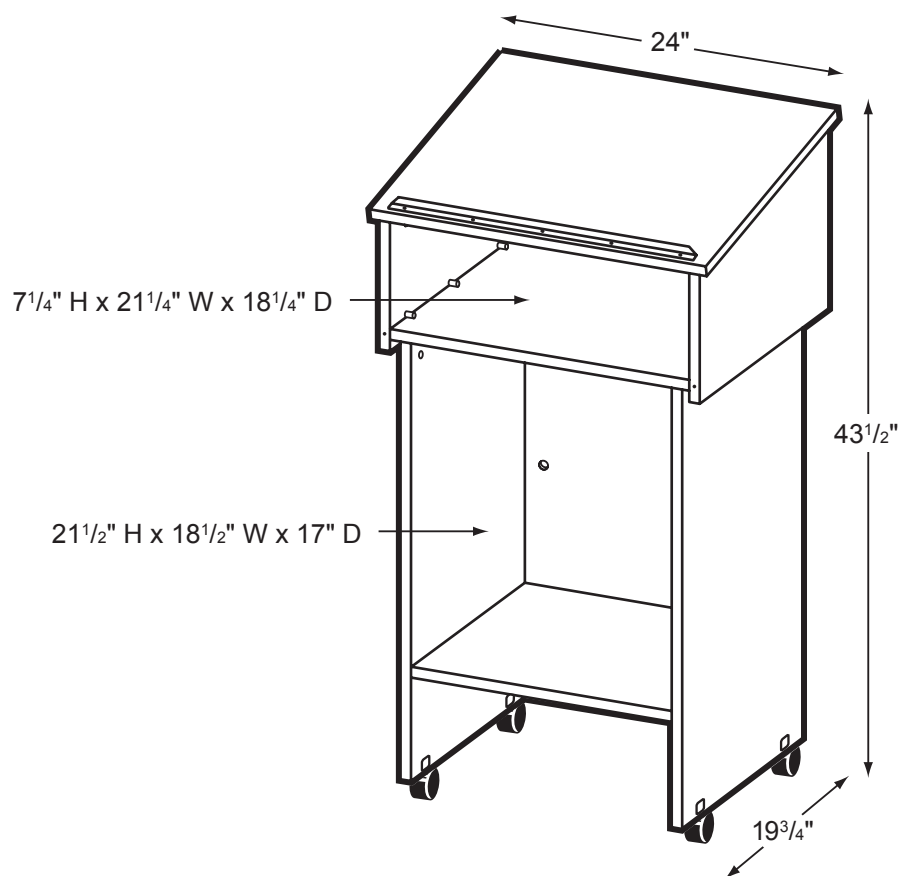


# TSL

---

## Two Section Lectern



### Product Specs

- 3/4" thermal fused laminate
- Cam and post construction
- Matched edge banding
- Top section removable for table top use
- Lower section with storage shelf
- Reinforced 2" casters (2 locking)