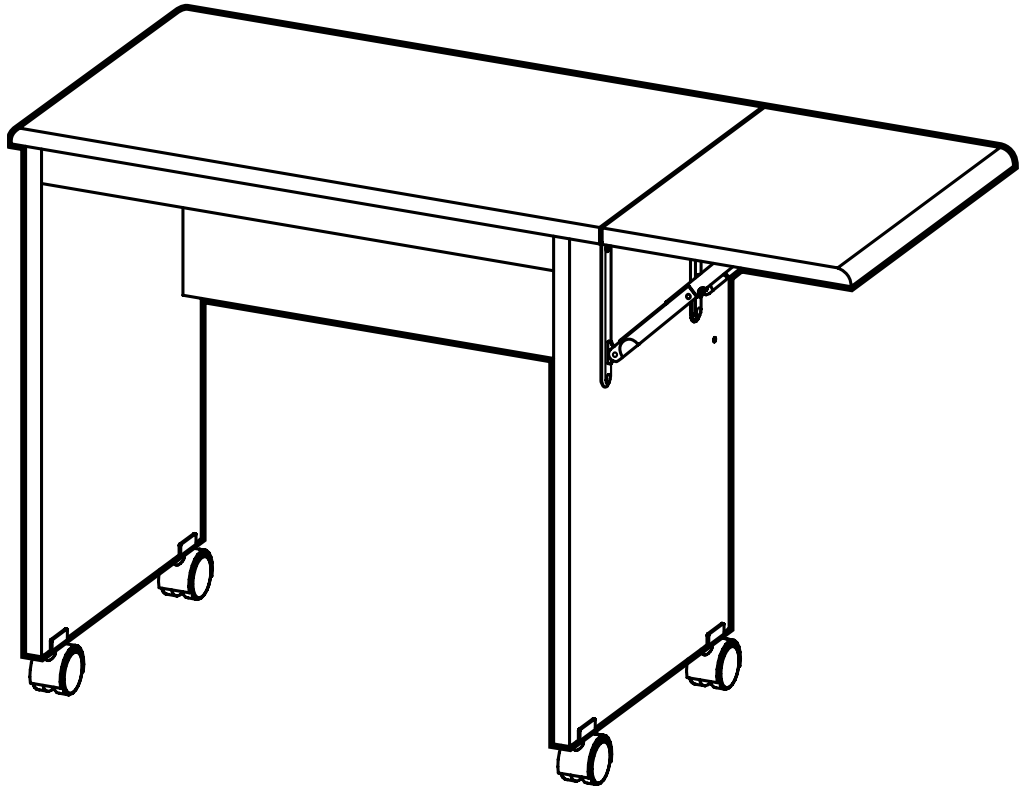




TSS

TYPING STAND



IMPORTANT!

Assembly may require the assistance of another person.

Before you begin assembly:

READ THE DIRECTIONS all the way through one time. This will speed up the process and help you understand the sequence of steps.

COUNT THE PARTS AND HARDWARE before assembly. This ensures you have received all necessary parts before you begin.

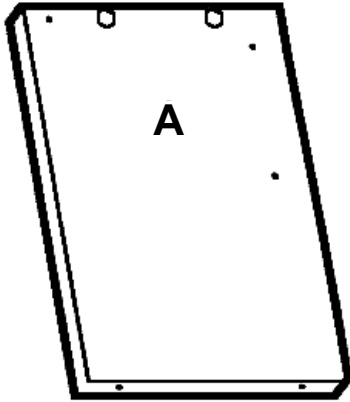
TOOLS: You may need a Phillips head screwdriver, a medium slotted screwdriver or a plastic mallet. To protect your new furniture from damage during assembly, it is recommended to work on a carpeted surface.

In the event any parts are missing from this package, send your name, address, telephone number, and a description of the missing part(s) to: PARTS, Box 1420, Missoula, MT 59806 or call: 1-800-769-5693 or FAX 1-800-445-5281.

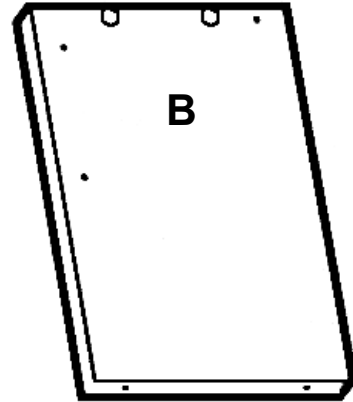
CAUTION: On assemblies requiring glue, make sure the unit is assembled correctly before gluing. Once this unit is assembled with glue, the manufacturer will not be responsible for damaged parts. Keep a damp cloth or sponge handy to wipe off excess glue.

To care for this furniture, simply wipe with a cloth dampened with glass cleaner containing ammonia-D.

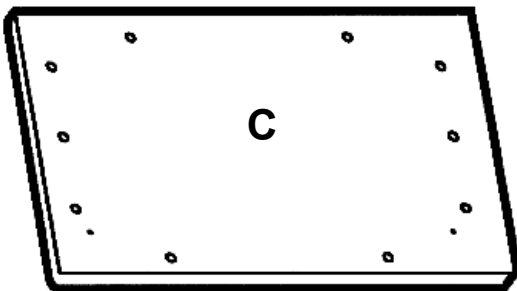
PARTS DIAGRAM



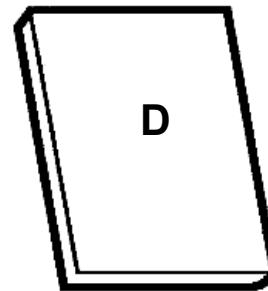
Left Side	05850241	1 ea.
-----------	----------	-------



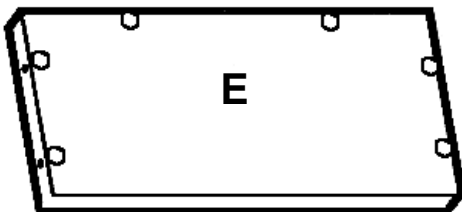
Right Side	05850241	1 ea.
------------	----------	-------



Work Surface	05850201	1 ea.
--------------	----------	-------



Drop Leaf	05850281	1 ea.
-----------	----------	-------

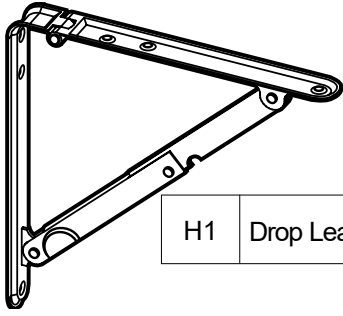


Back	05850252	1 ea.
------	----------	-------



Facia Strip	05850286	1 ea.
-------------	----------	-------

HARDWARE



H1	Drop Leaf Support	401030	2 ea.
----	-------------------	--------	-------



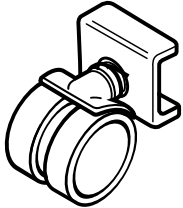
H2	Flat Head Screw	H2040	12 ea.
----	-----------------	-------	--------



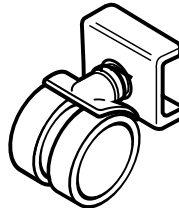
H4	Pan Head Screw	988056	4 ea.
----	----------------	--------	-------



H3	Angle Bracket	401200	2 ea.
----	---------------	--------	-------



H5	Caster	H1192	2 ea.
----	--------	-------	-------



H6	Caster-Locking	H1193	2 ea.
----	----------------	-------	-------



H7	Rafix Flush Cam	909834	12 ea.
----	-----------------	--------	--------



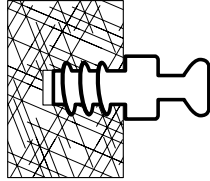
H8	Rafix Bolt	909925	12 ea.
----	------------	--------	--------

Using the Rafix System:

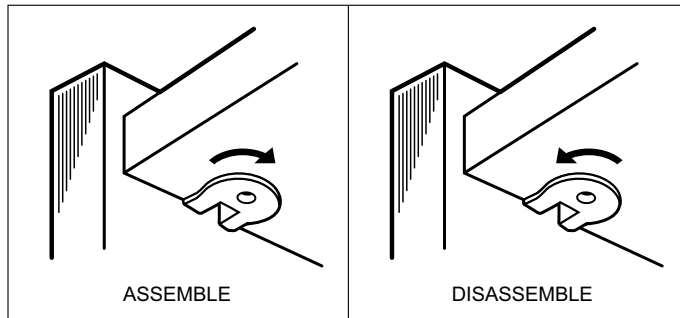
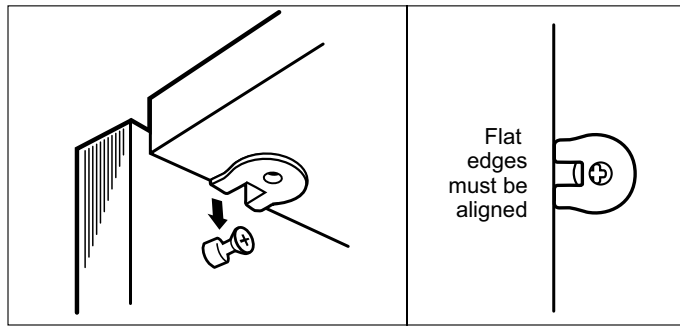
Insert the Rafix Cams into the appropriate holes. The flat edge of the cam should be facing the edge of the panel.

Slide Rafix Cams of the panel to be attached onto the corresponding posts.

When screwing post into hole, **Do Not** over tighten. Screw post down until bottom face of post flange just touches board surface.

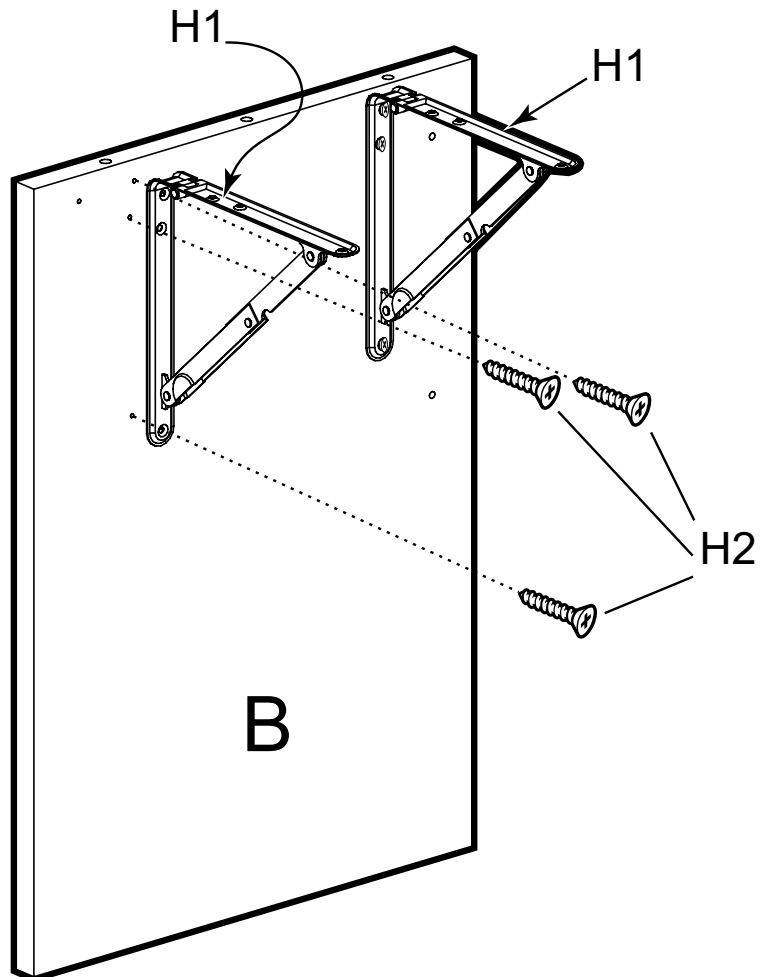
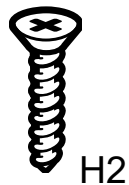


Using a #3 Phillips screwdriver, turn the rotating portion of the Rafix Cam a 1/2 turn clockwise to secure. **IMPORTANT!** Do not exceed 1/2 turn when tightening cams. Turn 1/2 turn counterclockwise to disassemble and remove panel.



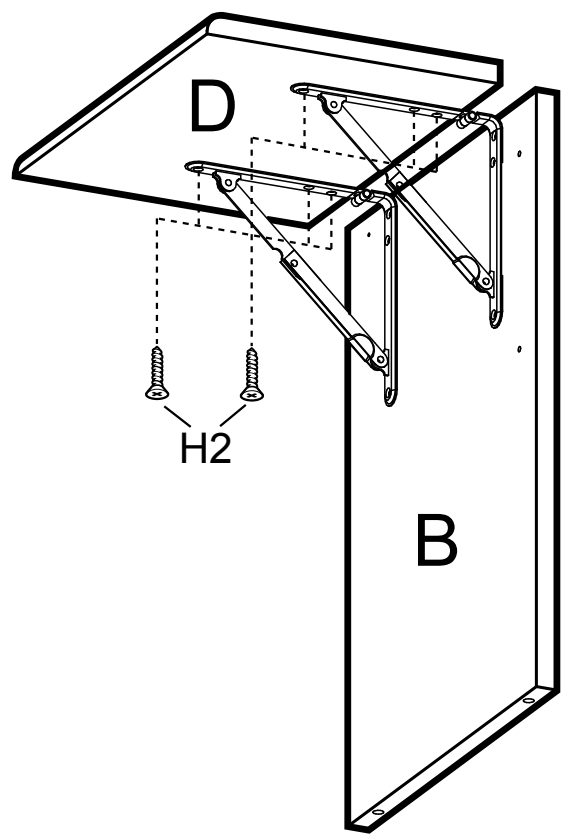
#1

Attach two Drop Leaf Support (H1) to the Right Side (B) using six Flat Head Screws (H2) in the pre-drilled holes as shown.



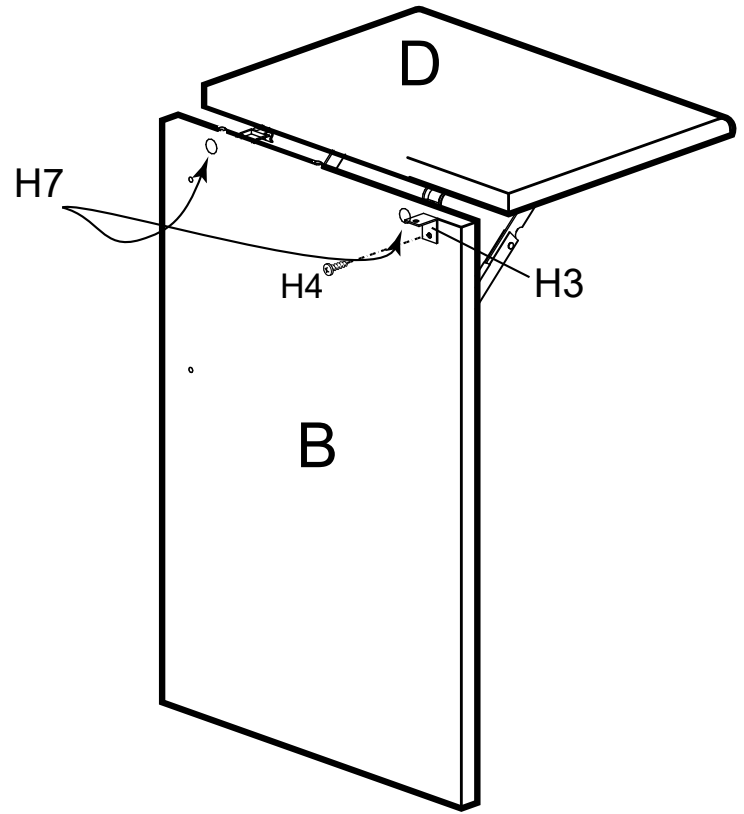
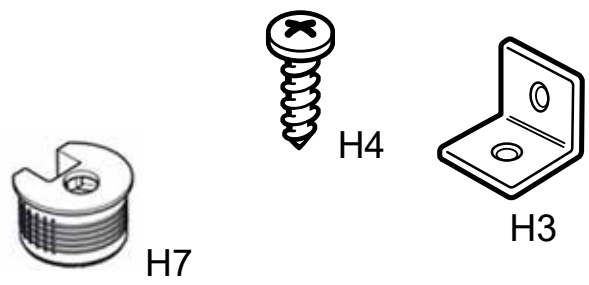
#2

Attach the Drop Leaf (D) using six Flat Head Screws (H2) as shown.



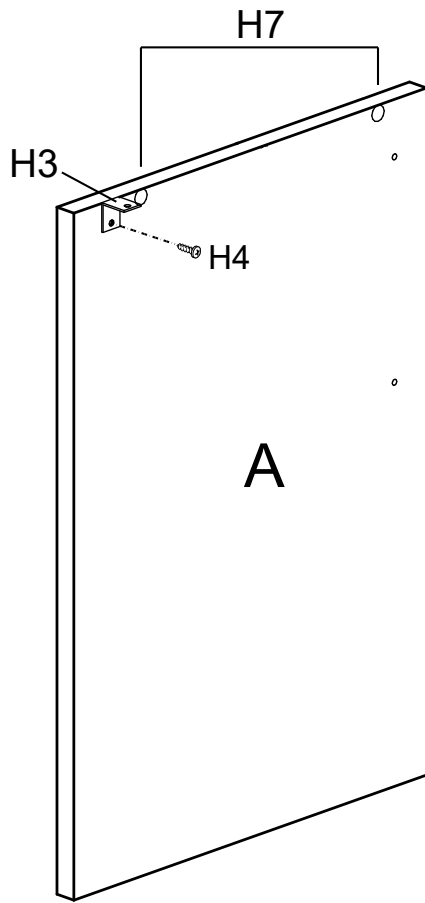
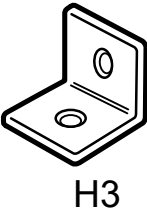
#3

Attach an Angle Bracket (H3) to the Right Side (B) using a Panhead Screw (H4) in the predrilled hole as shown. Insert 2 Flush Rafx cams (H7) in to side B.



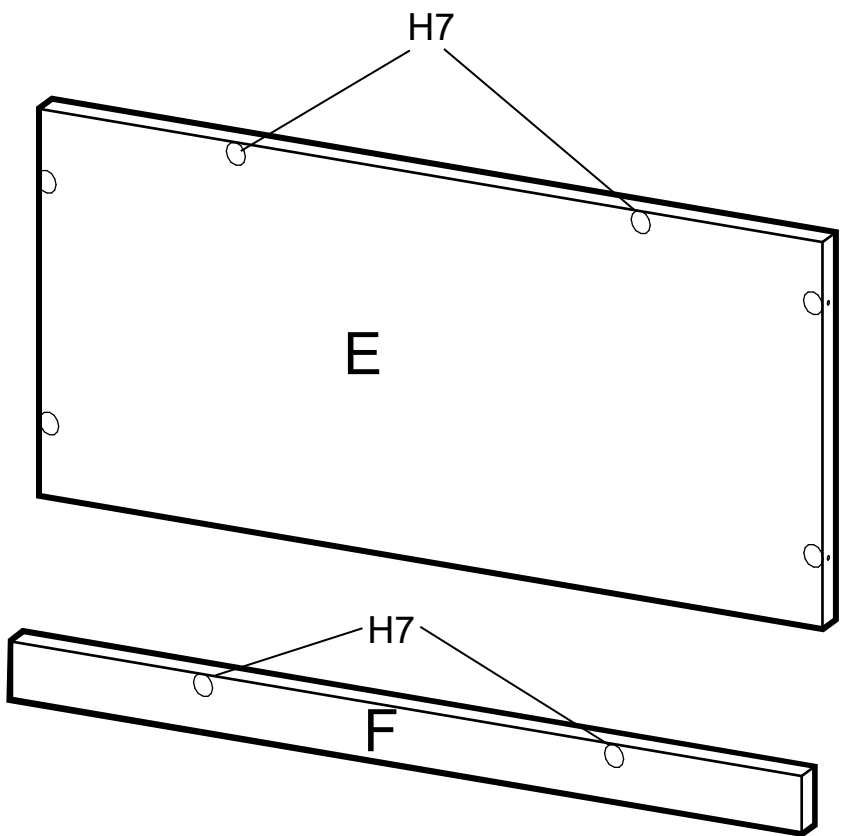
#4

Follow the same procedure as Step #3 for the Left Side (A).



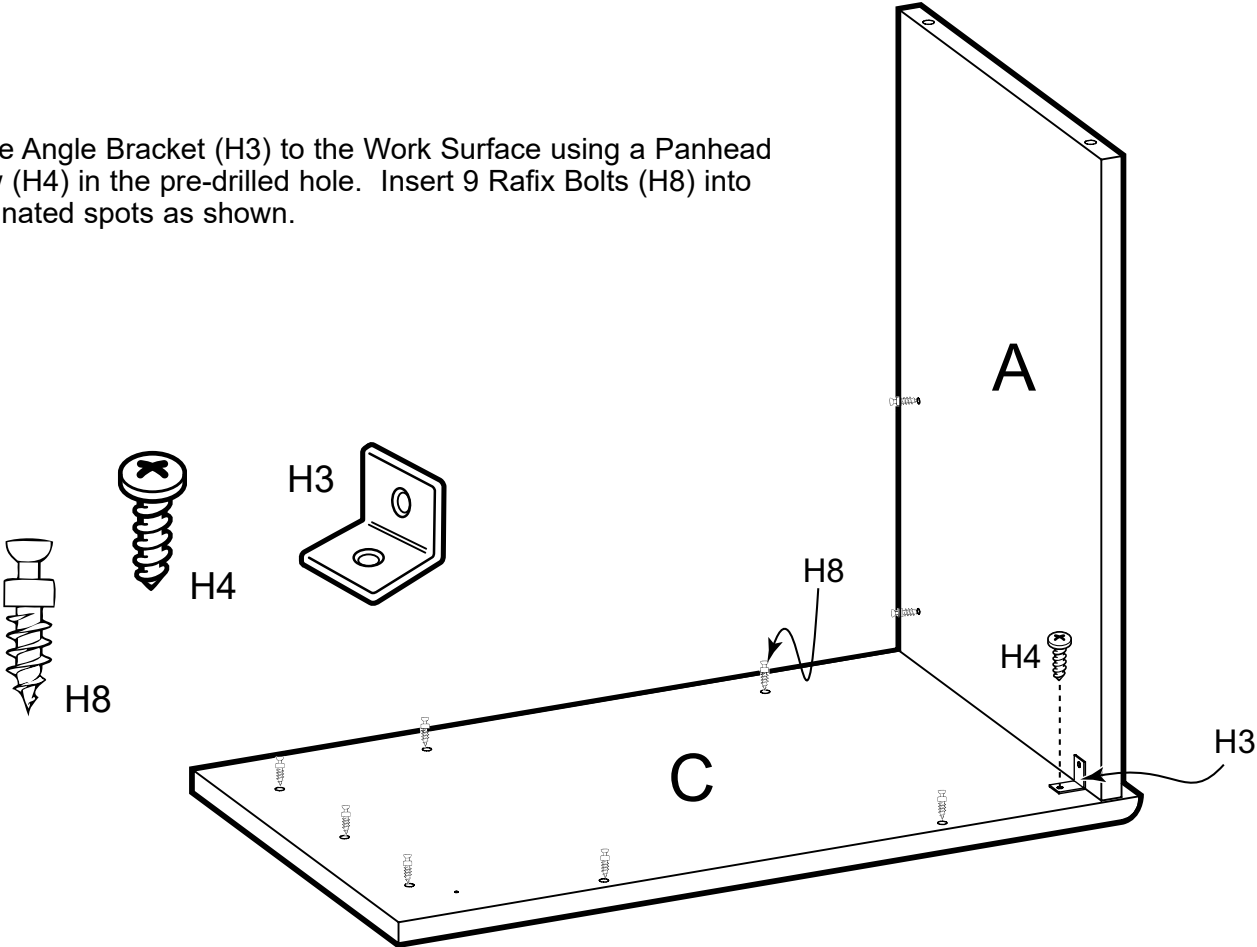
#5

Insert 6 Flush Rifax cams (H7) into the Back Panel (E) and 2 Flush Rifax cams into the Facia Strip (F)



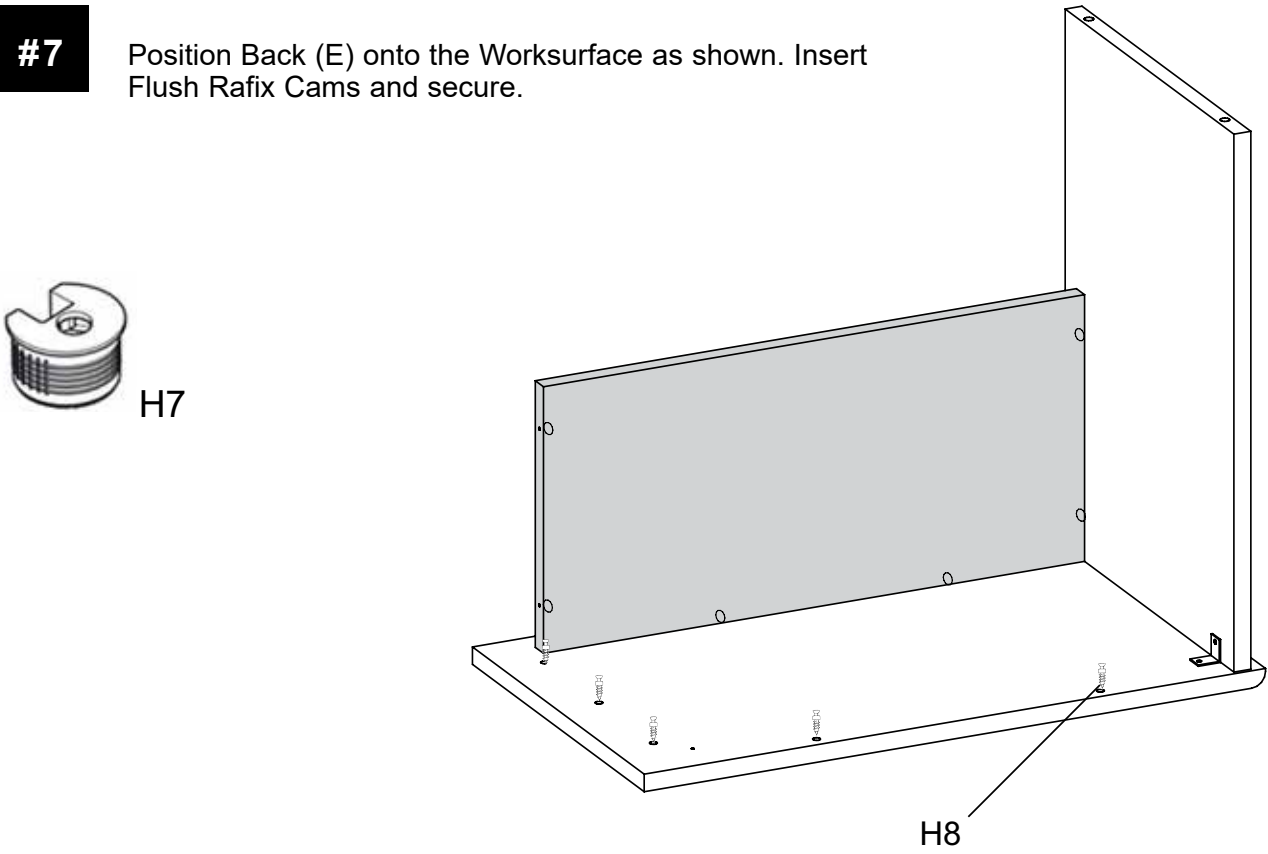
#6

Secure Angle Bracket (H3) to the Work Surface using a Panhead Screw (H4) in the pre-drilled hole. Insert 9 Rafix Bolts (H8) into designated spots as shown.



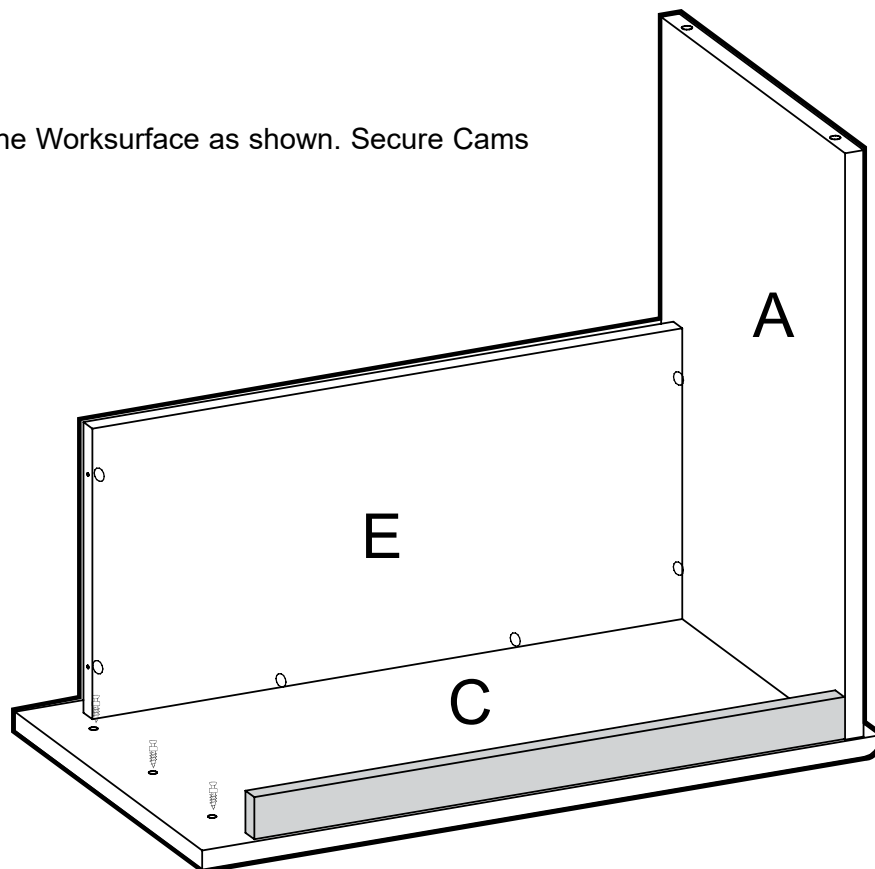
#7

Position Back (E) onto the Worksurface as shown. Insert Flush Rafix Cams (H7) and secure.



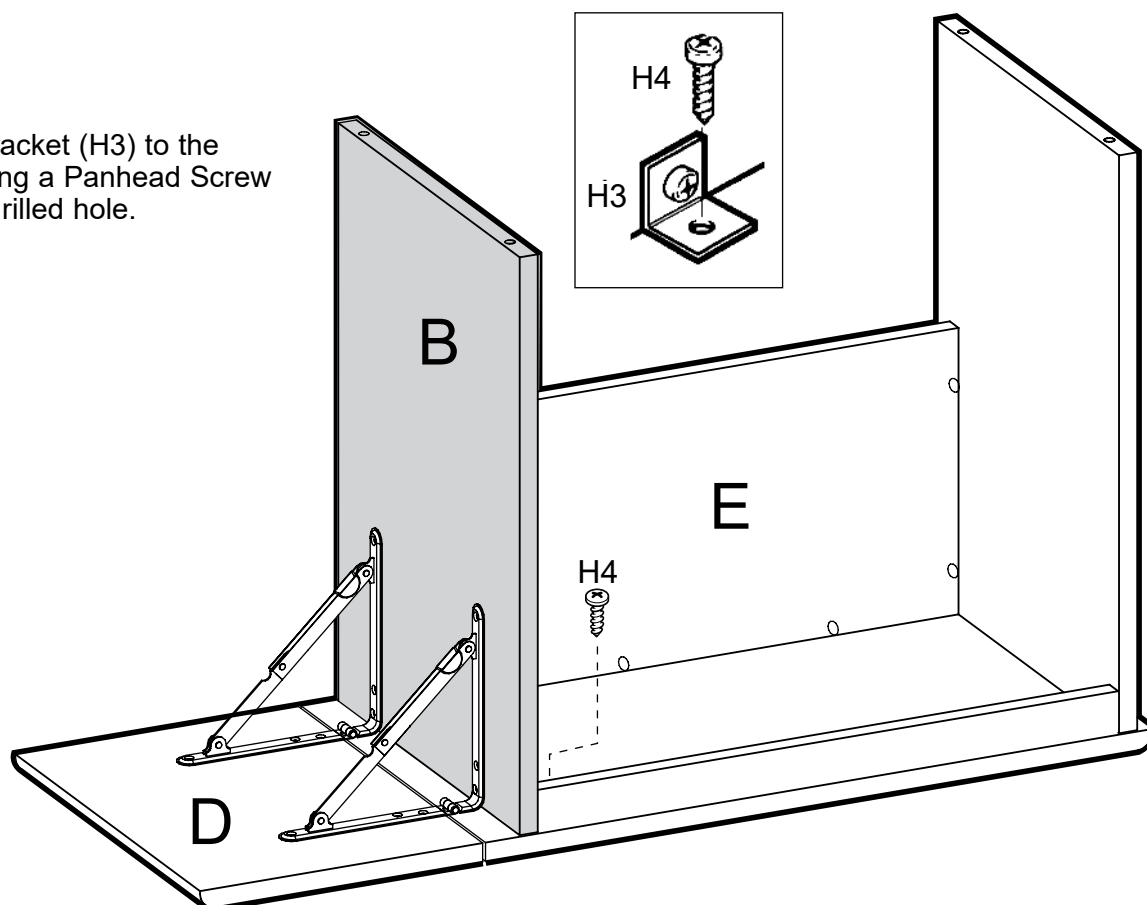
#8

Position Facia Strip (F) onto the Worksurface as shown. Secure Cams



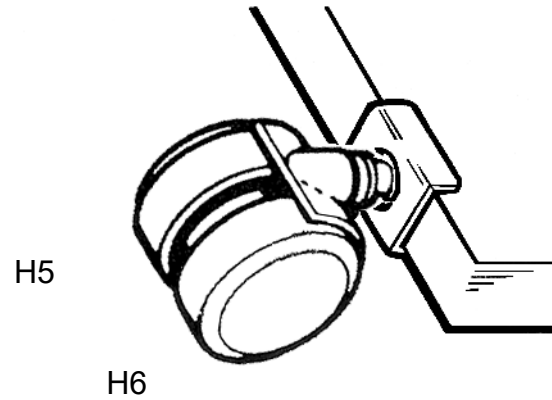
#9

Secure Angle Bracket (H3) to the Worksurface using a Panhead Screw (H4) in the pre-drilled hole.



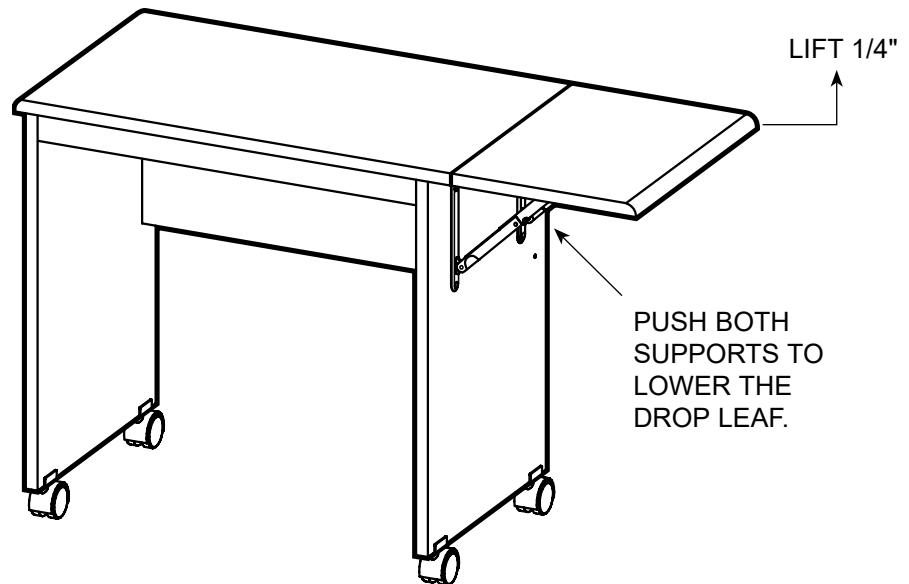
#10

Attach the both the caster and locking
caster to the bottom as shown.



#11

Allow about ten minutes for
the glue to set, then turn the
unit upright.



Your Typing Stand is now completely assembled and ready to use.