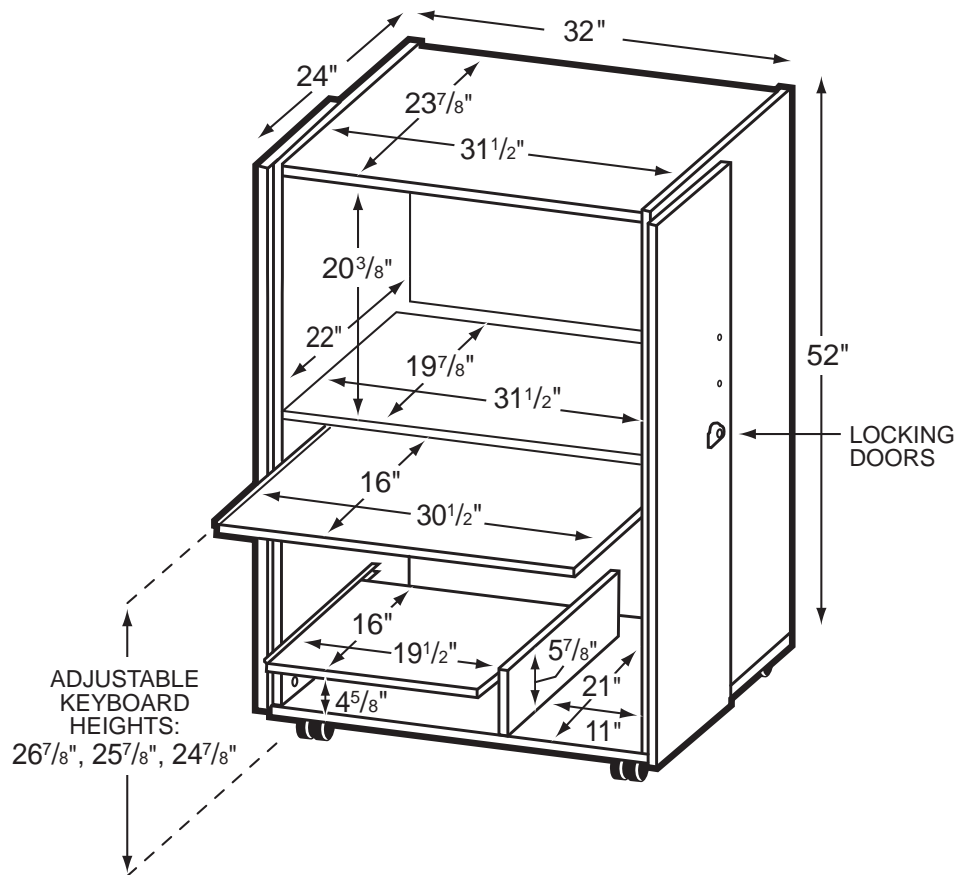


TSU

Tower Security Unit



Product Specs

- 1" thermal fused laminate bottom
- $\frac{3}{4}"$ thermal fused laminate
- Cam and post construction
- Matched edge banding
- Fixed storage shelf
- Keyboard shelf on 2/3 extension steel slide
- Pull out printer shelf on 2/3 extension steel slide
- Tower storage area
- Locking doors with 270 deg. hinge
- 4" plate casters (2 locking)

0117