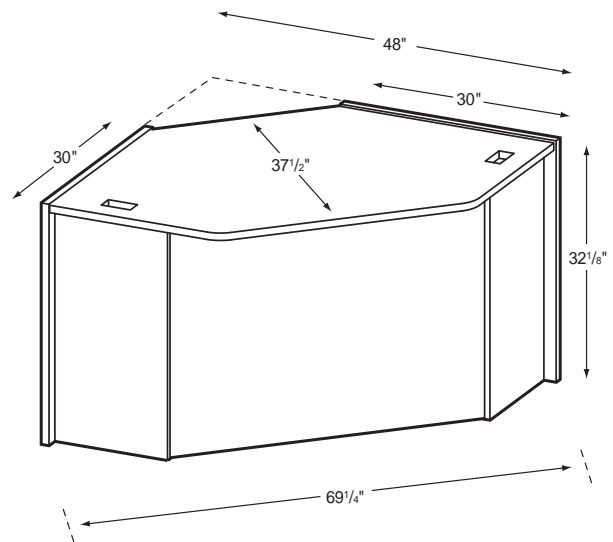
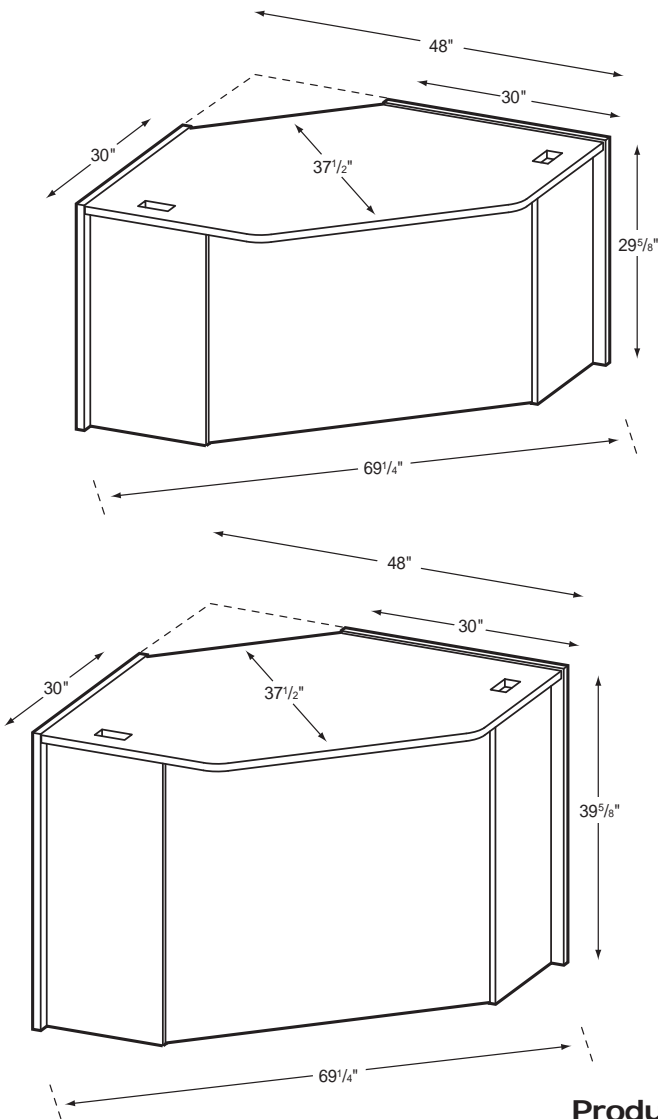


# CDCU29-32-39

## Corner Unit



### Product Specs

- 1" thermal fused laminate sides and top
- 3/4" thermal fused laminate modesty, shelf and kick
- Cam and post construction
- Matched edge banding
- Four - 2"x 4" grommets with covers
- Adjustable leveling glides