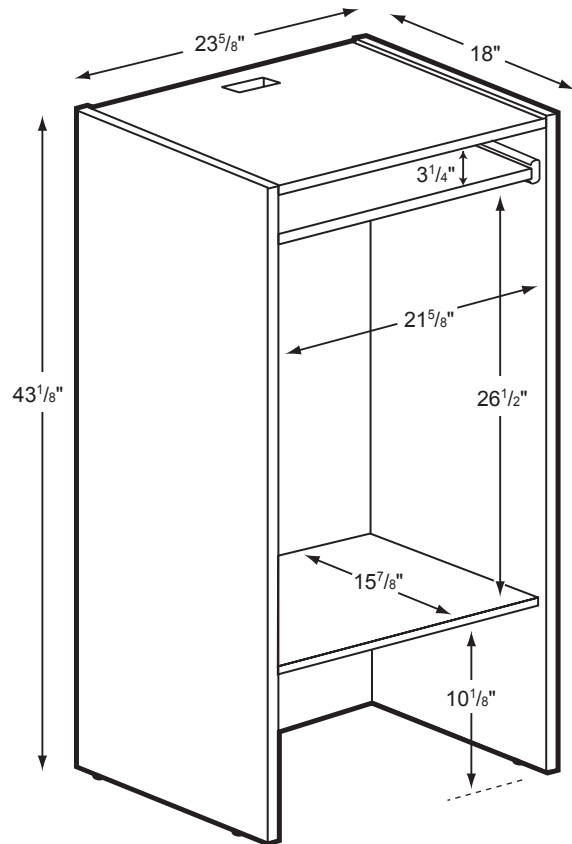
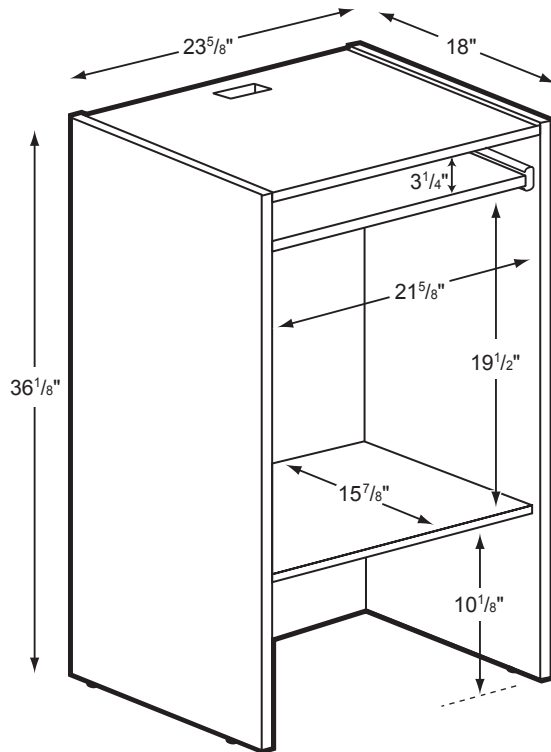


ECW32-39

Computer Workstation



Product Specs

- 1" thermal fused laminate sides
- 3/4" thermal fused laminate top, back and shelves
- Cam and post construction
- Matched edge banding
- Fixed storage shelf
- Pull-out keyboard on full extension steel slide
- Two - 2"x 4" grommets with covers
- Adjustable leveling glides

0208