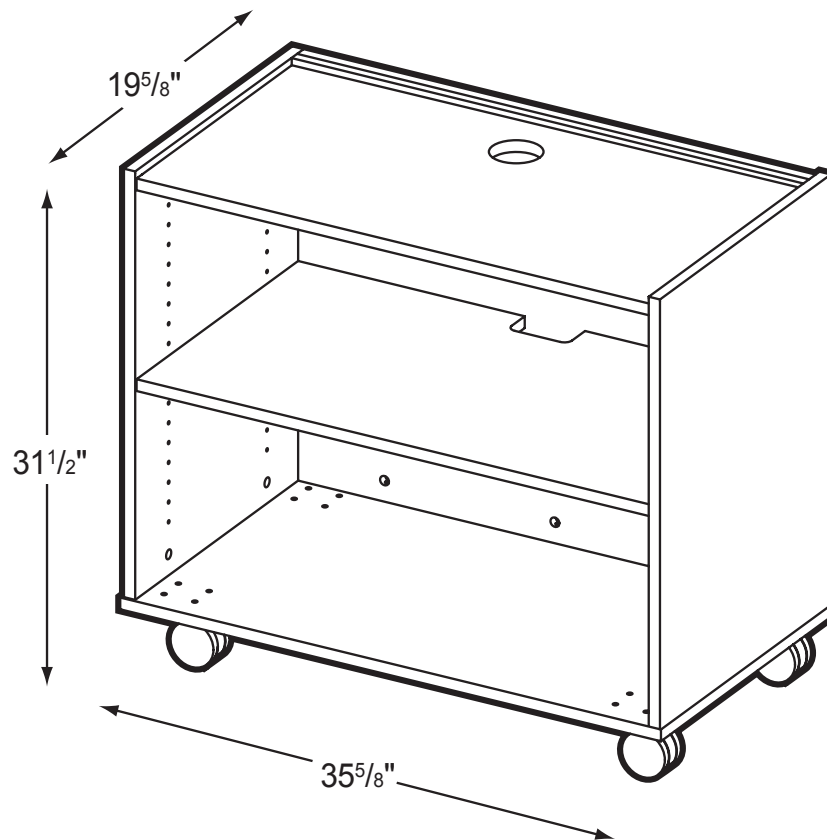


# LPC

## Lectern Projector Cart



### Product Specs

- 3/4" thermal fused laminate
- Cam and post construction
- Matched edge banding
- Adjustable shelf on 1-1/4" increments
- 1 - 80mm grommet with cover
- 2" plate casters (2 locking)

0208