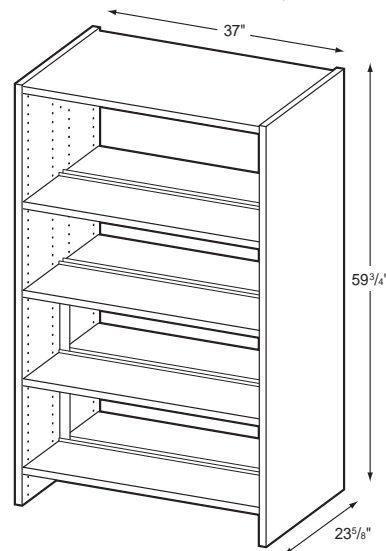
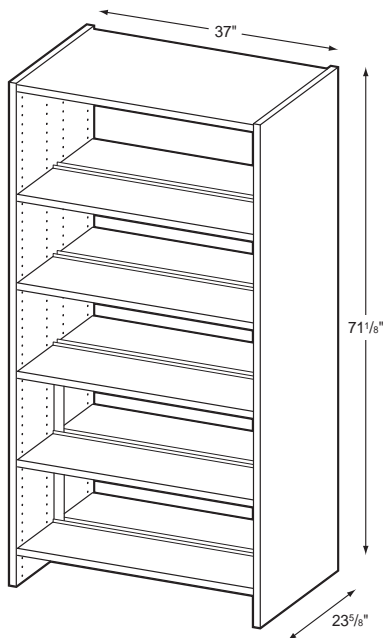
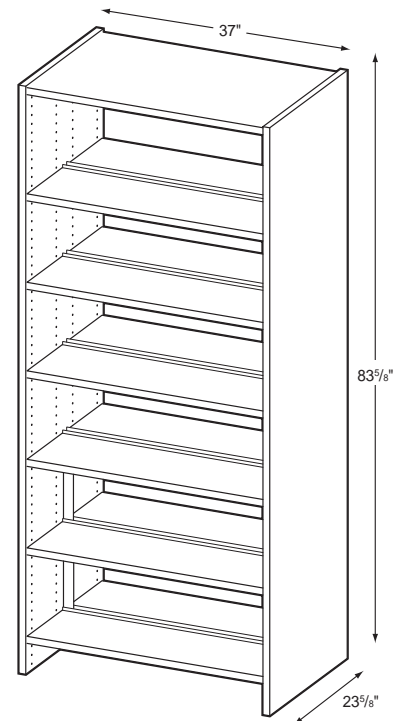
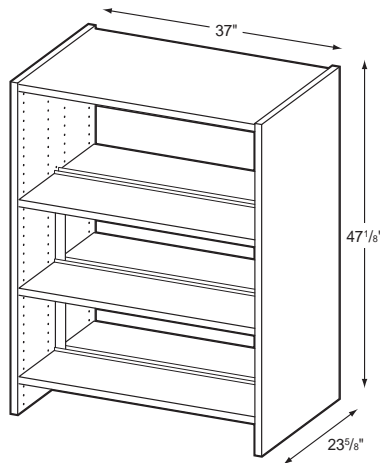
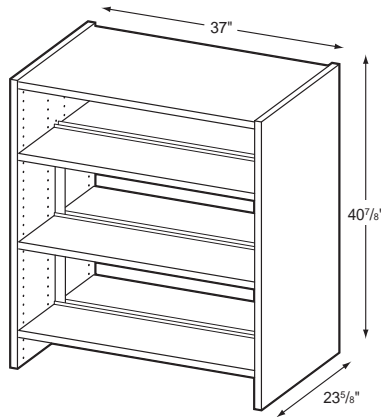


LSDB

Double-Face Base



Product Specs

- 1" thermal fused laminate top, sides, bottom and shelves
- Matched edge banding
- 16 gage welded support frame
- 16 gage shelf support and book stop
- Powder coat finish
- Tab V locking shelf pins
- Tab V adjustable shelf pins

0208