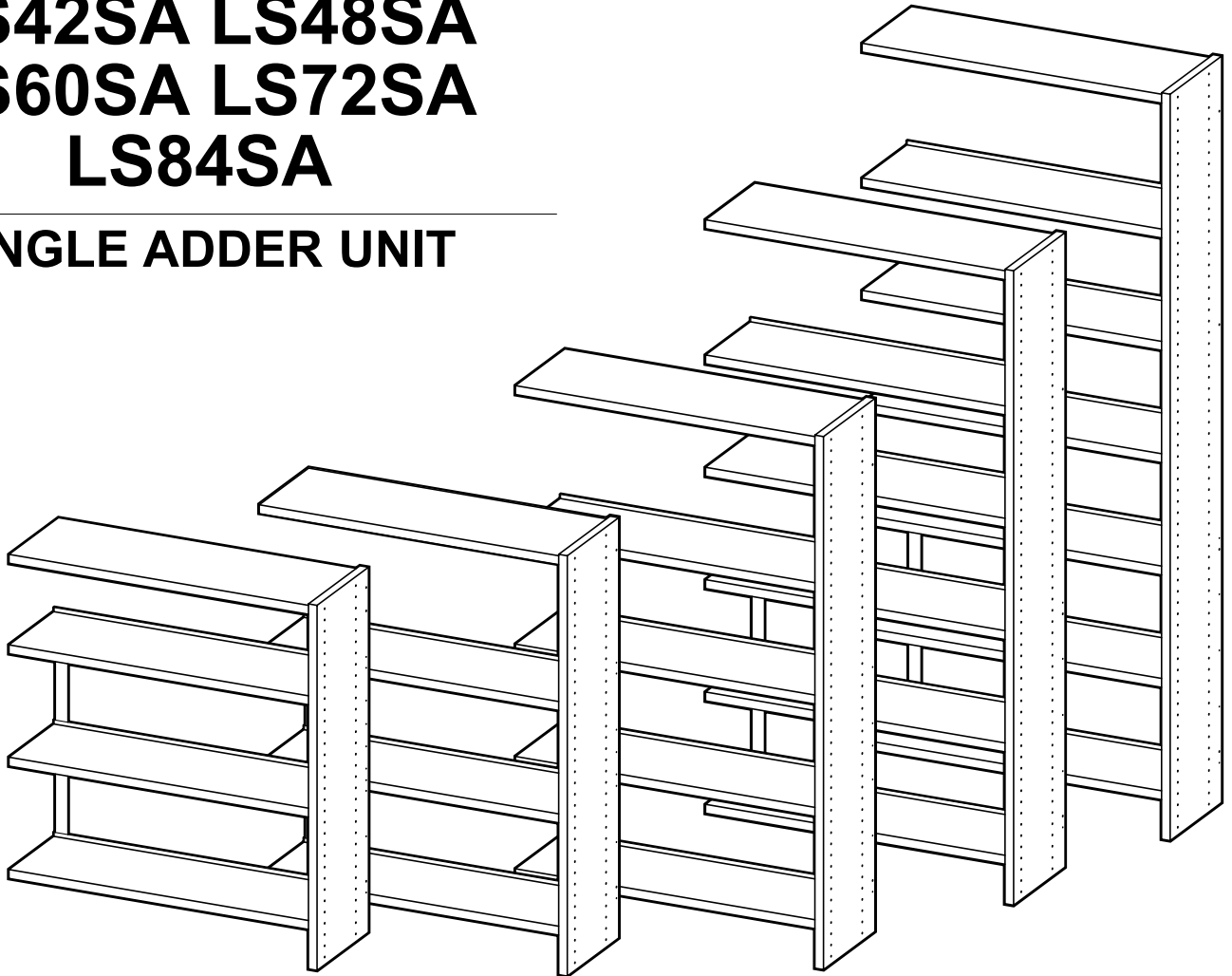




BY  **IRONWOOD**

LIBRARY SHELVING UNIT
LS42SA LS48SA
LS60SA LS72SA
LS84SA

SINGLE ADDER UNIT



Thank you for purchasing Ironwood Shelving. Please consult your local building codes when installing shelving. It is recommended that all single face shelving be attached to the wall, while double face shelving over 60" in height should be attached to the floor. These are guide lines and vary from state to state.

IMPORTANT!

Assembly may require the assistance of another person.

Before you begin assembly:

READ THE DIRECTIONS all the way through one time. This will speed up the process and help you understand the sequence of steps.

COUNT THE PARTS AND HARDWARE before assembly. This ensures you have received all necessary parts before you begin.

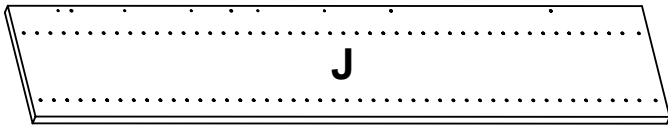
TOOLS: You may need a Phillips head screwdriver, a medium slotted screwdriver or a plastic mallet. To protect your new furniture from damage during assembly, it is recommended to work on a carpeted surface.

In the event any parts are missing from this package, send your name, address, telephone number, and a description of the missing part(s) to: **PARTS, Box 1420, Missoula, MT 59806** or call: **1-800-769-5693** or **FAX 1-800-445-5281**.

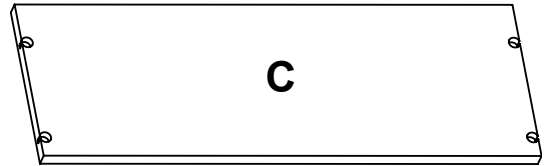
CAUTION: On assemblies requiring glue, make sure the unit is assembled correctly before gluing. Once this unit is assembled with glue, the manufacturer will not be responsible for damaged parts. Keep a damp cloth or sponge handy to wipe off excess glue.

To care for this furniture, simply wipe with a cloth dampened with glass cleaner containing ammonia-D.

PARTS DIAGRAM



Divider - LS42SA	01200144	1 ea.
Divider - LS48SA		1 ea.
Divider - LS60SA		1 ea.
Divider - LS72SA		1 ea.
Divider - LS84SA		1 ea.



Top	01200101	1 ea.
-----	----------	-------

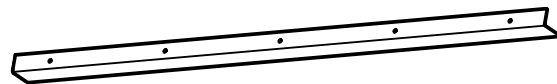


Fixed/ Adjustable Shelf	LS42SA	01200124	3 ea.
	LS48SA		3 ea.
	LS60SA		4 ea.
	LS72SA		5 ea.
	LS84SA		6 ea.

HARDWARE



H1	Rafix Cam	909909	LS42SA - 8 ea. LS48SA - 8 ea. LS60SA - 8 ea. LS72SA - 8 ea. LS84SA - 8 ea.
----	-----------	--------	--



H2	Book Stop	412226	LS42SA - 3 ea. LS48SA - 3 ea. LS60SA - 4 ea. LS72SA - 5 ea. LS84SA - 6 ea.
----	-----------	--------	--



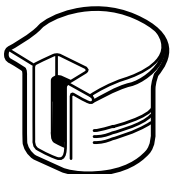
H3	# 8 x 5/8" Panhead Screw	988056	LS42SA - 25 ea. LS48SA - 25 ea. LS60SA - 30 ea. LS72SA - 35 ea. LS84SA - 40 ea.
----	--------------------------------	--------	---



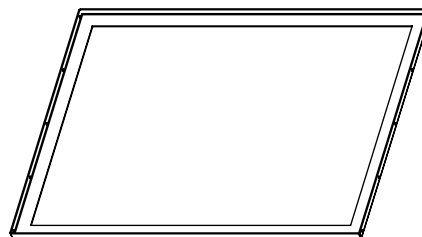
H4	Rafix Bolt	909923	8 ea.
----	------------	--------	-------



H6	Rafix Shelf Pin	909924	LS42SA - 8 ea. LS48SA - 8 ea. LS60SA - 12 ea. LS72SA - 16 ea. LS84SA - 20 ea.
----	--------------------	--------	---



H5	Rafix Shelf Cam	909912	LS42SA - 8 ea. LS48SA - 8 ea. LS60SA - 12 ea. LS72SA - 14 ea. LS84SA - 20 ea.
----	--------------------	--------	---



H7	Metal Frame	412026	1 ea.
----	-------------	--------	-------

If you have purchased the Back option or the Toe Space option to be assembled in conjunction with this Base unit,

It is important to read through the Back option and/or Toe Space option directions before beginning.

NOTE:

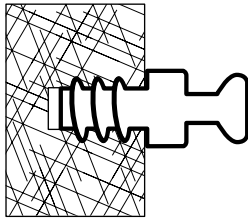
**The diagrams show one size for ease of viewing.
Any differences will be indicated in each step's text.**

Using the Rafix System:

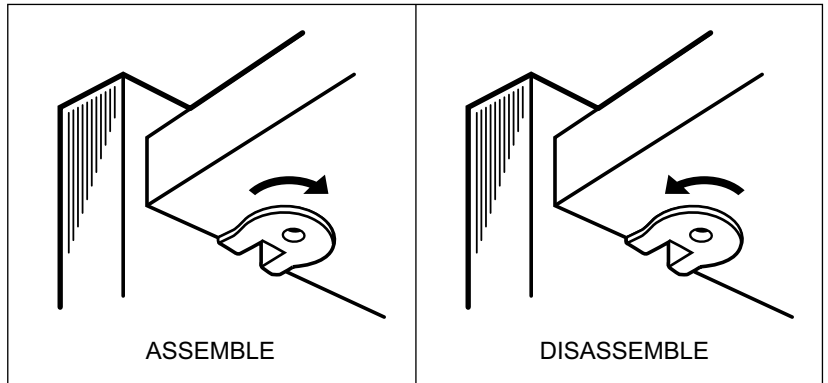
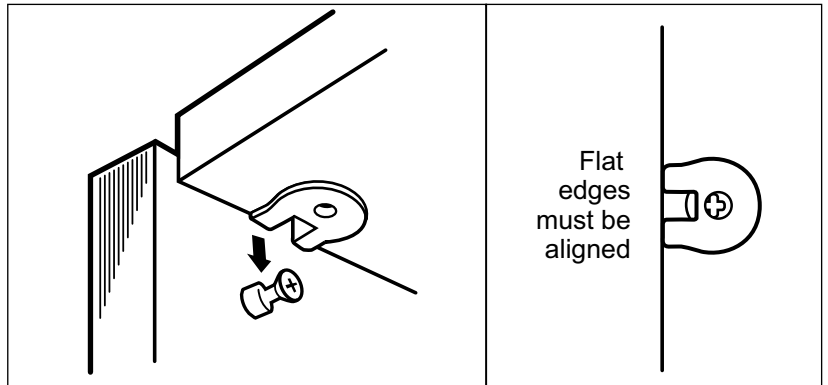
Insert the Rafix Cams into the appropriate holes. The flat edge of the cam should be facing the edge of the panel.

Slide Rafix Cams of the panel to be attached onto the corresponding posts.

When screwing post into hole, **Do Not** over tighten. Screw post down until bottom face of post flange just touches board surface.

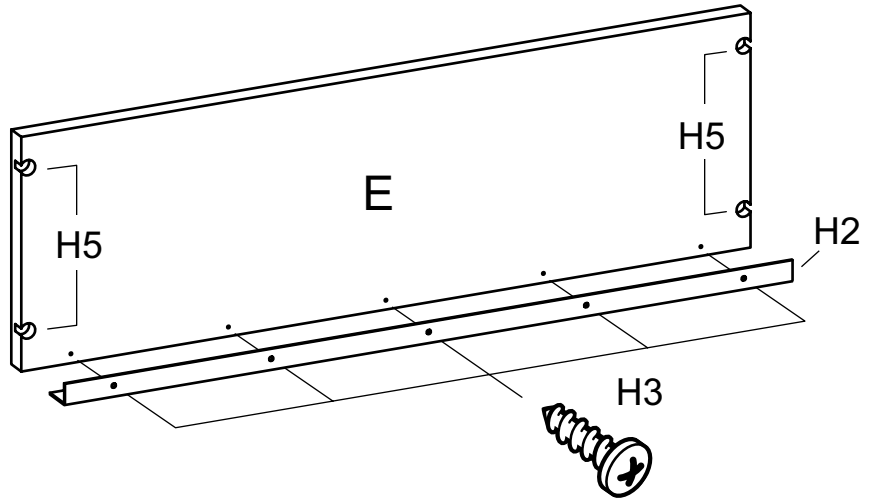


Using a #3 Phillips screwdriver, turn the rotating portion of the Rafix Cam a 1/2 turn clockwise to secure. **IMPORTANT!** Do not exceed 1/2 turn when tightening cams. Turn 1/2 turn counterclockwise to disassemble and remove panel.

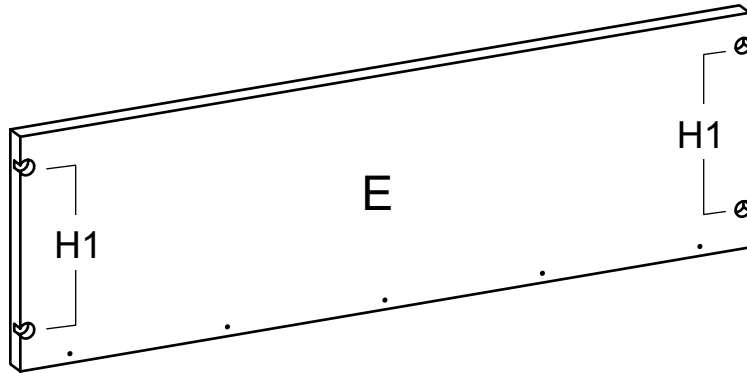


#1

Install four Rafix Shelf Cams (H5) into each adjustable shelf. Attach a Book Stop (H2) to each Fixed/Adjustable Shelf (E) using five Panhead Screws (H3) in the pre-drilled holes.

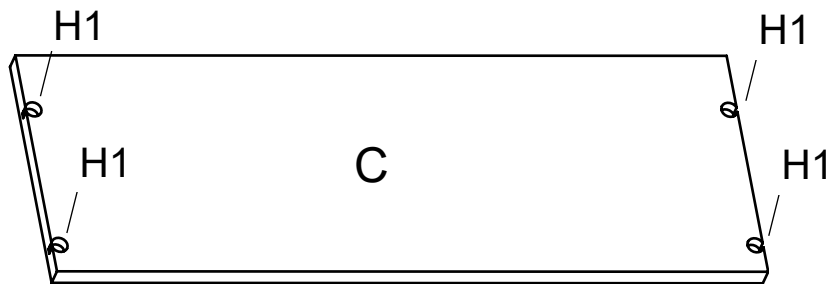


Install four Rafix Cams(H1) into each fixed shelf



#2

Install four Rafix Cams(H1) into the Top Panel (C) as shown.

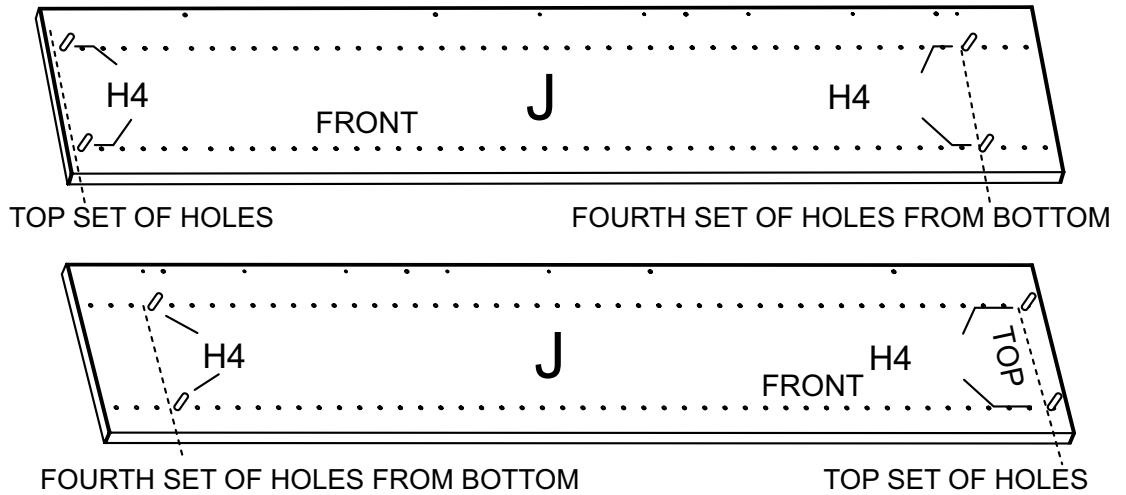


#3

Place the Divider (J) on a clean, carpeted surface as shown. Place Rafix bolts (H4) in each Side Panel into the selected pre-drilled holes as indicated into each side of the panel.



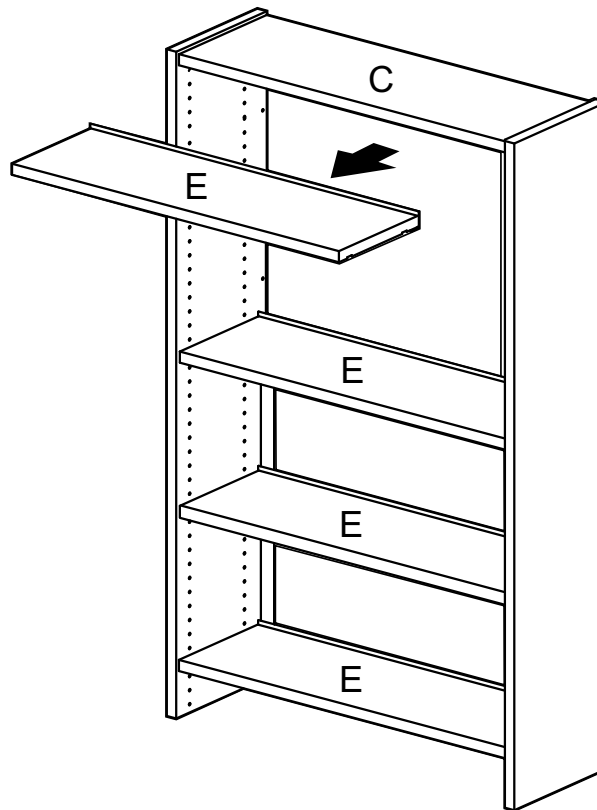
H4



#4

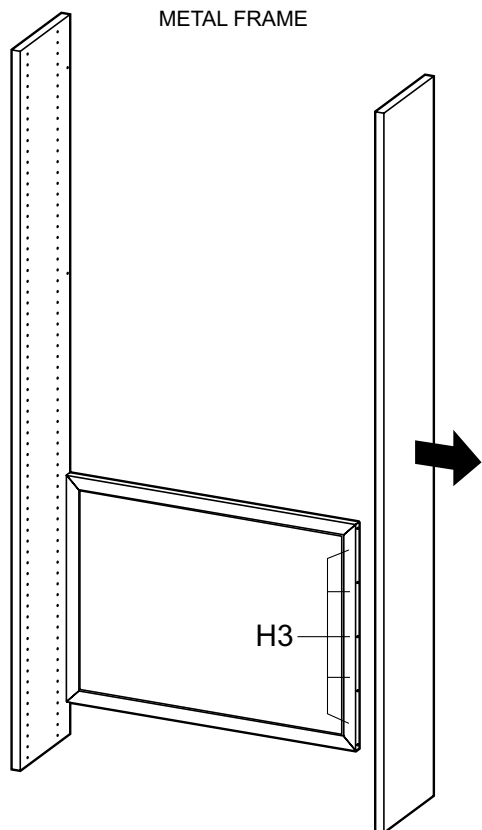
If you are attaching the Adder unit to a previously assembled Base unit, it will be necessary to partially disassemble the unit.

Remove all the Shelves (E) and Top (C).

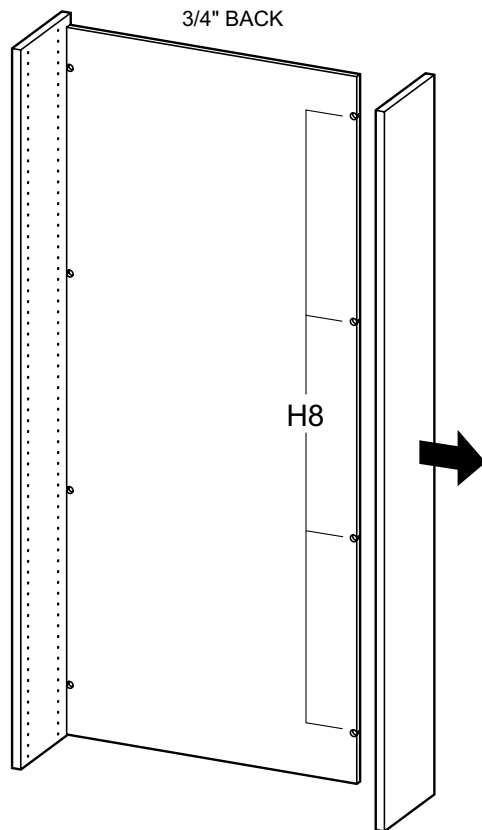


#5

With the assistance of another person, remove one Side Panel.



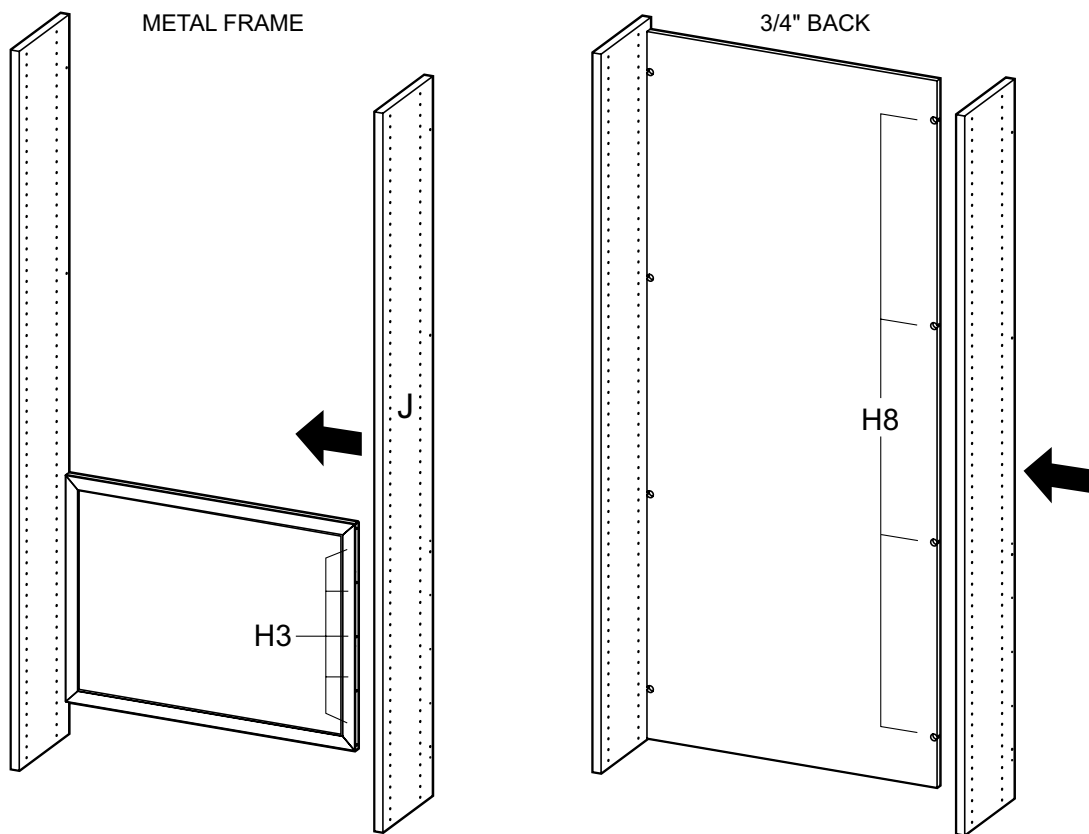
Remove five Panhead Screws (H3).



Turn Rafix Cams (H1) 1/2 turn counter clockwise to loosen.

#6

Attach the Divider Panel (J).

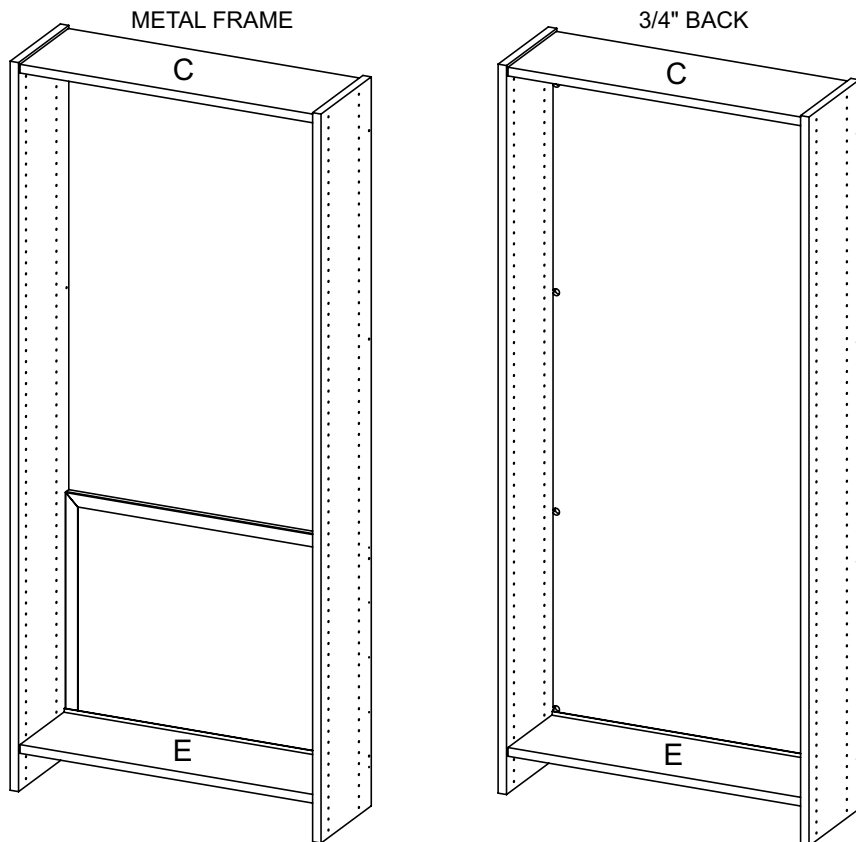


Use five #8 x 5/8" Panhead Screws (H3).

Turn Rafix Cams (H1) 1/2 turn clockwise to tighten.

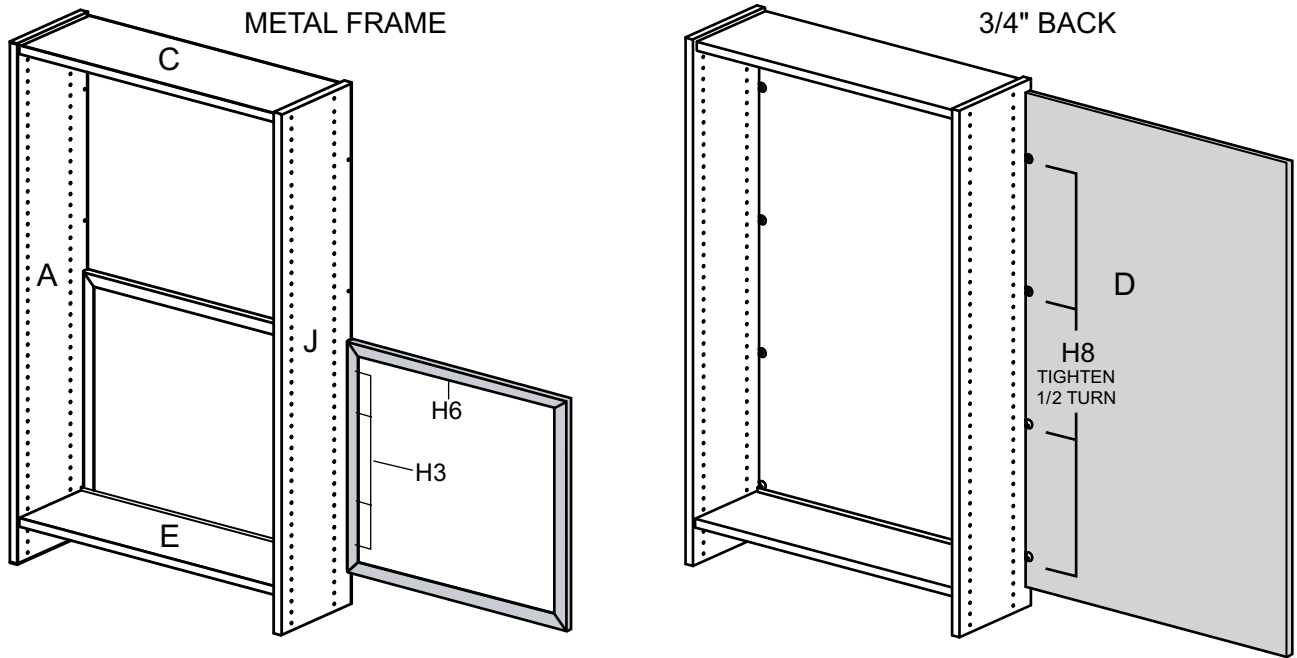
#7

Attach the Top Panel (C) and the Fixed Shelf (G). Be sure to turn the Rafix cams (H1) 1/2 turn to tighten.



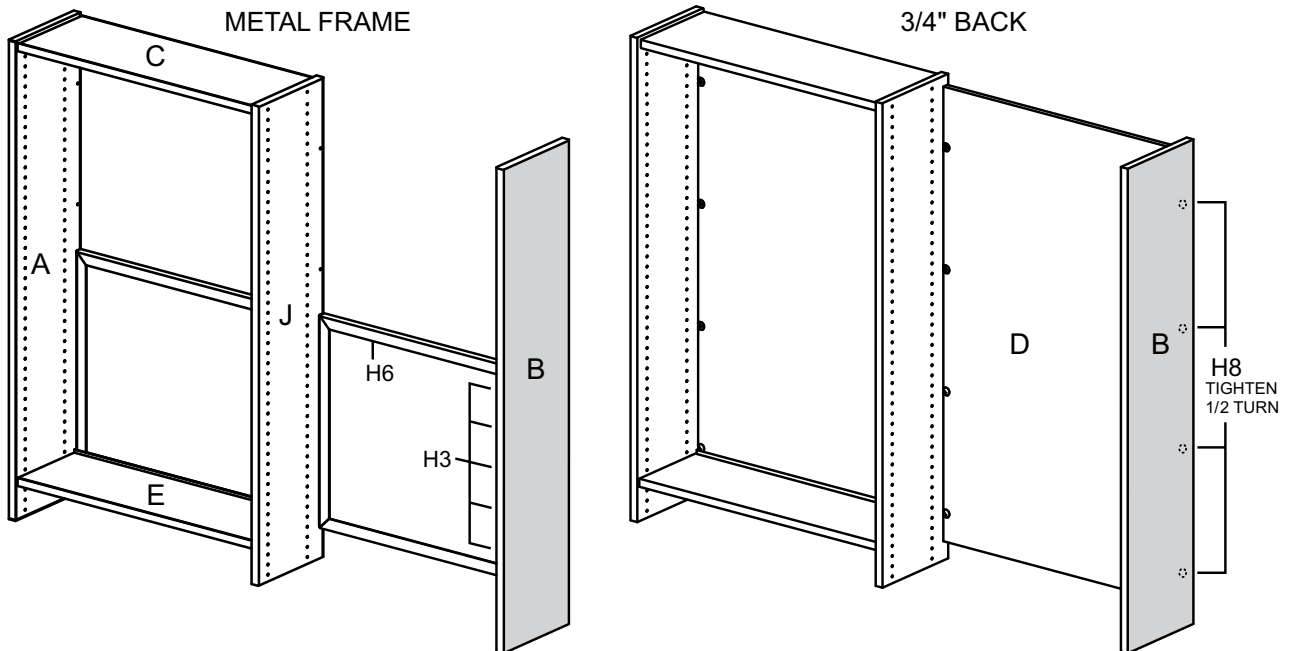
#8

Attach either a Metal Frame (H6) or Back Panel (D) as shown.



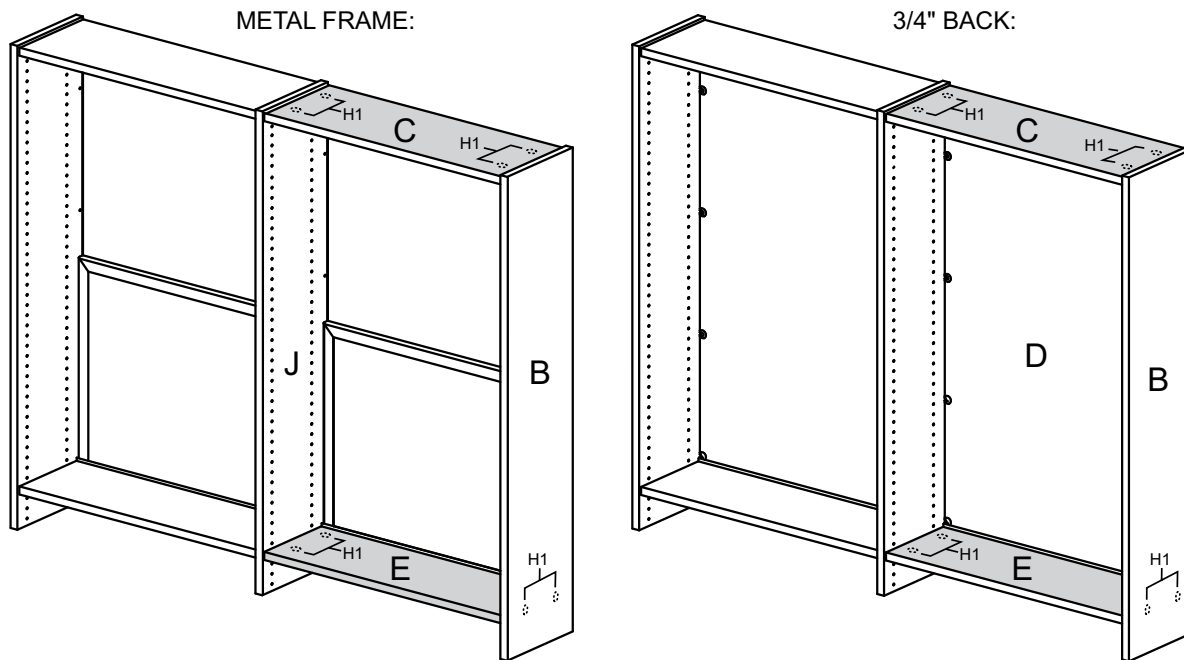
#9

Attach the Right Side (B) as shown. For a metal Frame use five Panhead Screws (H3). For a 3/4\" Back, lock the Rafix Cams (H8).



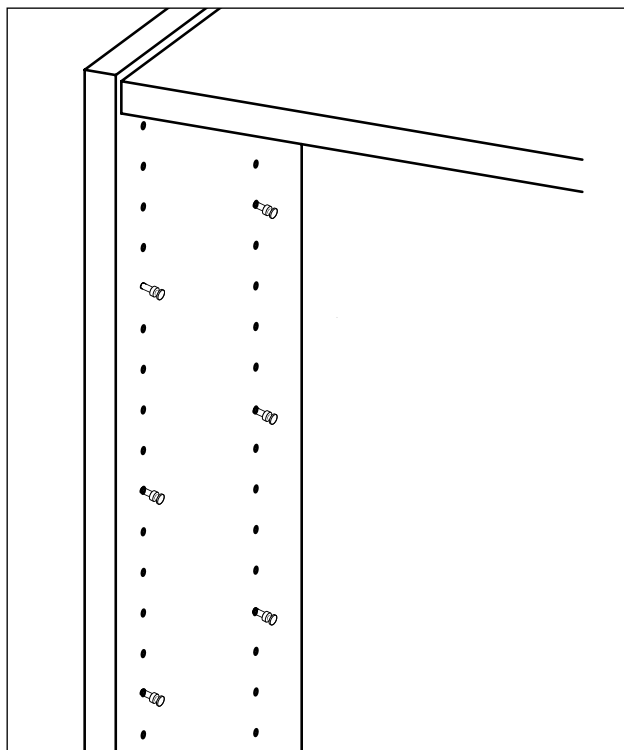
#10

Assemble the Top Panel (C) and the Fixed Shelf (E) to the unit as shown. Lock the Tab-V Cams (H1) to secure the parts in place.



#11

Insert rafix shelf pins (H6) at desired shelf heights. Place the Adjusting Shelves (E) in the unit.



#12

Your Glacier Library Shelving Unit is now assembled and ready for use.

