



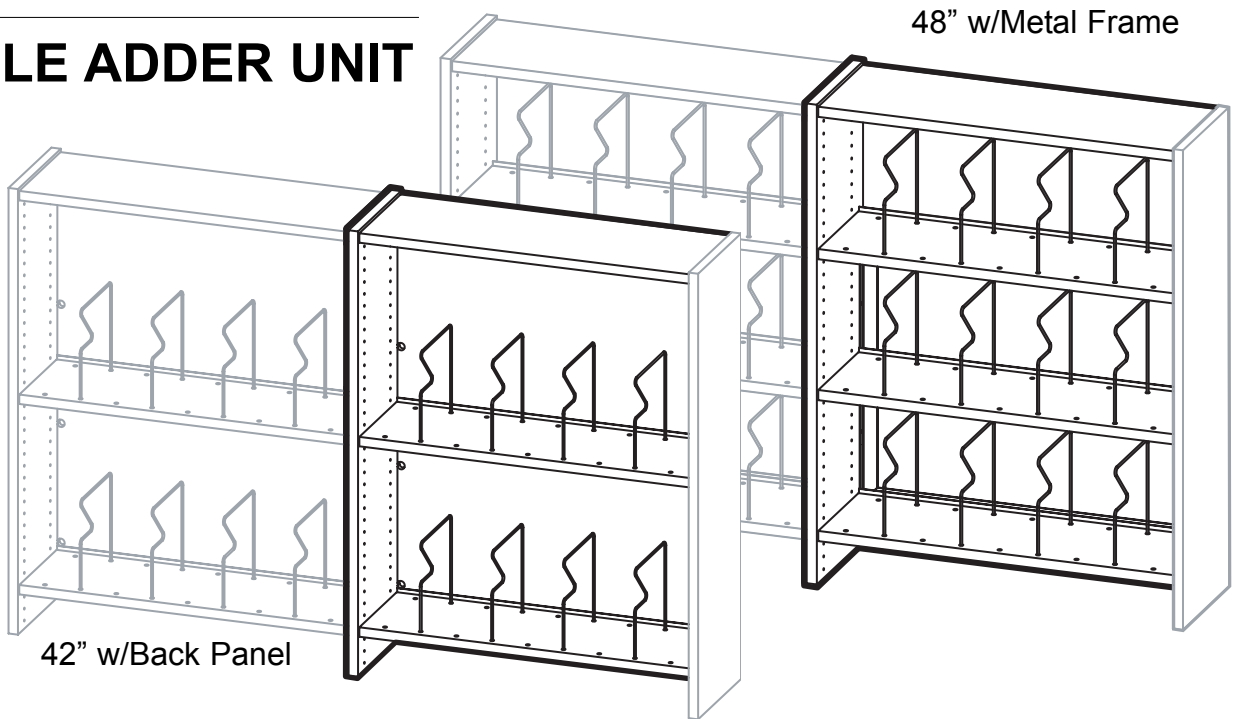
BY  **IRONWOOD**

PICTURE BOOK SHELVING

PBS42SA

PBS48SA

SINGLE ADDER UNIT



IMPORTANT!

Assembly may require the assistance of another person.

Before you begin assembly:

READ THE DIRECTIONS all the way through one time. This will speed up the process and help you understand the sequence of steps.

COUNT THE PARTS AND HARDWARE before assembly. This ensures you have received all necessary parts before you begin.

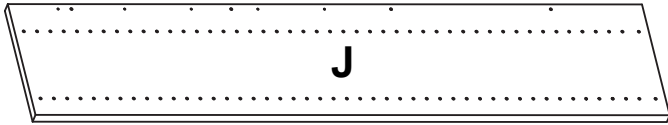
TOOLS: You may need a Phillips head screwdriver, a medium slotted screwdriver or a plastic mallet. To protect your new furniture from damage during assembly, it is recommended to work on a carpeted surface.

In the event any parts are missing from this package, send your name, address, telephone number, and a description of the missing part(s) to: **PARTS, Box 1420, Missoula, MT 59806** or call: **1-800-769-5693** or FAX **1-800-445-5281**.

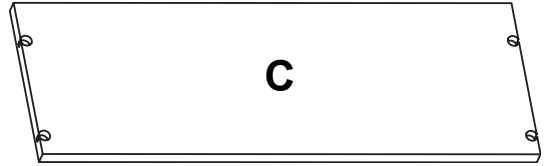
CAUTION: On assemblies requiring glue, make sure the unit is assembled correctly before gluing. Once this unit is assembled with glue, the manufacturer will not be responsible for damaged parts. Keep a damp cloth or sponge handy to wipe off excess glue.

To care for this furniture, simply wipe with a cloth dampened with glass cleaner containing ammonia-D.

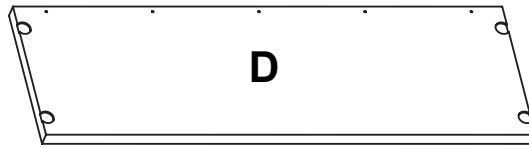
PARTS DIAGRAM



| | | |
|-------------------|----------|-------|
| Divider - PBS42SA | 01020144 | 1 ea. |
| Divider - PBS48SA | 01020444 | 1 ea. |



| | | |
|-----|----------|-------|
| Top | 01020102 | 1 ea. |
|-----|----------|-------|

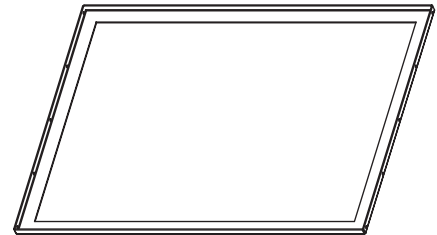


| | | | |
|---------|---------|----------|-------|
| Shelves | PBS42SA | 01024721 | 2 ea. |
| | PBS48SA | | 3 ea. |

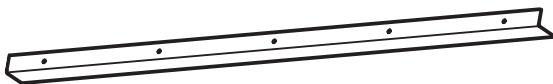
HARDWARE



| | | | |
|----|-----------------------------|--------|--------|
| H1 | Tab-V Plastic Housing - 42" | 909930 | 12 ea. |
| | Tab-V Plastic Housing - 48" | | 16 ea. |



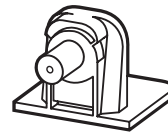
| | | | |
|----|-------------|--------|-------|
| H6 | Metal Frame | 412026 | 1 ea. |
|----|-------------|--------|-------|



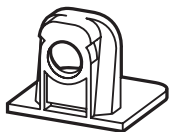
| | | | |
|----|-----------------|--------|-------|
| H2 | Book Stop - 42" | 412226 | 2 ea. |
| | Book Stop - 48" | | 3 ea. |



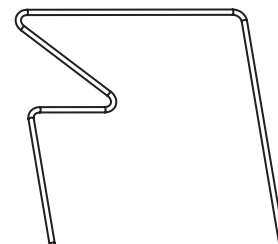
| | | | |
|----|---------------------|--------|--------|
| H3 | Panhead Screw - 42" | 988056 | 20 ea. |
| | Panhead Screw - 48" | | 25 ea. |



| | | | |
|----|------------------------------|--------|-------|
| H7 | Tab-V Metal Shelf Clip - 42" | 909932 | 4 ea. |
| | Tab-V Metal Shelf Clip - 48" | | 8 ea. |



| | | | |
|----|--------------------|--------|-------|
| H4 | Tab-V Metal Flange | 909931 | 8 ea. |
|----|--------------------|--------|-------|



| | | | |
|----|---------------------|--------|--------|
| H8 | Wire Dividers - 42" | 490571 | 8 ea. |
| | Wire Dividers - 48" | | 12 ea. |



| | | | |
|----|----------------|--------|-------|
| H5 | Varianta Screw | 988060 | 8 ea. |
|----|----------------|--------|-------|

If you have purchased the Back option or the Toe Space option to be assembled in conjunction with this Base unit,

it is important to read through the Back option and/or Toe Space option directions before beginning.

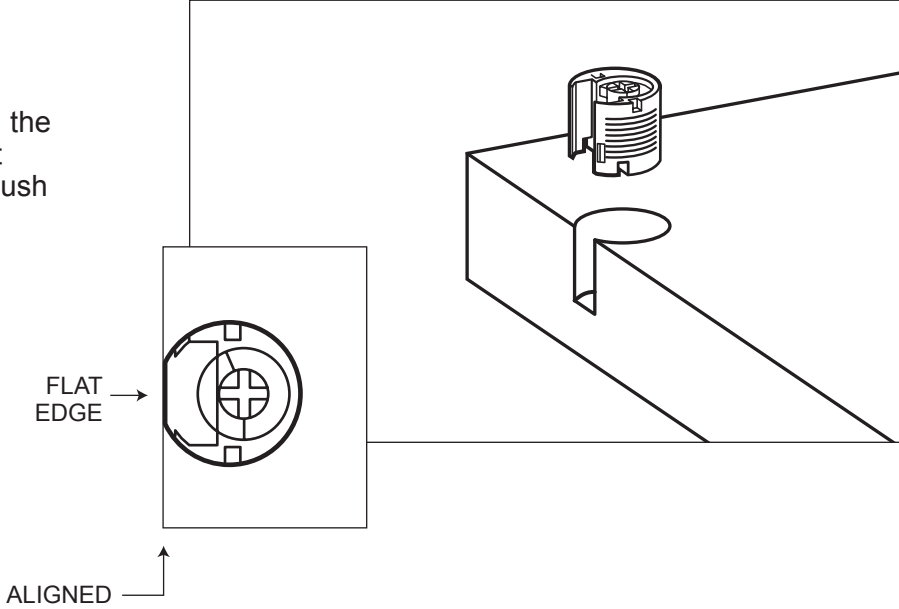
NOTE:

The diagrams show one size for ease of viewing. Any differences will be indicated in each step's text.

USING THE TAB-V SYSTEM:

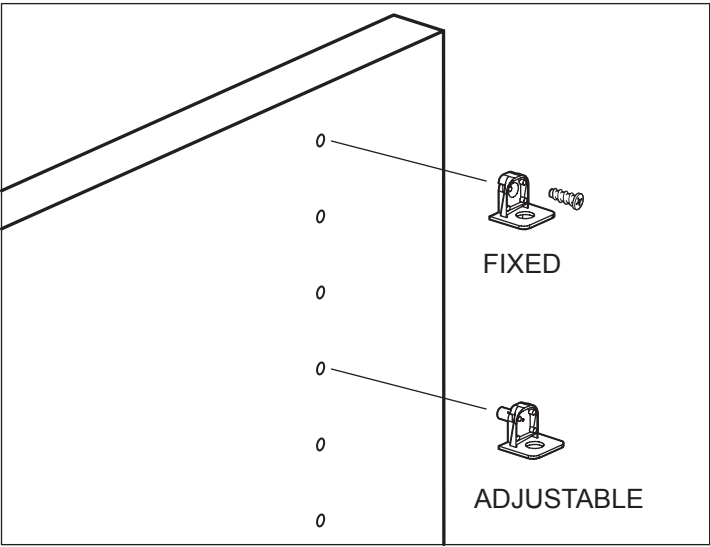
Using a plastic mallet, tap in the plastic housings with the flat edge facing outwards until flush with the surface.

IMPORTANT! The flat edge of the plastic housing must be aligned with the shelf edge. Plastic Housings cannot be repositioned once installed.



For a Fixed Shelf or Top, install the metal flange using a System (Varianta) Screw as shown. **DO NOT** over tighten!

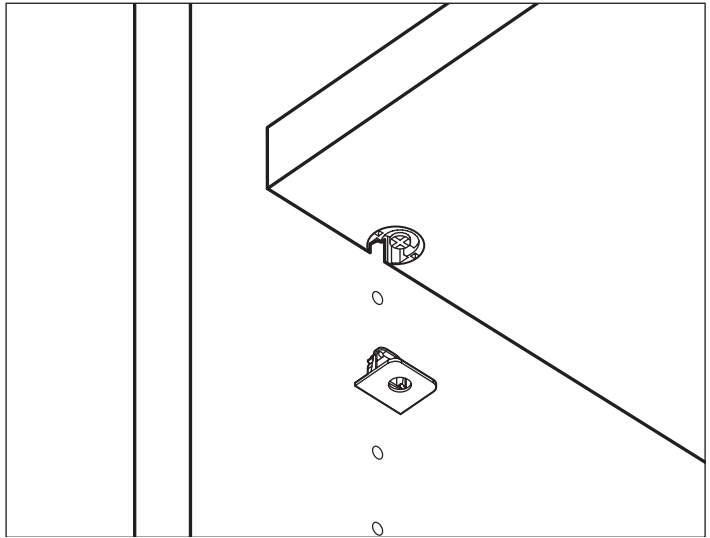
For an Adjustable Shelf, use the Metal Shelf Clip.



Slide the shelf into place over the Metal Flanges and push down until fully seated.

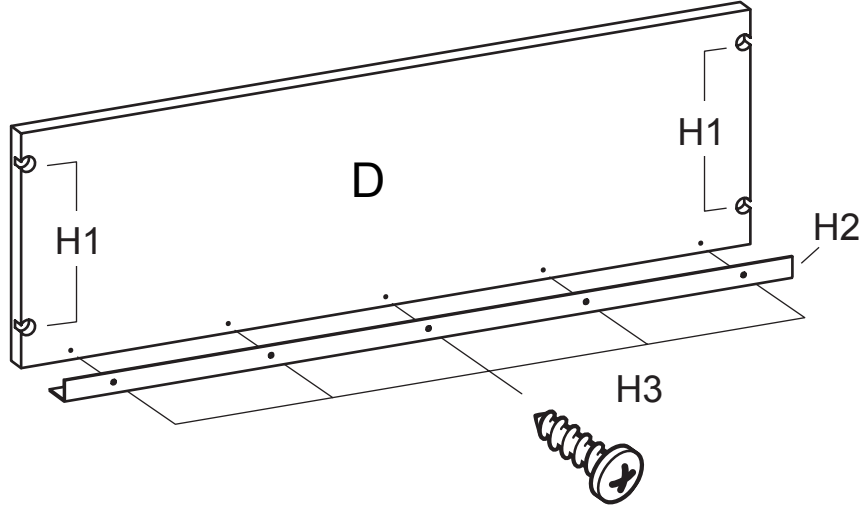
Turn the rotating portion (Cam) 1/2 turn to lock in place.

To remove, simply turn the Cam counter clockwise 1/2 turn and lift the shelf off of the Metal Flanges.



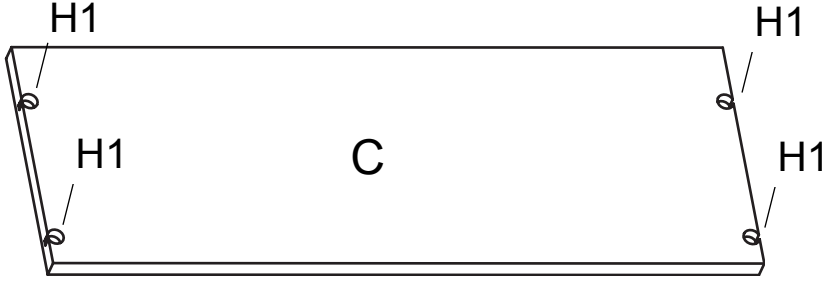
#1

Install four Plastic Housings (H1) into each shelf. Attach a Book Stop (H2) to each Fixed/Adjustable Shelf (E) using five Panhead Screws (H3) in the pre-drilled holes.



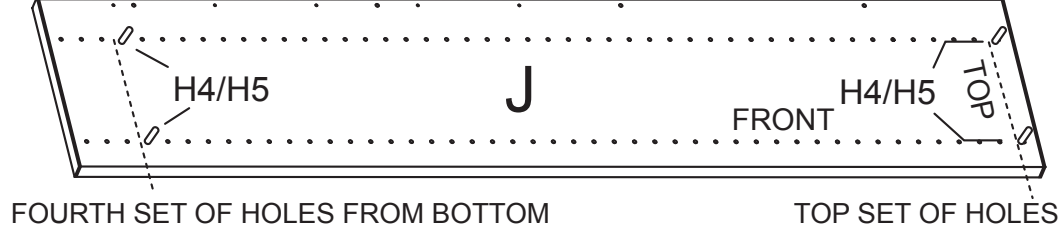
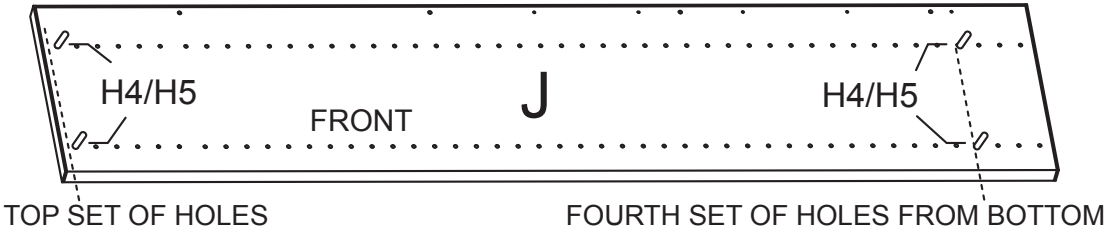
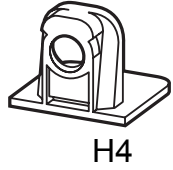
#2

Install four Plastic Housings (H1) into the Top Panel (C) as shown.



#3

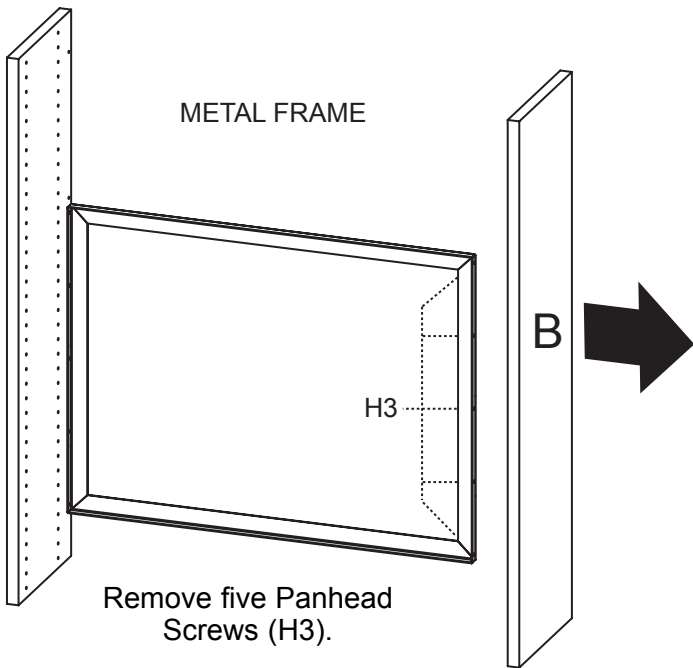
Place the Divider (J) on a clean, carpeted surface as shown. **Install four Tab-V Metal Flanges (H4) using Varianta Screws (H5), into each side of the panel.**



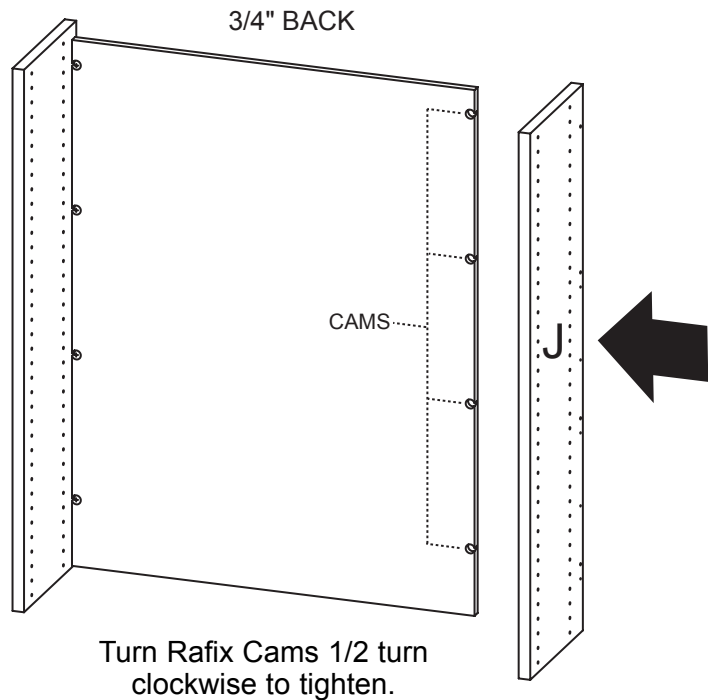
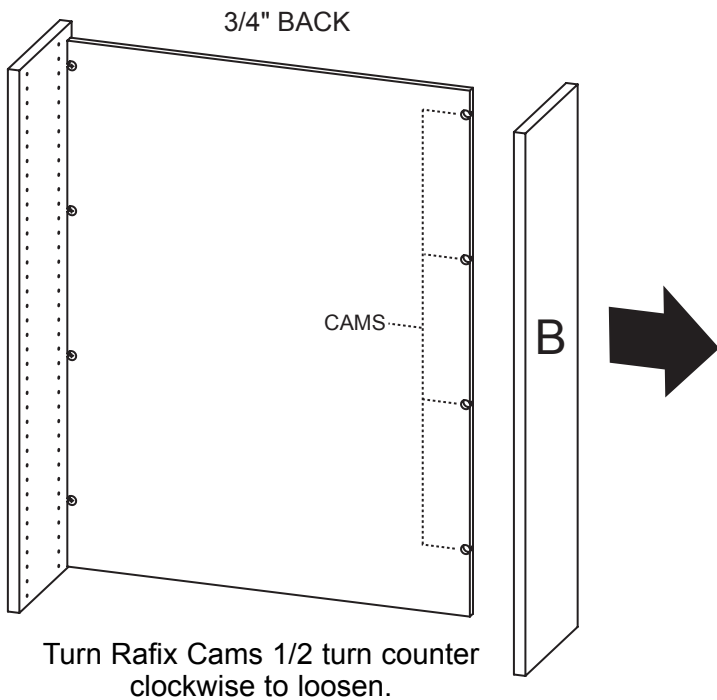
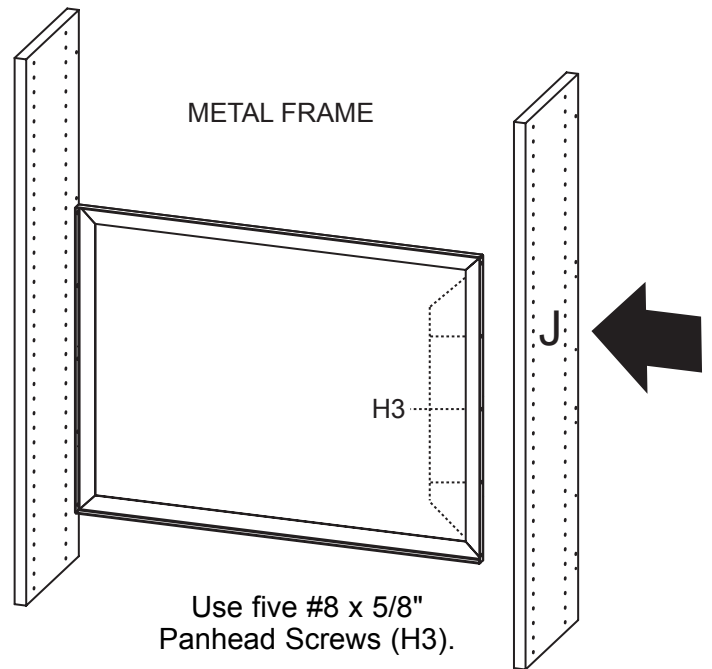
If you are attaching the Adder unit to a previously assembled Base unit, it will be necessary to partially disassemble the unit.

Remove all the Shelves and Top.

#4 Remove one Side Panel, with the assistance of another person.



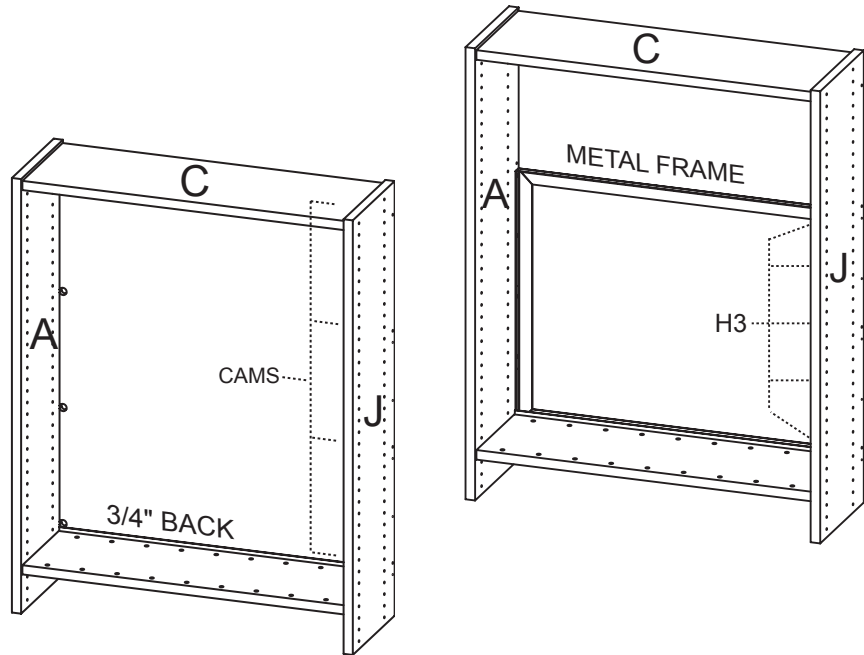
#5 Attach the Divider Panel.



#6

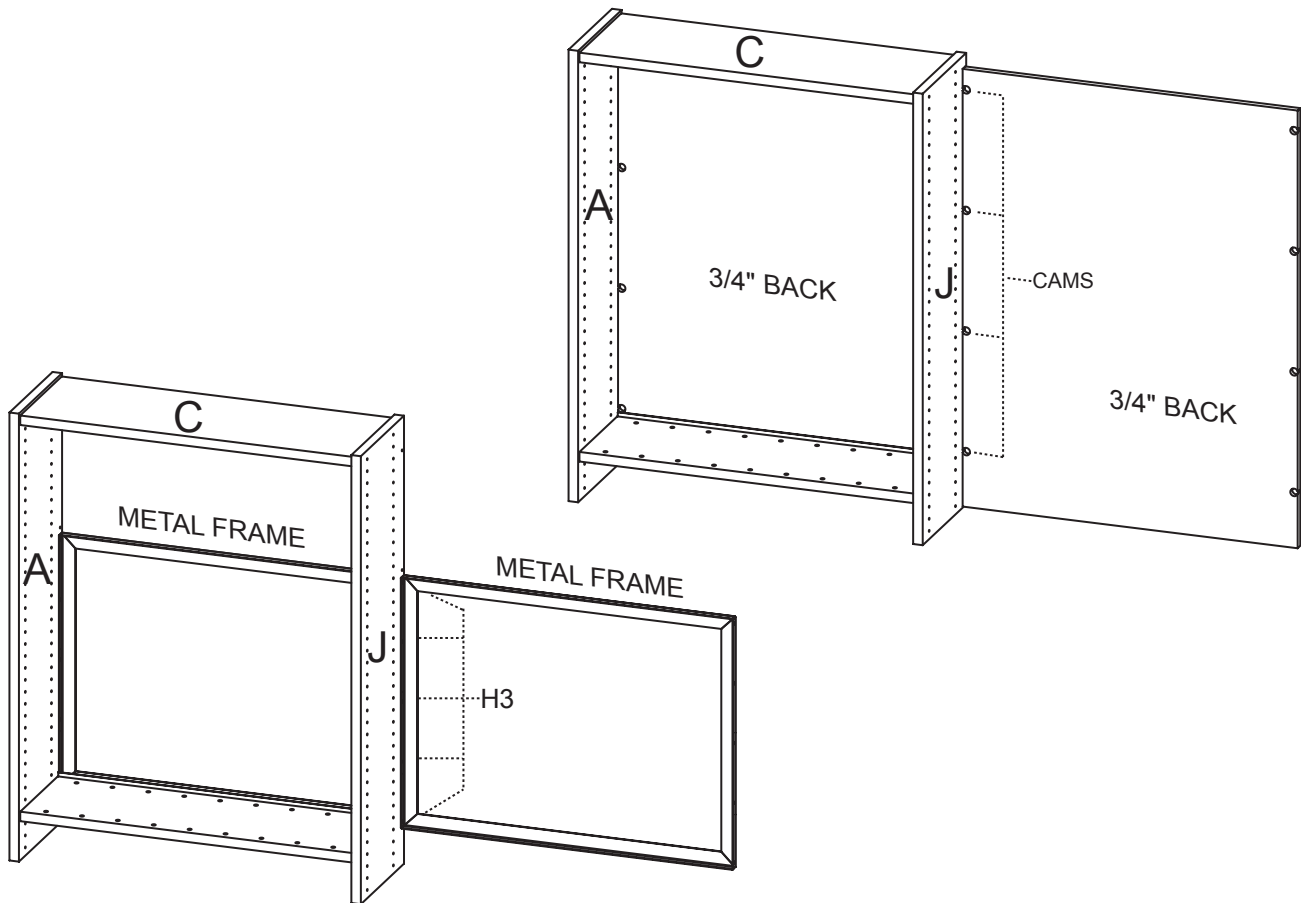
Attach the Top Panel and the Bottom Shelf.

Be sure to turn the Tab-V Cams (H1) 1/2 turn to tighten.



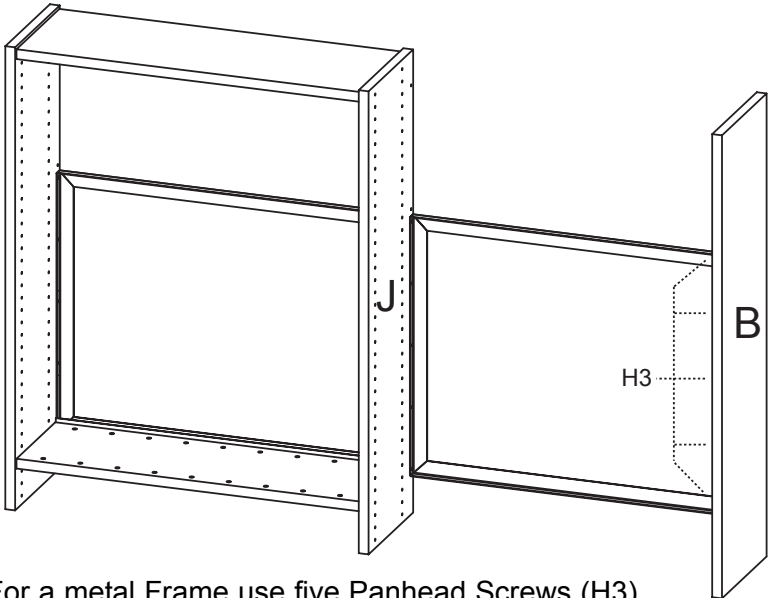
#7

Attach either a Metal Frame (H6) or Back Panel as shown.



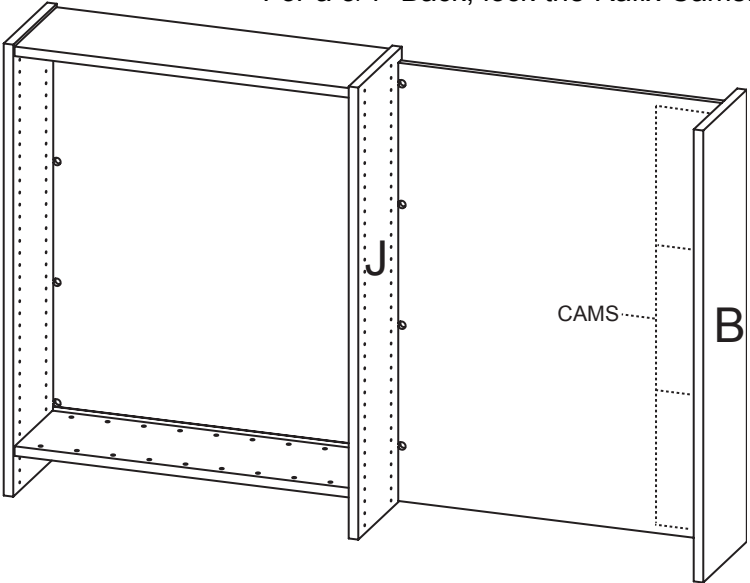
#8

Attach the Right Side (B) as shown.



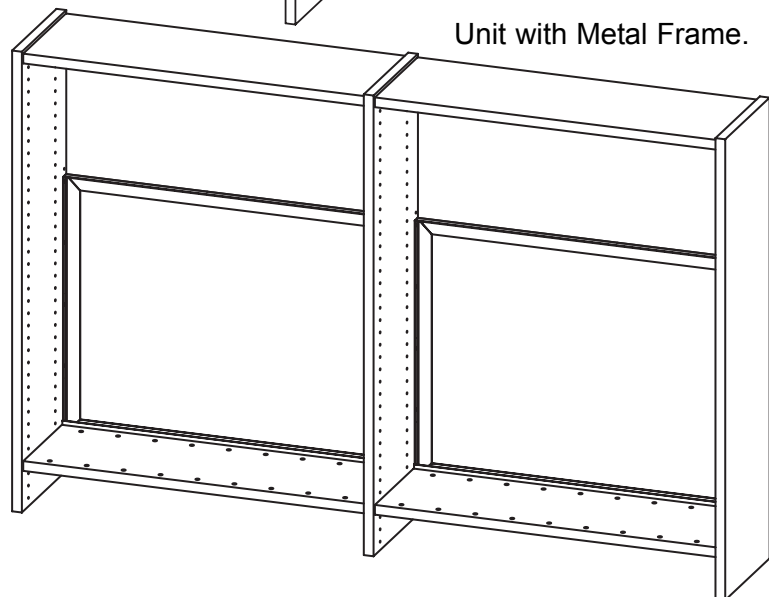
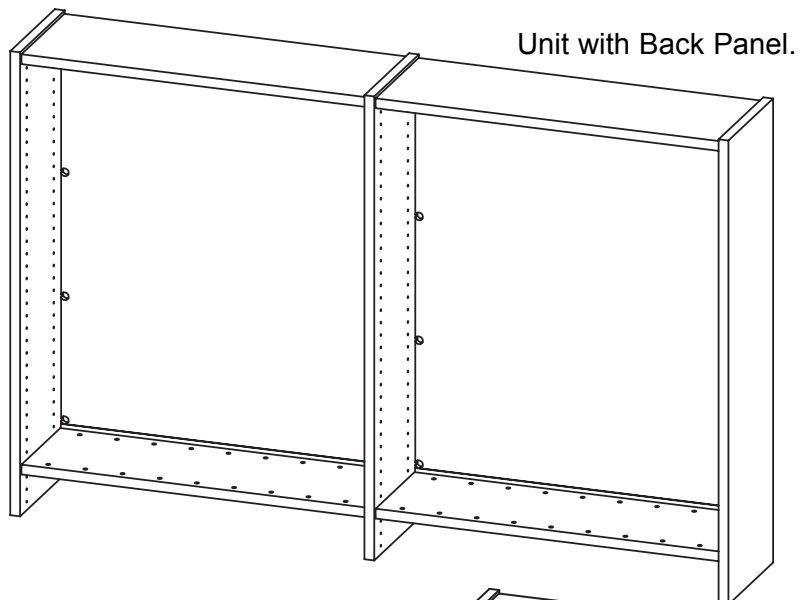
For a metal Frame use five Panhead Screws (H3).

For a 3/4" Back, lock the Rafx Cams.



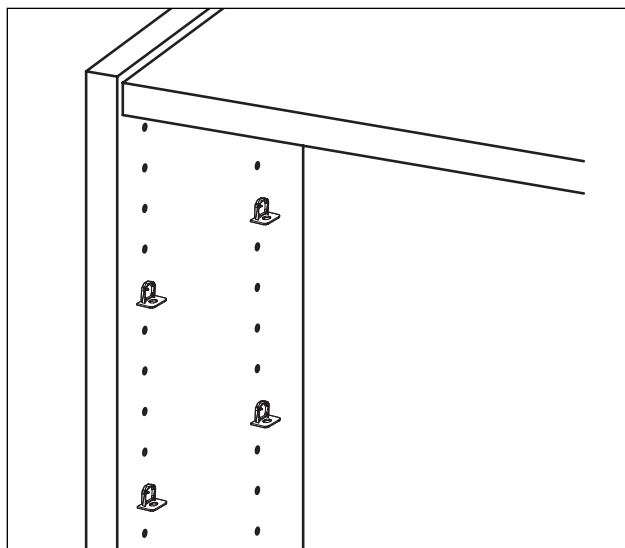
#9

Attach the Top Panel and the Shelves to the unit as shown. Lock the Tab-V Cams (H1) to secure the parts in place.



#10

Insert shelf pins (H6) at desired shelf heights. Place the Shelves in the unit.



Your Glacier Picture Book Shelving Unit is now assembled and ready for use.

