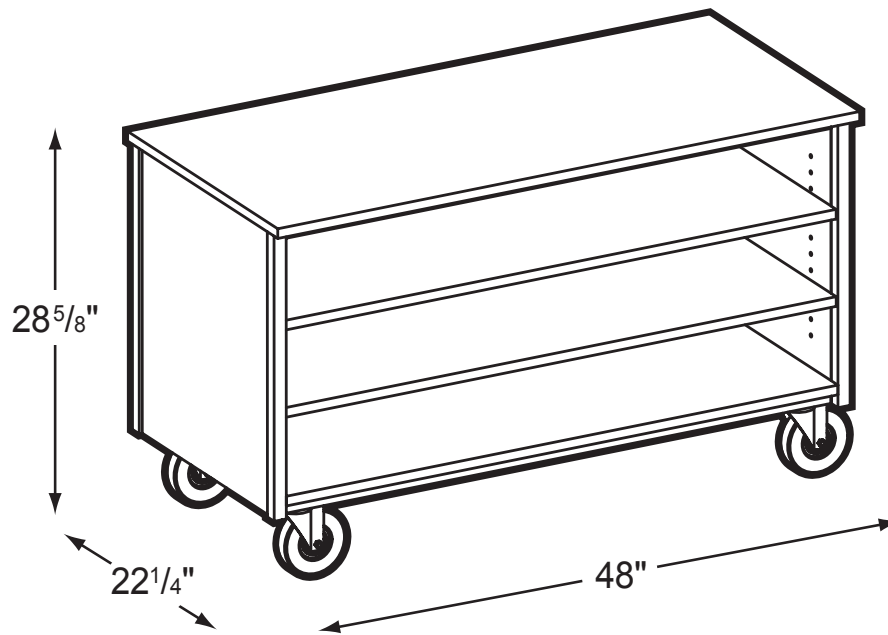


1070-0

Closed-Tote Tray



Product Specs

- Fully welded frame
- 10 ga. angle iron
- 3/16" caster mounting plates
- 5" casters (2 locking)
- 5mm steel shelf supports
- 3/4" thermal fused laminate
- 3mm PVC edge banding on all semi and exposed edges

- Two adjustable shelves

Trays not included:

- 3 - T-102 tray per shelf or bottom
- 4 - T-132 tray per shelf or bottom
- 5 - T-100 tray per shelf or bottom