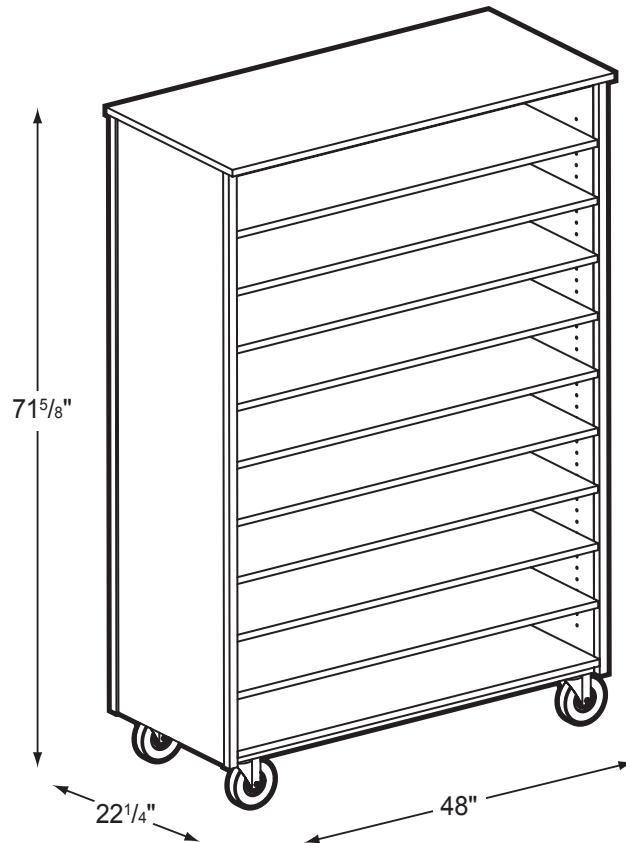


# 1077-0

## Open-Tote Tray



### Product Specs

- Fully welded unitized frame
  - 10 ga. angle iron
  - 3/16" caster mounting plates
  - 5" casters (2 locking)
  - 3/4" thermal fused laminate
  - 3mm PVC edge banding on all semi and exposed edges.
  - Nine adjustable shelves.
- Trays not included:
- 3 - T-102 tray per shelf or bottom
  - 4 - T-132 tray per shelf or bottom
  - 5 - T-100 tray per shelf or bottom