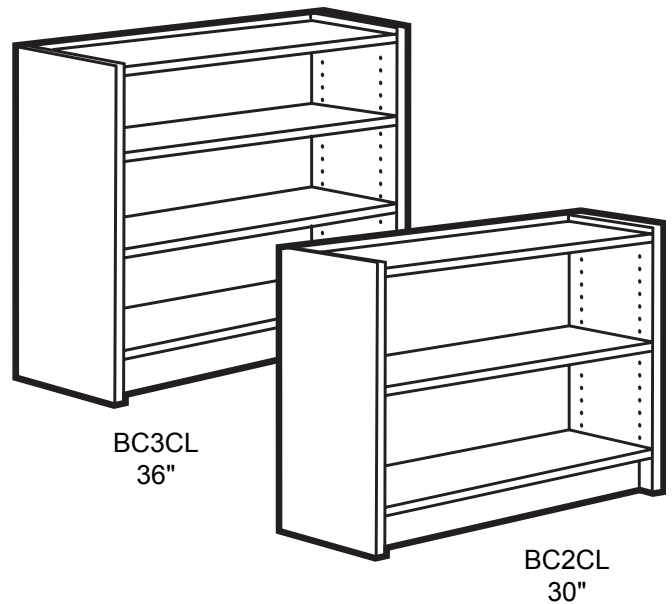
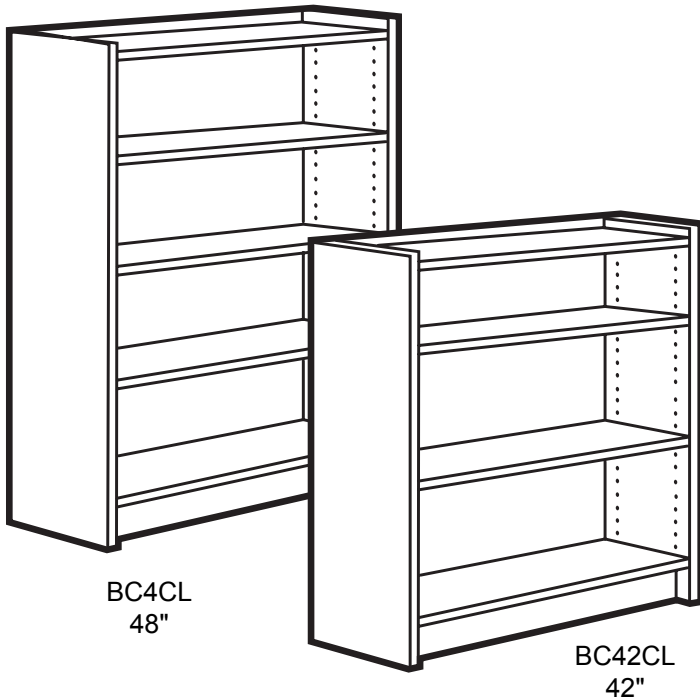




BC2CL, BC3CL, BC4CL, BC42CL

BOOKCASE SERIES



IMPORTANT!

Assembly may require the assistance of another person.

Before you begin assembly:

READ THE DIRECTIONS all the way through one time. This will speed up the process and help you understand the sequence of steps.

COUNT THE PARTS AND HARDWARE before assembly. This ensures you have received all necessary parts before you begin.

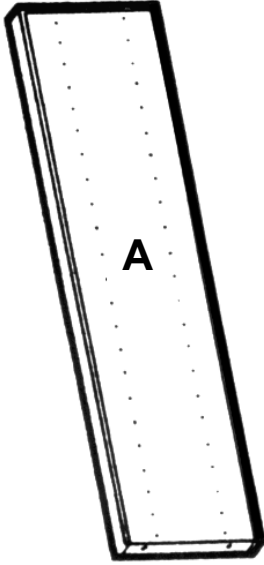
TOOLS: You may need a Phillips head screwdriver, a medium slotted screwdriver or a plastic mallet. To protect your new furniture from damage during assembly, it is recommended to work on a carpeted surface.

In the event any parts are missing from this package, send your name, address, telephone number, and a description of the missing part(s) to: **PARTS, Box 1420, Missoula, MT 59806** or call: **1-800-769-5693** or **FAX 1-800-445-5281**.

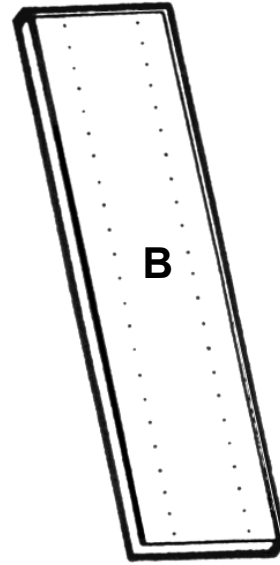
CAUTION: On assemblies requiring glue, make sure the unit is assembled correctly before gluing. Once this unit is assembled with glue, the manufacturer will not be responsible for damaged parts. Keep a damp cloth or sponge handy to wipe off excess glue.

To care for this furniture, simply wipe with a cloth dampened with glass cleaner containing ammonia-D.

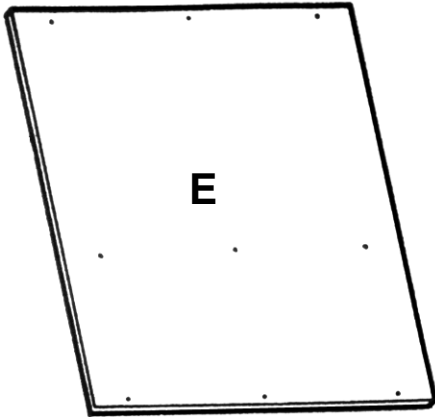
PARTS DIAGRAM



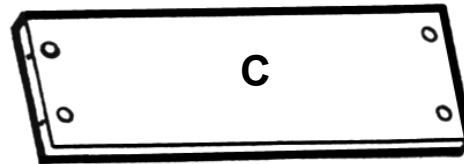
Left Side	30"	05850841 – 1 ea.
	36"	05860941 – 1 ea.
	42"	05862041 – 1 ea.
	48"	05861041 – 1 ea.



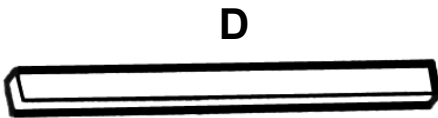
Right Side	30"	05850841 – 1 ea.
	36"	05860941 – 1 ea.
	42"	05862041 – 1 ea.
	48"	05861041 – 1 ea.



Back	30"	05850841 – 1 ea.
	36"	05860941 – 1 ea.
	42"	05862041 – 1 ea.
	48"	05861041 – 1 ea.



Fixed Shelf	30"	05860821 – 2 ea.
	36"	05860821 – 2 ea.
	42"	05860821 – 2 ea.
	48"	05860821 – 2 ea.



Toeboard	30"	05860872 – 1 ea.
	36"	05860872 – 1 ea.
	42"	05860872 – 1 ea.
	48"	05860872 – 1 ea.



Shelf	30"	05860824 – 1 ea.
	36"	05860824 – 2 ea.
	42"	05860824 – 2 ea.
	48"	05860824 – 3 ea.

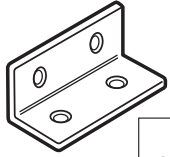
HARDWARE



H2	Minifix Cam	909810	8 ea.
----	-------------	--------	-------



H1	Minifix Bolt	909834	8 ea.
----	--------------	--------	-------



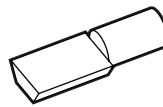
H3	Angle Bracket	401170	2 ea.
----	---------------	--------	-------



H4	Varianta Screw	988060	8 ea.
----	----------------	--------	-------



H6	1" Panhead Screw	901227	6 ea.
----	------------------	--------	-------



H8	Spoon Clip	H1021	30"- 4 ea. 36"- 8 ea. 42"- 8 ea. 48"- 12 ea.
----	------------	-------	---



H5	Plastic U-Channel	215048X X	1 ea.
----	-------------------	--------------	-------

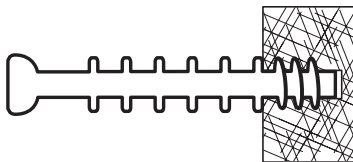


H7	Tack Glide	300865	4 ea.
----	------------	--------	-------

Using the Minifix System:

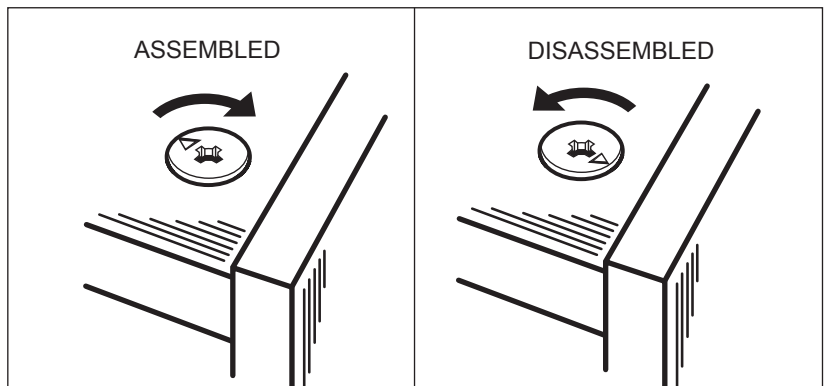
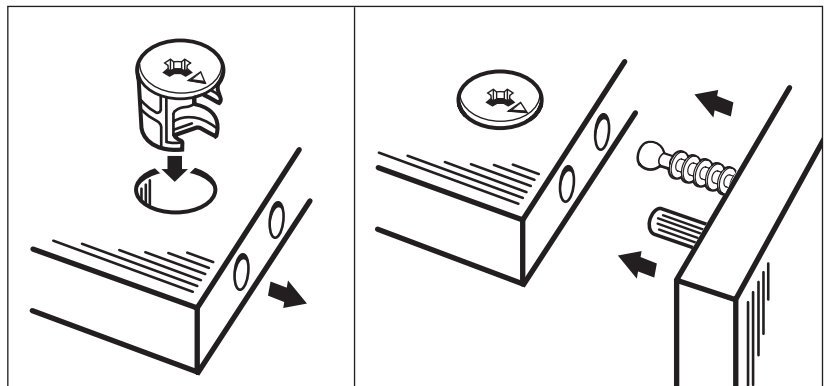
Insert the Minifix Cams into the appropriate holes with the arrow facing outwards as shown.

When screwing post into hole, **Do Not** over tighten. Screw post down until bottom face of post flange just touches board surface.



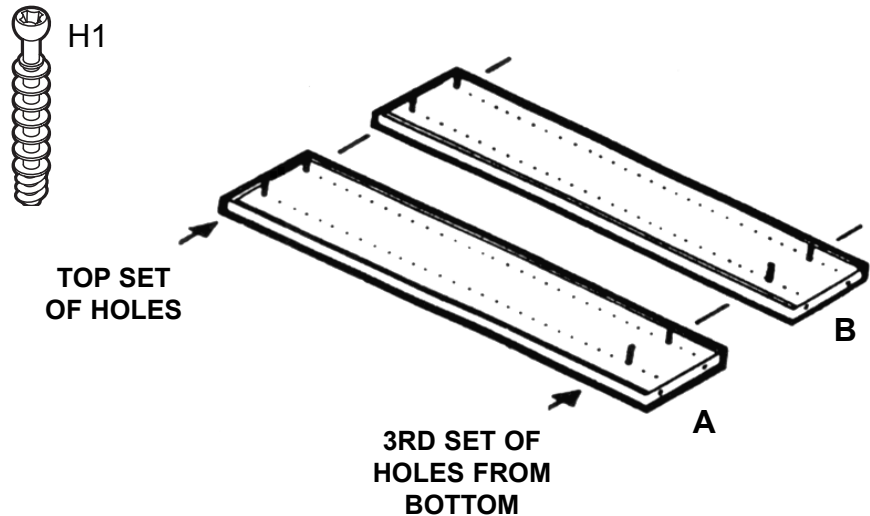
Using the #2 Phillips screwdriver, rotate the Cam Devices a half turn clockwise until snug.

To disassemble, turn the Cam Devices counter-clockwise and remove panels.



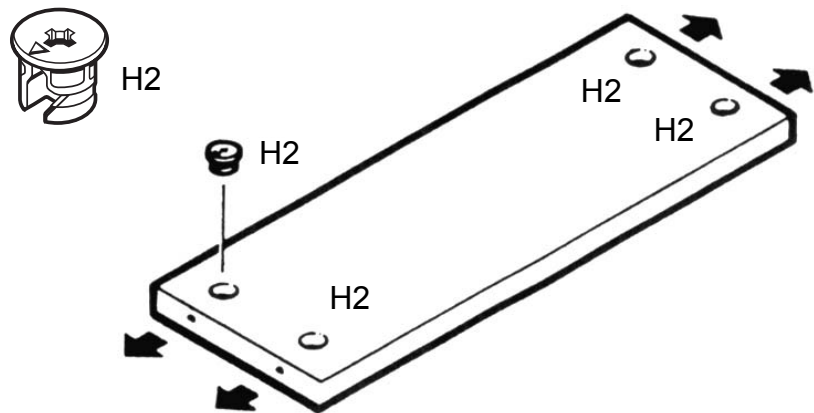
#1

Screw four Steel Posts (H1) into the pre-drilled holes of each side (A&B) where indicated and tighten.



#2

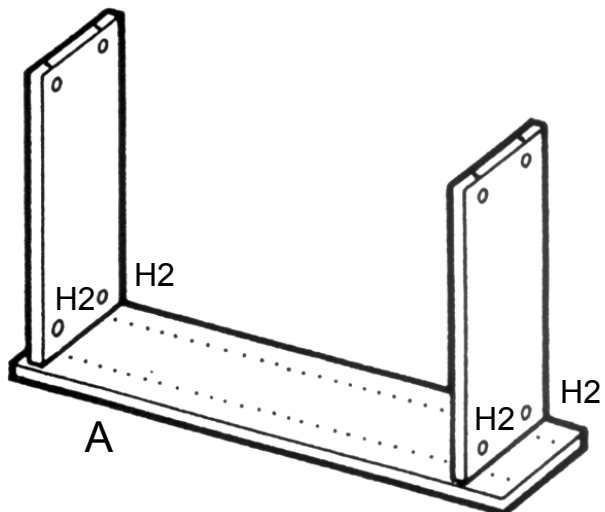
Insert four Cam Devices (H2) into each Fixed Shelf (C) facing outwards as shown.



#3

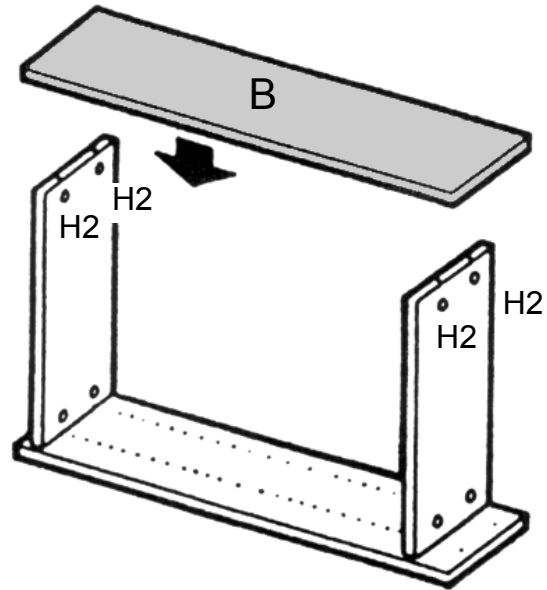
Position the top and bottom Fixed Shelves (C) onto the corresponding Steel Posts (H1) of the Left Side (A) and turn the Cam Devices (H2) clockwise until tight.

NOTE: The finished edge of each shelf should be facing toward the front of the unit.



#4

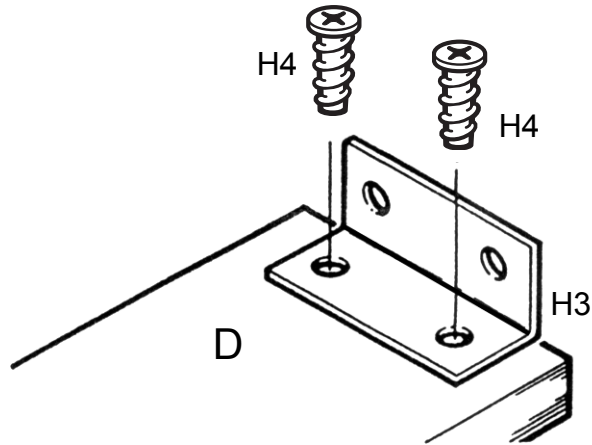
Position the Right Side (B) over the partially assembled unit insuring the Steel Posts are inserted into the corresponding Cam Devices (H2) as shown. Rotate the Cam Devices clockwise to tighten.



#5

Attach an Angle Bracket (H3) to each end of the Toe Space (D) using the Varianta Screws (H4) as shown.

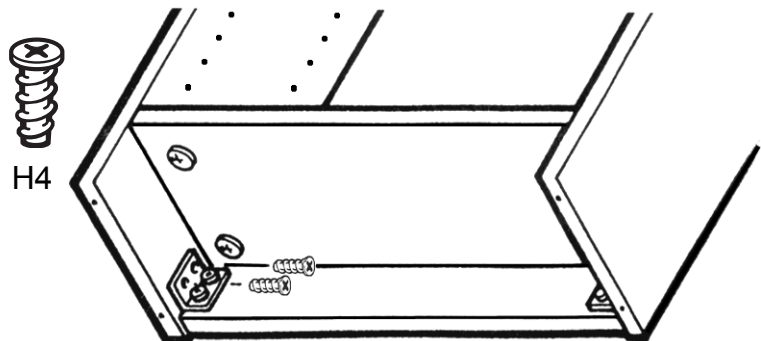
NOTE: Do not fully tighten these screws at this time.



#6

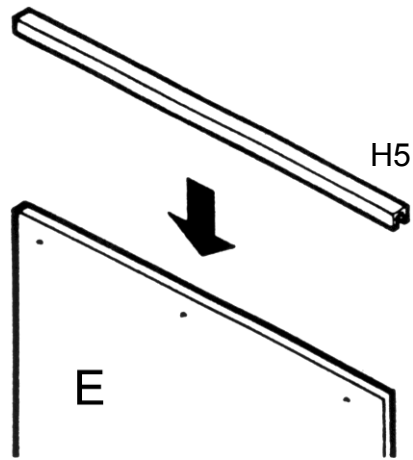
Align the Toe Space (D) between the Sides and secure in place with the Angle Brackets (H3) and Varianta Screws (H4) as shown.

NOTE: Tighten all Varianta Screws (H4) at this time.



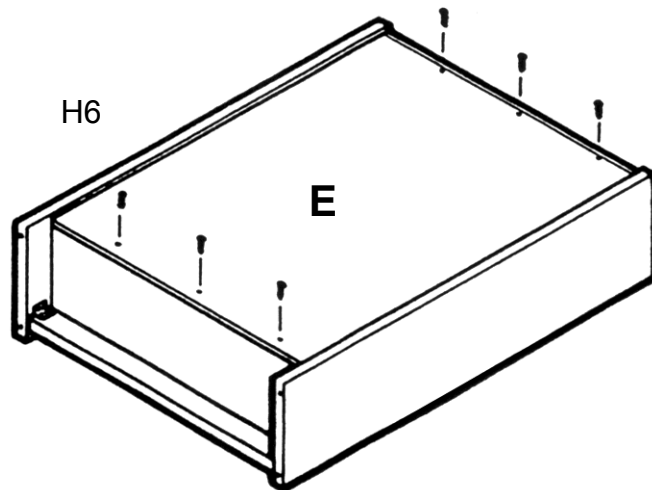
#7

Slip the Plastic U-Channel (H5) onto the top edge of the Back (E) and press into place as shown.



#8

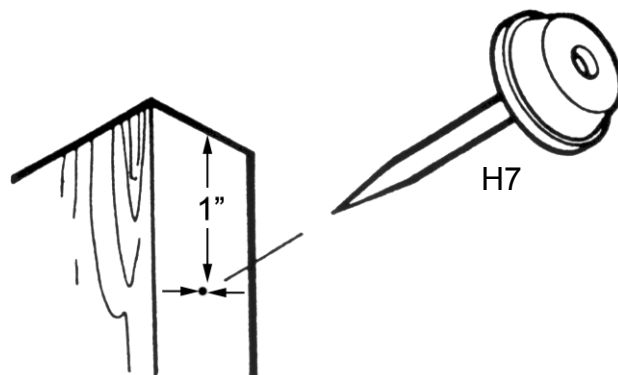
Secure the Back (E) to the unit with three 1" Panhead Screws (H6) through the pre-drilled holes into each Fixed Shelf and tighten.



#9

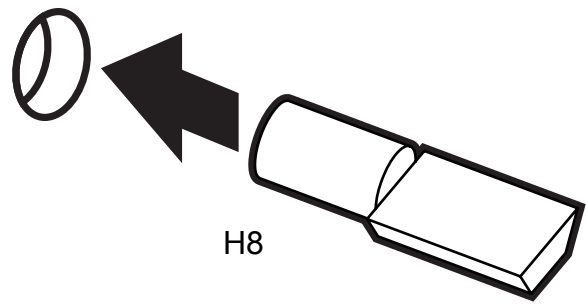
Tap the Tack Glides (H7) into the bottoms of the Sides as shown.

NOTE: You will have to measure for placement. There is no pre-drilled hole for the Tack Glide.



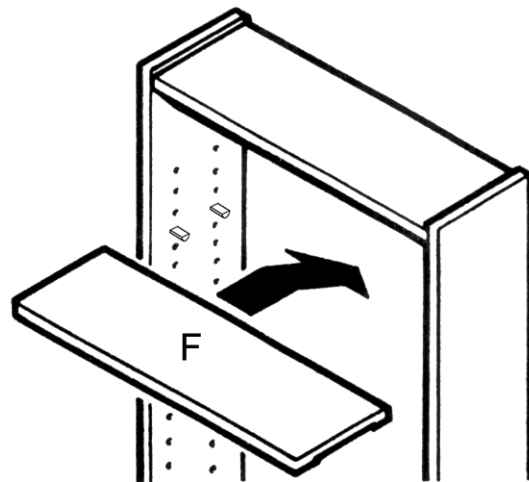
#10

Turn the unit upright. Insert the Spoon Clips (H8) at the desired heights until completely seated in the pre-drilled holes of the sides as shown.



#11

Place the Shelves (F) on the Shelf Pins as shown.



Your Bookcase is now fully assembled and ready for use.