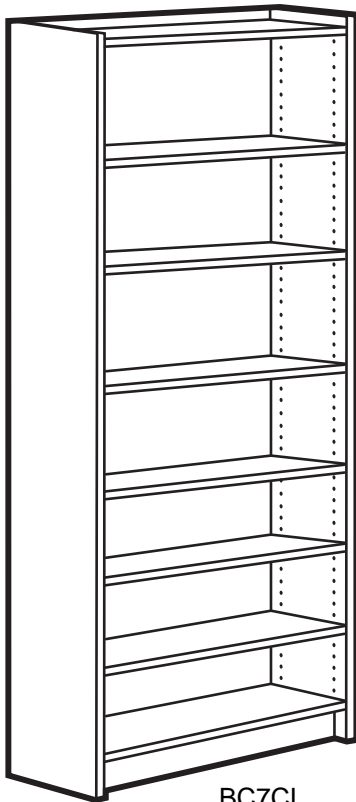


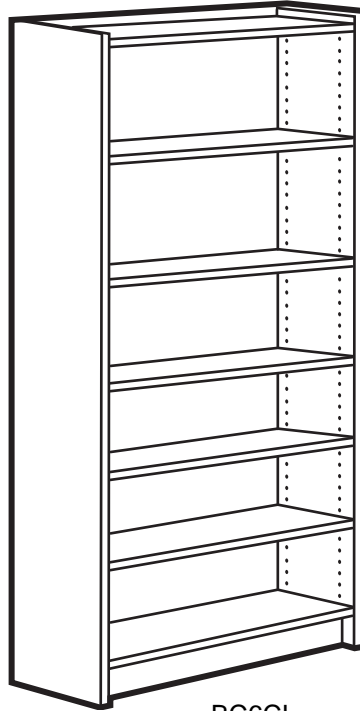


BC5CL, BC6CL, BC7CL

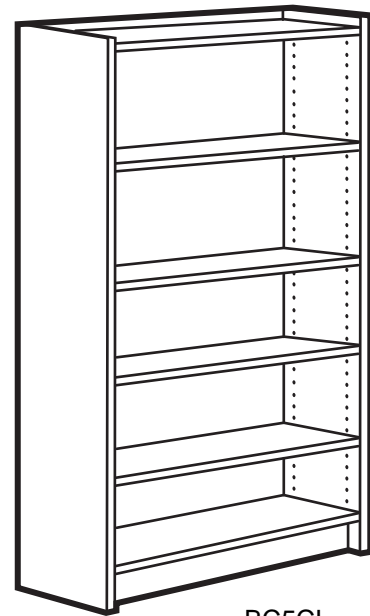
BOOKCASE SERIES



BC7CL
84"



BC6CL
72"



BC5CL
60"

IMPORTANT!

Assembly may require the assistance of another person.

Before you begin assembly:

READ THE DIRECTIONS all the way through one time. This will speed up the process and help you understand the sequence of steps.

COUNT THE PARTS AND HARDWARE before assembly. This ensures you have received all necessary parts before you begin.

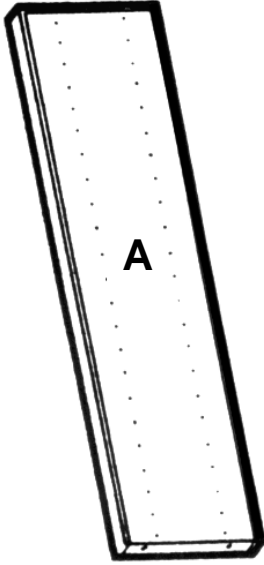
TOOLS: You may need a Phillips head screwdriver, a medium slotted screwdriver or a plastic mallet. To protect your new furniture from damage during assembly, it is recommended to work on a carpeted surface.

In the event any parts are missing from this package, send your name, address, telephone number, and a description of the missing part(s) to: PARTS, Box 1420, Missoula, MT 59806 or call: 1-800-769-5693 or FAX 1-800-445-5281.

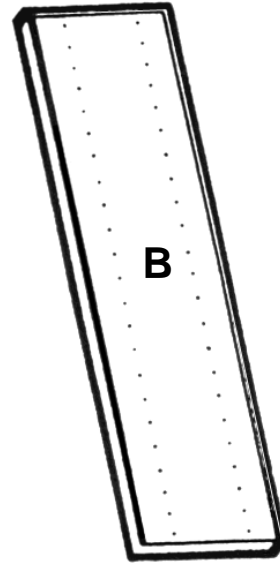
CAUTION: On assemblies requiring glue, make sure the unit is assembled correctly before gluing. Once this unit is assembled with glue, the manufacturer will not be responsible for damaged parts. Keep a damp cloth or sponge handy to wipe off excess glue.

To care for this furniture, simply wipe with a cloth dampened with glass cleaner containing ammonia-D.

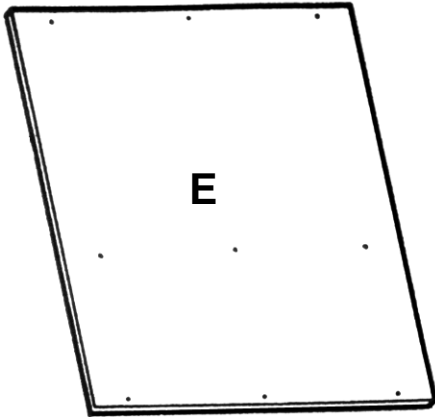
PARTS DIAGRAM



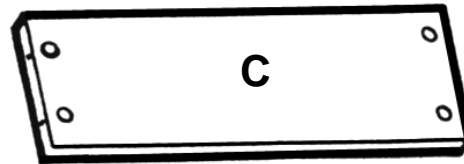
Left Side	60"	05861141 - 1 ea.
	72"	05861241 - 1 ea.
	84"	05861341 - 1 ea.



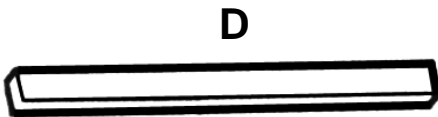
Right Side	60"	05861141 - 1 ea.
	72"	05861241 - 1 ea.
	84"	05861341 - 1 ea.



Back	60"	05861152 - 1 ea.
	72"	05861252 - 1 ea.
	84"	05861352 - 1 ea.



Fixed Shelf	60"	05860821 - 3 ea.
	72"	05860821 - 3 ea.
	84"	05860821 - 3 ea.



Toeboard	60"	05860872 - 1 ea.
	72"	05860872 - 1 ea.
	84"	05860872 - 1 ea.



Shelf	60"	05860824 - 3 ea.
	72"	05860824 - 4 ea.
	84"	05860824 - 5 ea.

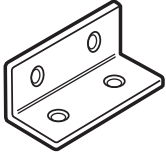
HARDWARE



H2	Minifix Cam	909810	12 ea.
----	-------------	--------	--------



H1	Minifix Bolt	909834	12 ea.
----	--------------	--------	--------



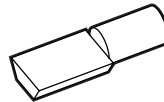
H3	Angle Bracket	401170	2 ea.
----	---------------	--------	-------



H4	Varianta Screw	988060	8 ea.
----	----------------	--------	-------



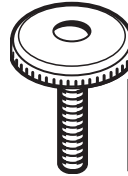
H6	1" Panhead Screw	901227	9 ea.
----	------------------	--------	-------



H8	Spoon Clip	H1021	60"-12 ea. 72"-16 ea. 84"-20 ea.
----	------------	-------	--



H5	Plastic U-Channel	215048XX	1 ea.
----	-------------------	----------	-------



H10	Leveler	300880	2 ea.
-----	---------	--------	-------



H7	Tack Glide	300865	2 ea.
----	------------	--------	-------

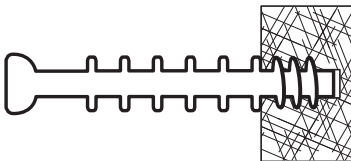


H9	Leveler Insert	274650	2 ea.
----	----------------	--------	-------

Using the Minifix System:

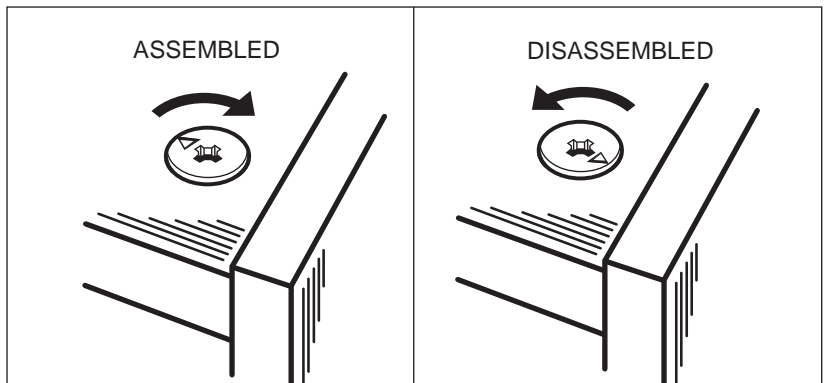
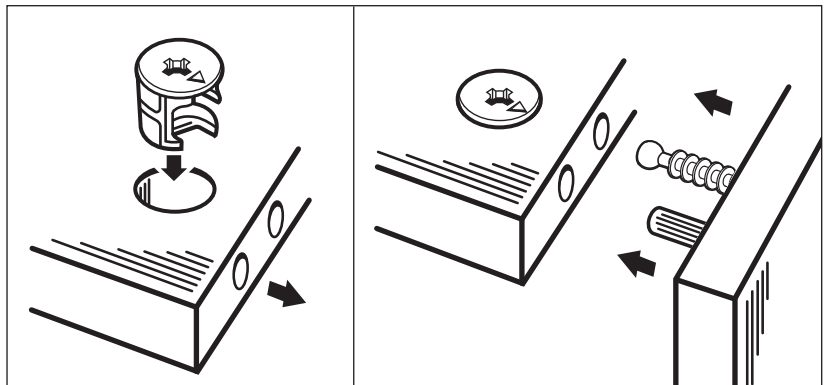
Insert the Minifix Cams into the appropriate holes with the arrow facing outwards as shown.

When screwing post into hole, **Do Not** over tighten. Screw post down until bottom face of post flange just touches board surface.



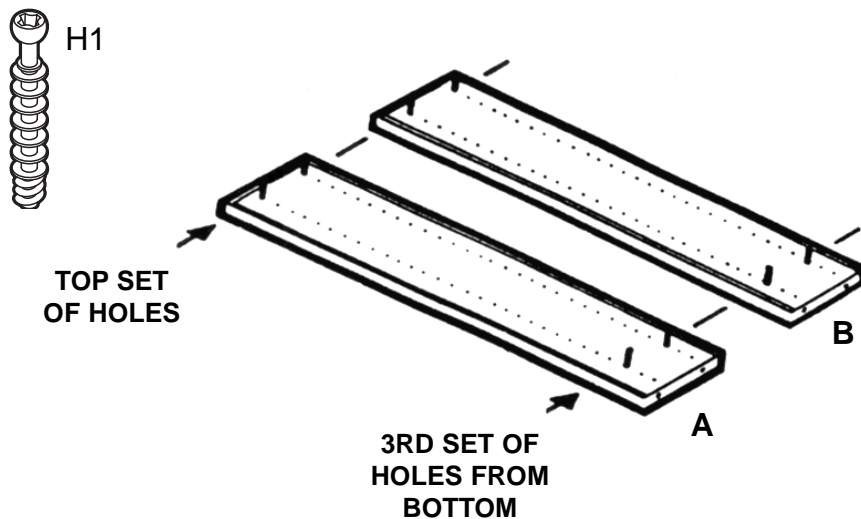
Using the #2 Phillips screwdriver, rotate the Cam Devices a half turn clockwise until snug.

To disassemble, turn the Cam Devices counter-clockwise and remove panels.



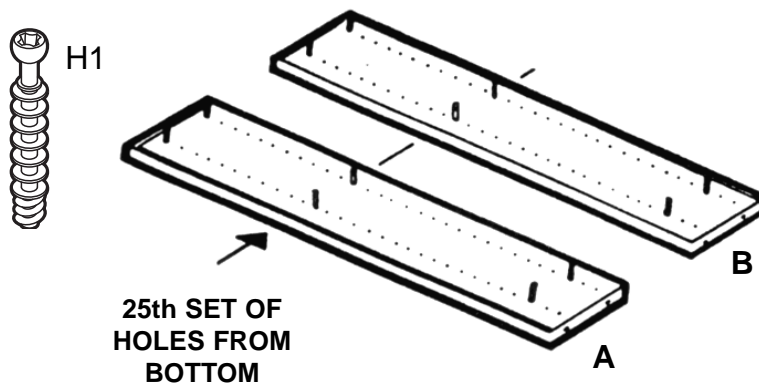
#1

Screw four Steel Posts (H1) into the pre-drilled holes of each side (A&B) where indicated and tighten.



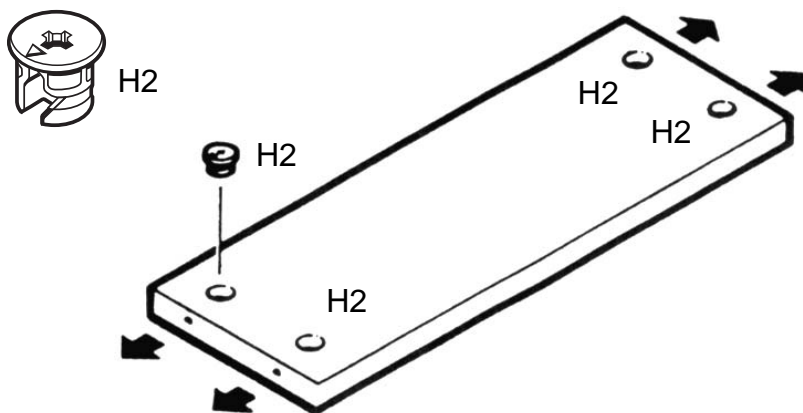
#2

Count 25 holes from the bottom to determine the recommended location of the center Fixed Shelf. Install two additional Steel Posts (H1) at the same height into each Side (A&B) and tighten.



#3

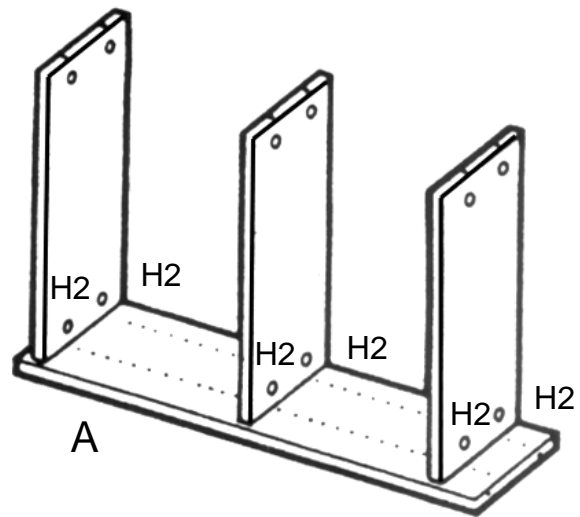
Insert four Cam Devices (H2) into each Fixed Shelf (C) facing outwards as shown.



#4

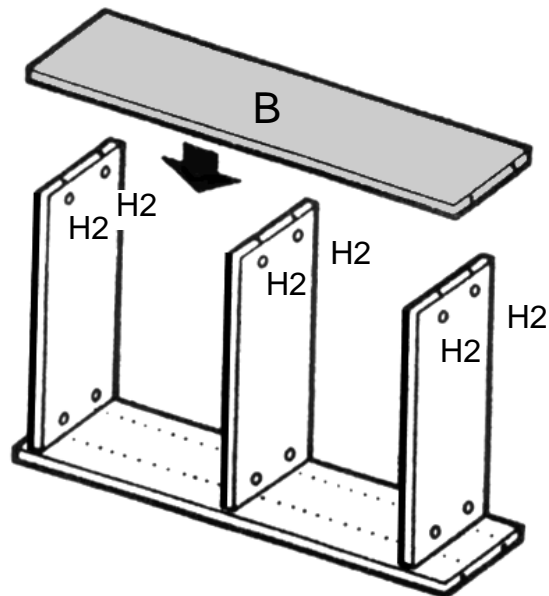
Position the top, center and bottom Fixed Shelves (C) onto the corresponding Steel Posts (H1) of the Left Side (A) and turn the Cam Devices (H2) clockwise until tight.

NOTE: The finished edge of each shelf should be facing toward the front of the unit.



#5

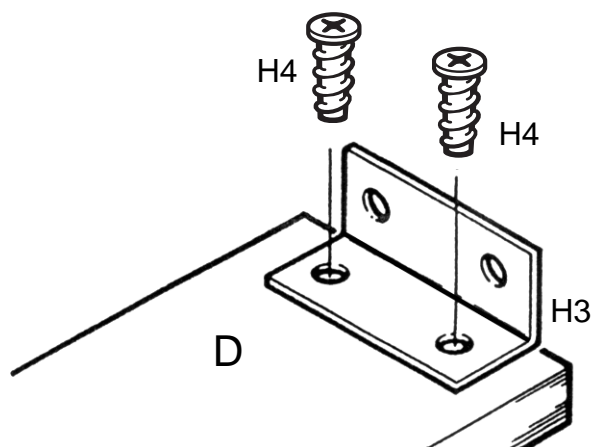
Position the Right Side (B) over the partially assembled unit insuring the Steel Posts are inserted into the corresponding Cam Devices (H2) as shown. Rotate the Cam Devices clockwise to tighten.



#6

Attach an Angle Bracket (H3) to each end of the Toe Space (D) using the Varianta Screws (H4) as shown.

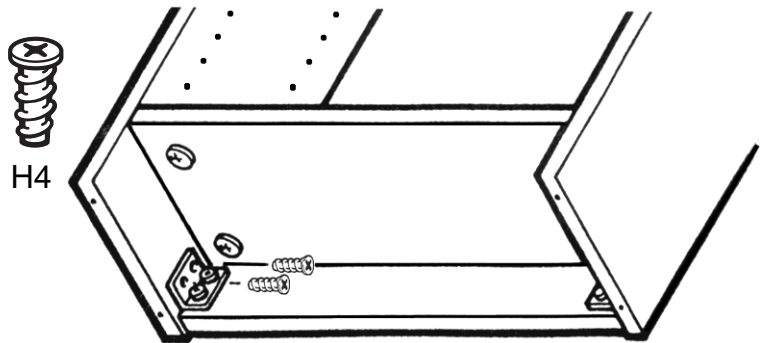
NOTE: Do not fully tighten these screws at this time.



#7

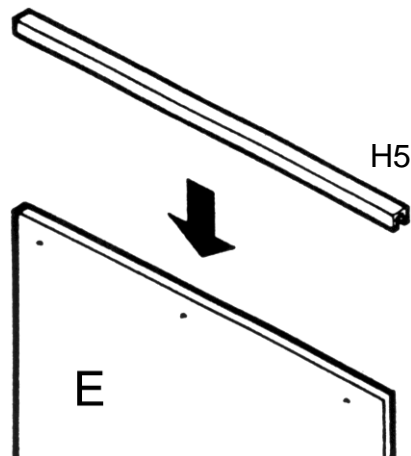
Align the Toe Space (D) between the Sides and secure in place with the Angle Brackets (H3) and Varianta Screws (H4) as shown.

NOTE: Tighten all Varianta Screws (H4) at this time.



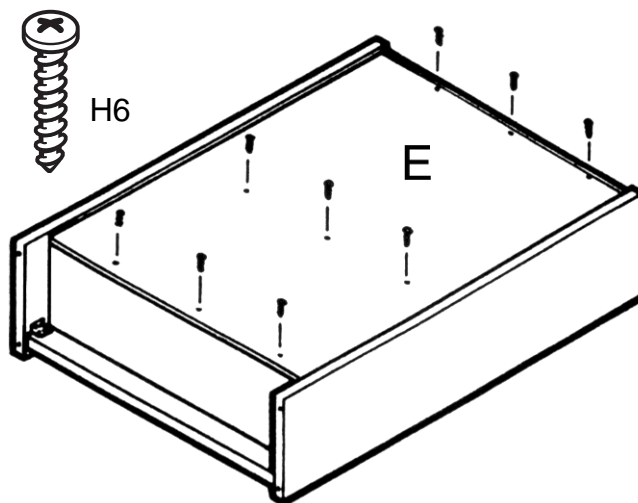
#8

Slip the Plastic U-Channel (H5) onto the top edge of the Back (E) and press into place as shown.



#9

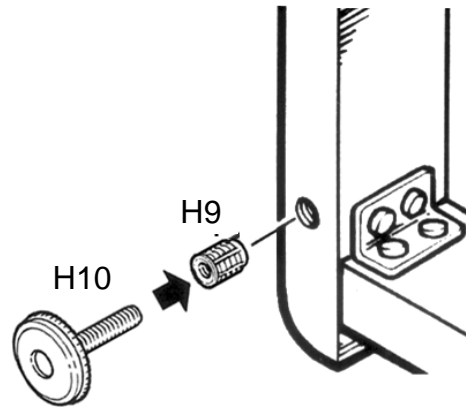
Secure the Back (E) to the unit with three 1" Panhead Screws (H6) through the pre-drilled holes into each Fixed Shelf and tighten.



#10

Using a plastic mallet, tap Leveler Inserts (H9) until flush with the surface in the bottom edges of the Left Side (A) and Right Side (B) as shown. screw the Levelers (H10) into the Leveler Inserts.

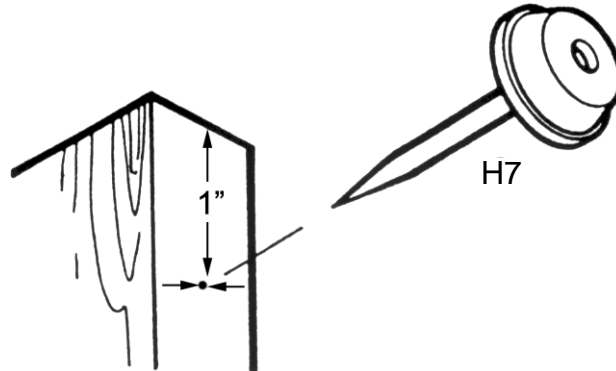
NOTE: Adjust the Levelers after assembly is complete and the unit is in place.



#11

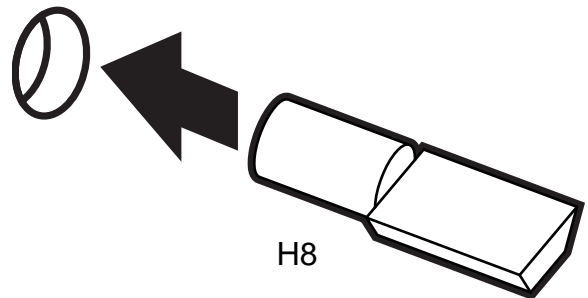
Tap the Tack Glides (H7) into the bottoms of the Sides as shown.

NOTE: You will have to measure for placement. There is no pre-drilled hole for the Tack Glide.



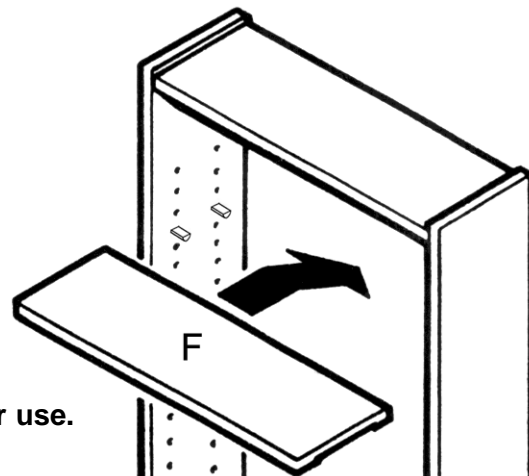
#12

Turn the unit upright. Insert the Shelf supports (H8) at the desired heights until completely seated in the pre-drilled holes of the sides as shown.



#13

Place the Shelves (F) on the Shelf Pins as shown.



Your Bookcase is now fully assembled and ready for use.