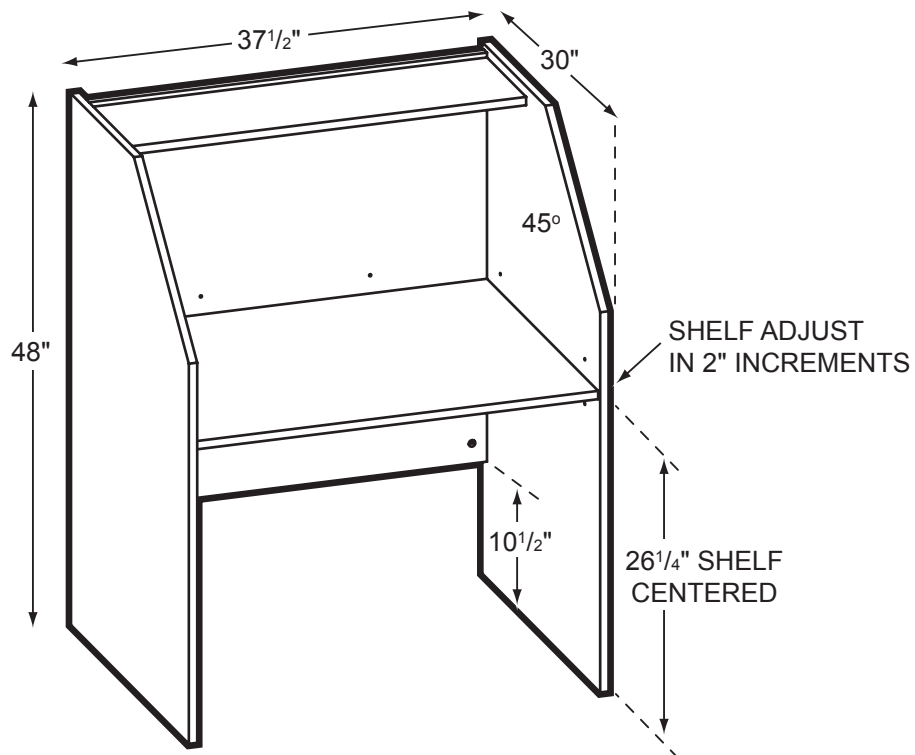


BSC

Base Study Carrel



Product Specs

- 1" thermal fused laminate top
- $\frac{3}{4}$ " thermal fused laminate
- Cam and post construction
- Matched edge banding
- Lower bookshelf
- Two side by side keyboards on $\frac{2}{3}$ extension steel slide
- Keyboards are independently adjustable for height
- Reinforced 2" casters (2 locking)