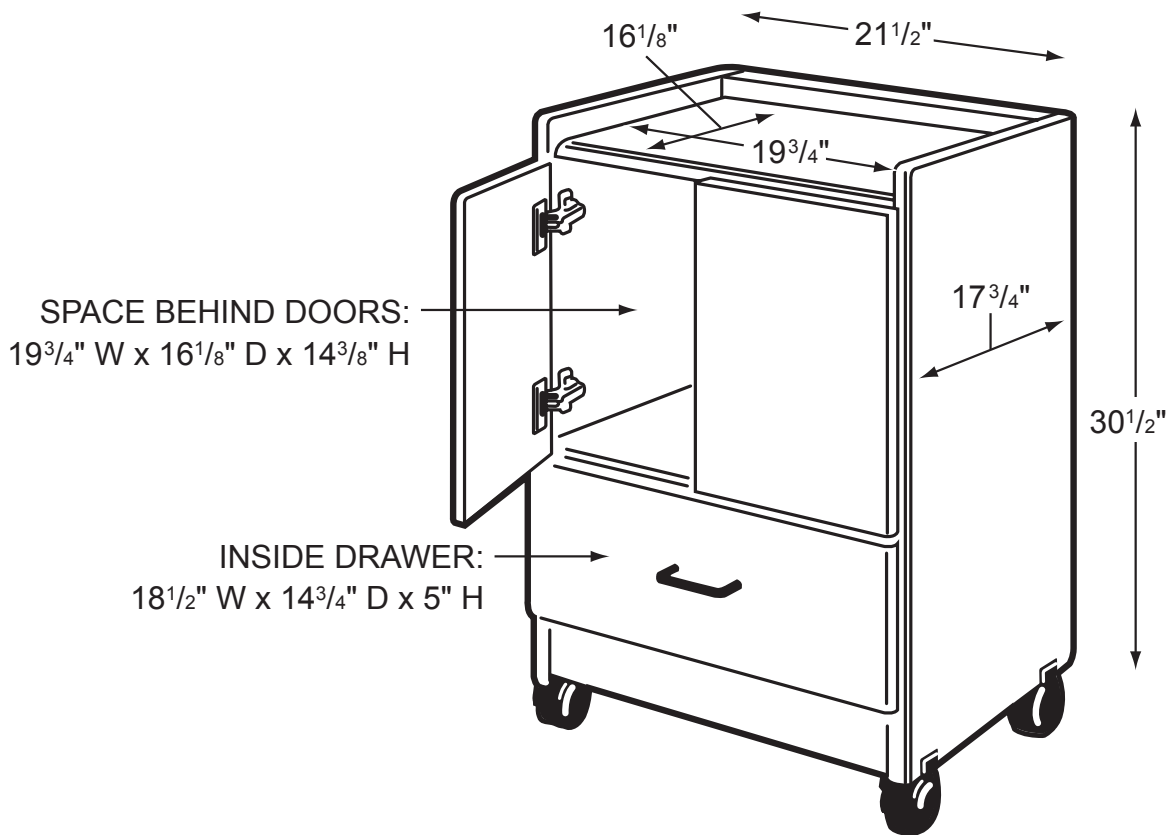


CB1

Coffee Bar



Product Specs

- 3/4" thermal fused laminate
- Cam and post construction
- Matched edge banding
- Soft form banding on top, sides, doors and Dr. Front
- 2/3 extension dr. slide
- Concealed European hinges
- Reinforced 2" casters (2 locking)