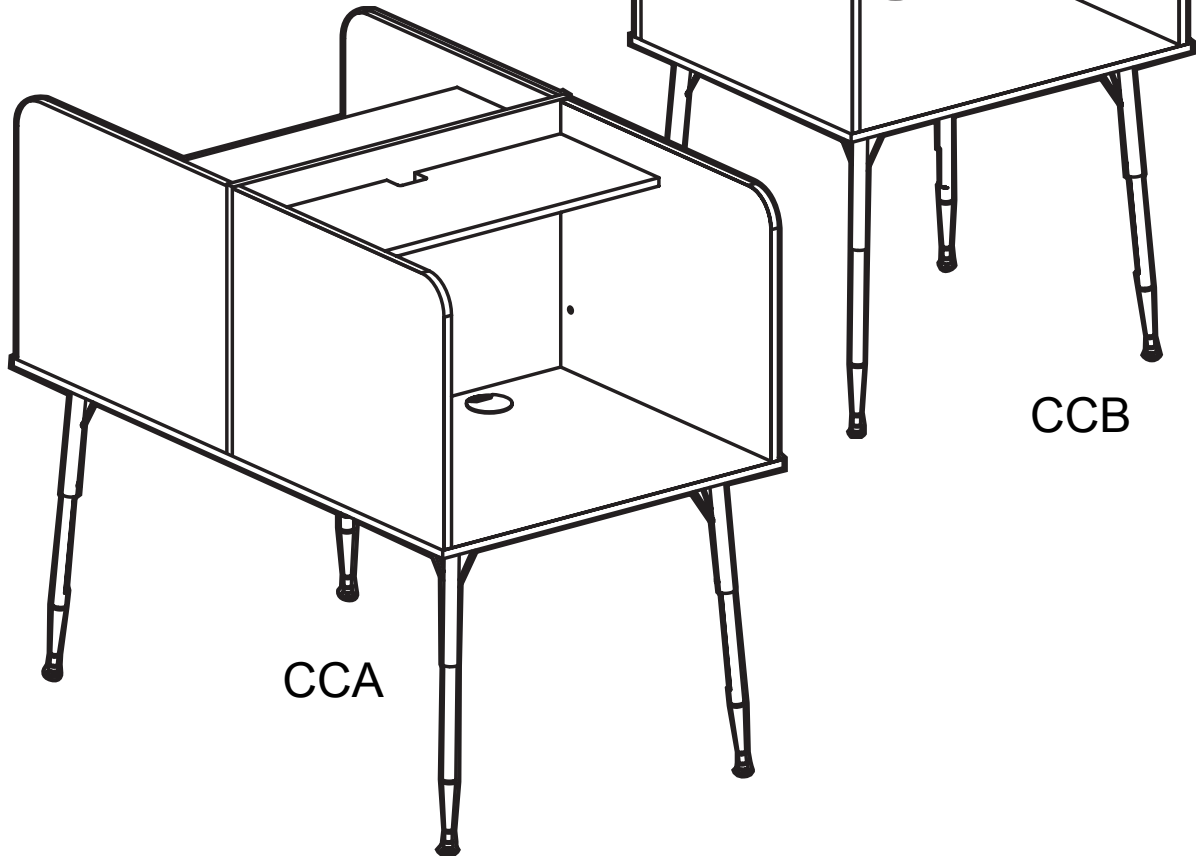




CCA / CCB

COMPUTER CARRELS



IMPORTANT!

Assembly may require the assistance of another person.

Before you begin assembly:

READ THE DIRECTIONS all the way through one time. This will speed up the process and help you understand the sequence of steps.

COUNT THE PARTS AND HARDWARE before assembly. This ensures you have received all necessary parts before you begin.

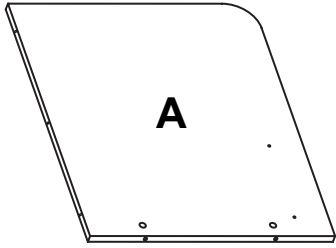
TOOLS: You may need a Phillips head screwdriver, a medium slotted screwdriver or a plastic mallet. To protect your new furniture from damage during assembly, it is recommended to work on a carpeted surface.

In the event any parts are missing from this package, send your name, address, telephone number, and a description of the missing part(s) to: PARTS, Box 1420, Missoula, MT 59806 or call: 1-800-769-5693 or FAX 1-800-445-5281.

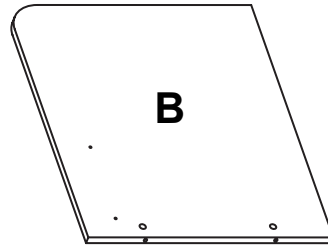
CAUTION: On assemblies requiring glue, make sure the unit is assembled correctly before gluing. Once this unit is assembled with glue, the manufacturer will not be responsible for damaged parts. Keep a damp cloth or sponge handy to wipe off excess glue.

To care for this furniture, simply wipe with a cloth dampened with glass cleaner containing ammonia-D.

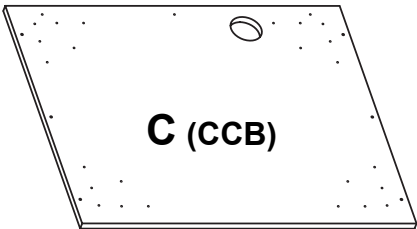
PARTS DIAGRAM



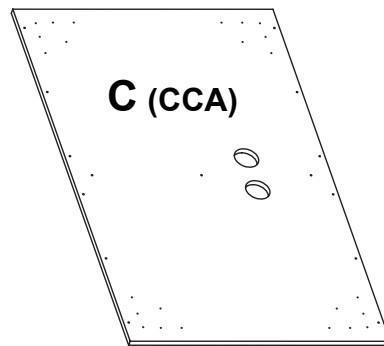
Left Side-CCA	06000141	2 ea.
Left Side-CCB	06000141	1 ea.



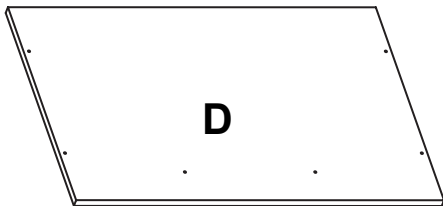
Right Side-CCA	06000141	2 ea.
Right Side-CCB	06000141	1 ea.



Worksurface-CCB	06000201	1 ea.
-----------------	----------	-------



Worksurface-CCA	06000101	1 ea.
-----------------	----------	-------

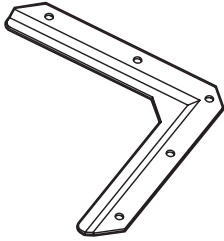


Divider-CCA	06000144	1 ea.
Divider-CCB	06000252	1 ea.

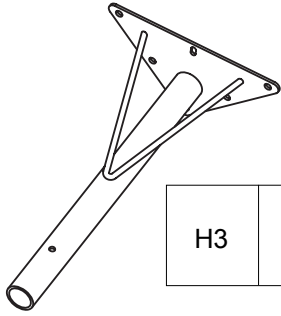


Shelf -CCA	06000127	2 ea.
Shelf -CCB	06000127	1 ea.

HARDWARE



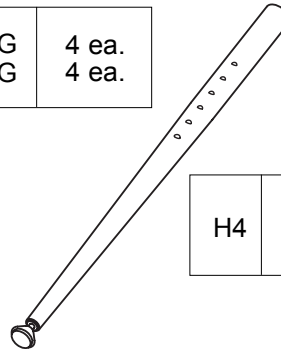
H1	Leg Bracket - CCA	300810	4 ea.
	Leg Bracket - CCB	300810	4 ea.



H3	Upper Leg - CCA	1CCLEG	4 ea.
	Upper Leg - CCB	1CCLEG	4 ea.



H2	Panhead Screw - CCA	901220	24 ea.
	Panhead Screw - CCB	901220	24 ea.



H4	Lower Leg - CCA	1CCLEG	4 ea.
	Lower Leg - CCB	1CCLEG	4 ea.



H5	Allen Head Set Screw - CCA	1CCLEG	4 ea.
	Allen Head Set Screw - CCB	1CCLEG	4 ea.



H6	Minifix Cam - CCA	909810	20 ea.
	Minifix Cam - CCB	909810	10 ea.



H7	Minifix Bolt - CCA	909834	8 ea.
	Minifix Bolt - CCB	909834	10 ea.



H8	Through Bolt - CCA	909852	6 ea.
----	--------------------	--------	-------



H9	Confirmat Screw - CCA	950100	15 ea.
	Confirmat Screw - CCB	950100	9 ea.

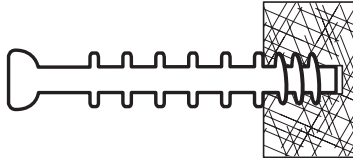


H10	Cord Grommet - CCA	H1480	2 ea.
	Cord Grommet - CCB	H1480	1 ea.

Using the Minifix System:

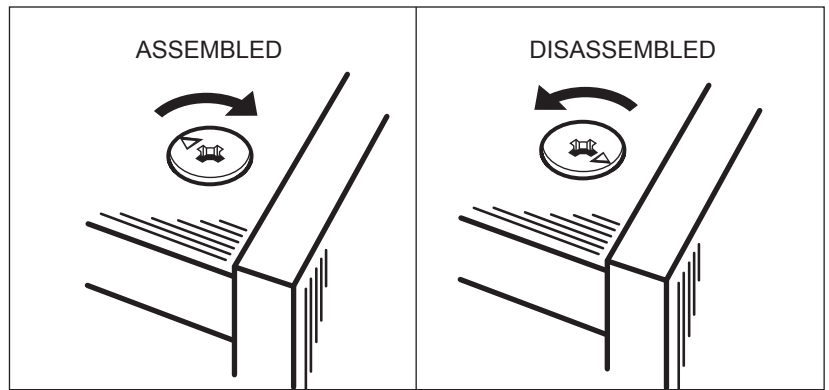
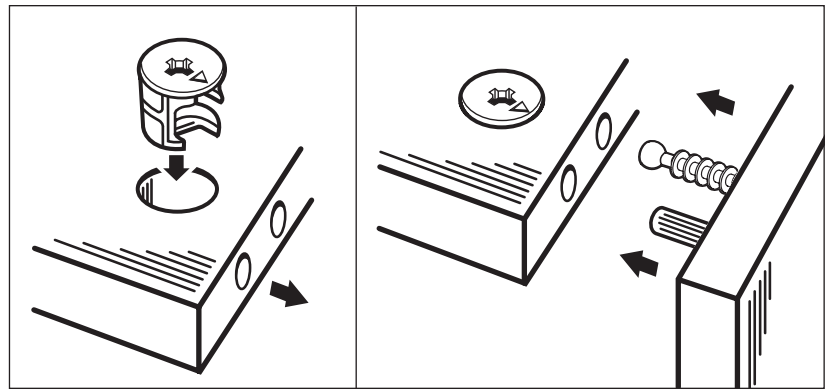
Insert the Minifix Cams into the appropriate holes with the arrow facing outwards as shown.

When screwing post into hole, **Do Not** over tighten. Screw post down until bottom face of post flange just touches board surface.



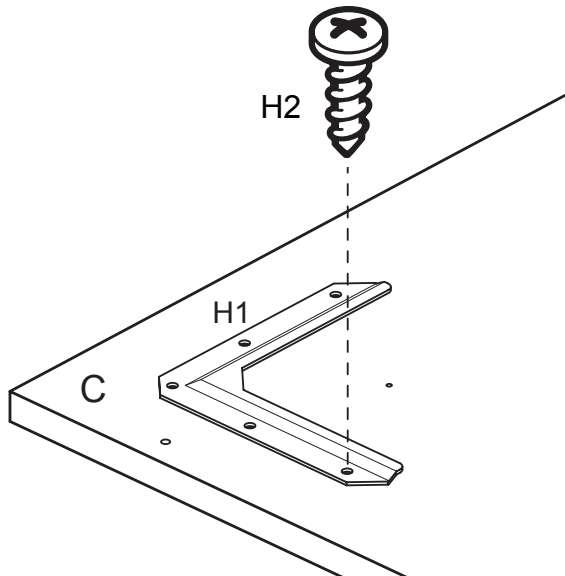
Using the #2 Phillips screwdriver, rotate the Cam Devices a half turn clockwise until snug.

To disassemble, turn the Cam Devices counter-clockwise and remove panels.



#1

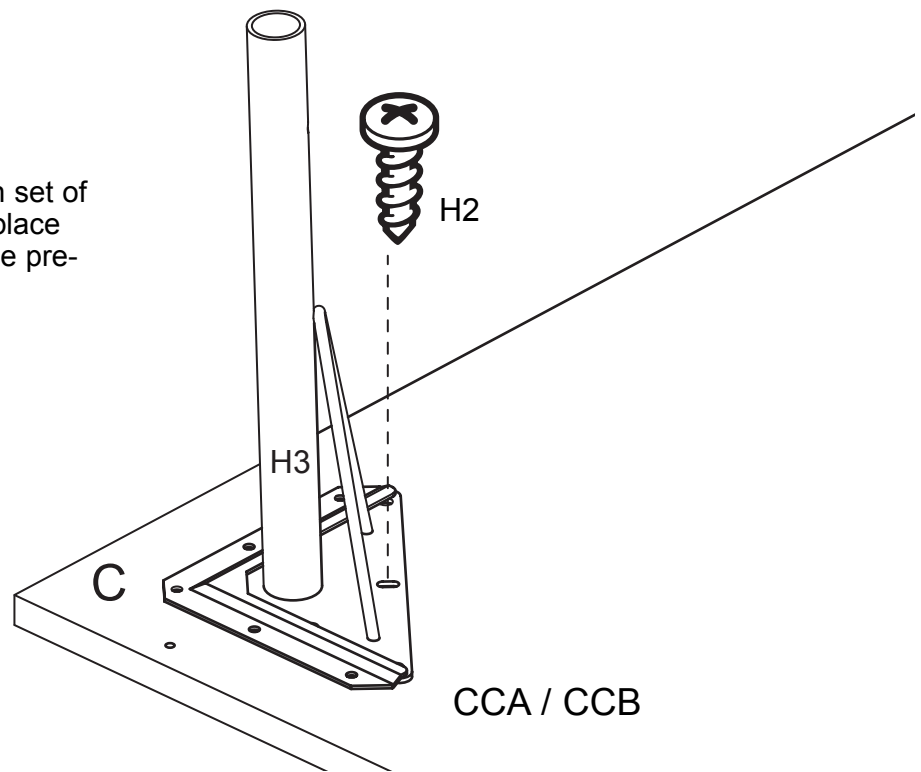
Place the Worksurface (C) face down on a clean, carpeted surface with the pre-drilled holes facing up. Install two Leg Brackets (H1) at each corner of the Worksurface using FIVE Panhead Screws (H2) in the pre-drilled holes as shown.



CCA / CCB

#2

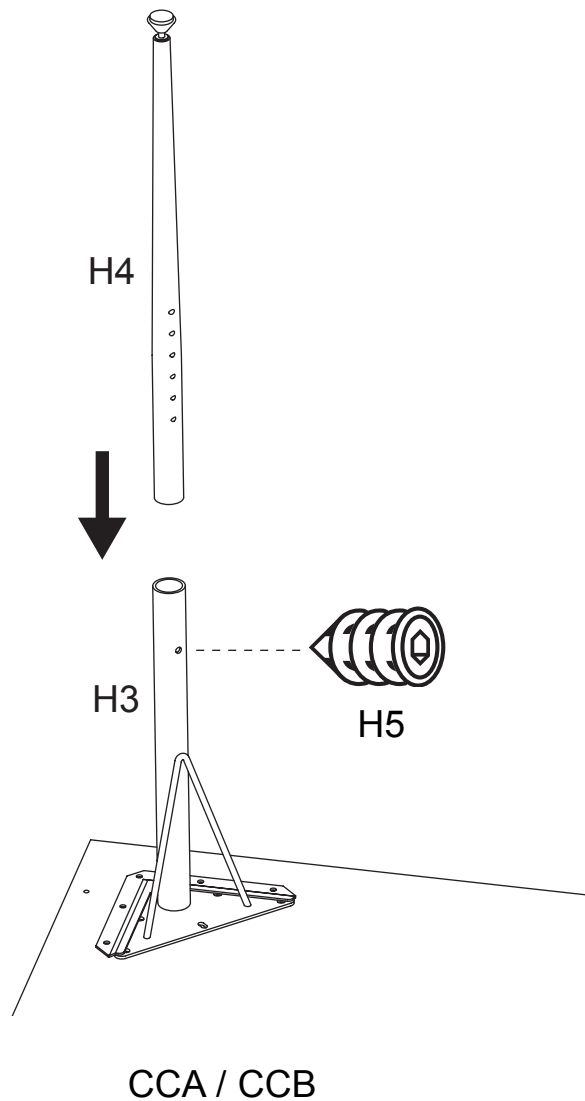
Slide an Upper Leg (H3) into each set of Leg Brackets (H1) and secure in place using a Panhead Screw (H2) in the pre-drilled hole as shown.



#3

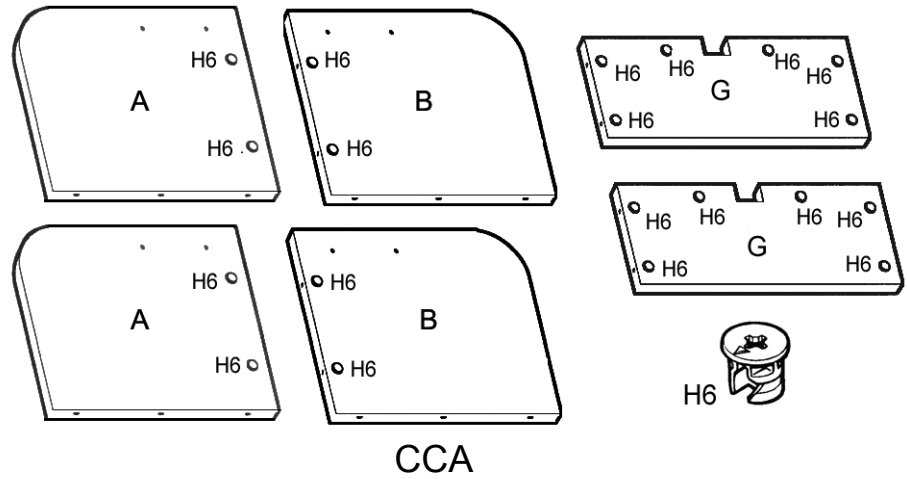
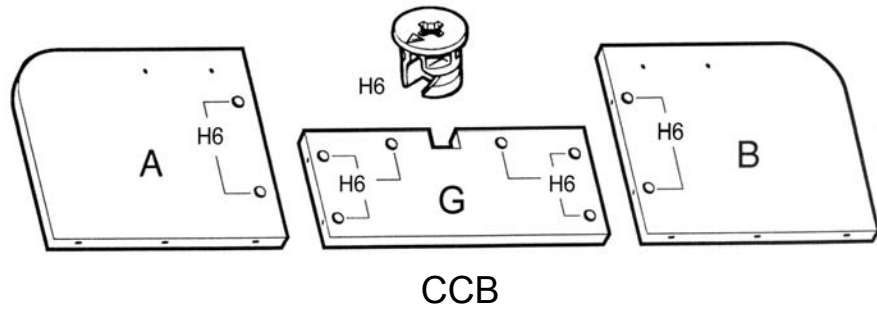
Slide a Lower Leg (H4) into each Upper Leg (H3). Select the desired height and secure in place using an Allen Head Set Screw (H5) as shown.

Repeat this step on the remaining legs.



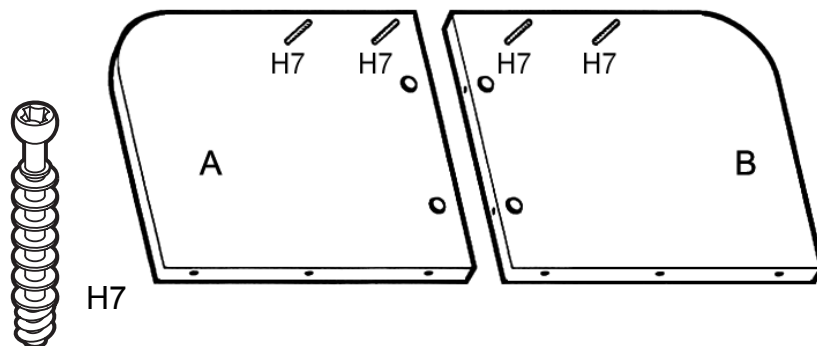
#4

Place the Left Sides (A), Right Sides (B) and Shelves (G) as shown. Insert the Minifix Cams (H6) where indicated with the arrows of the cams facing out.



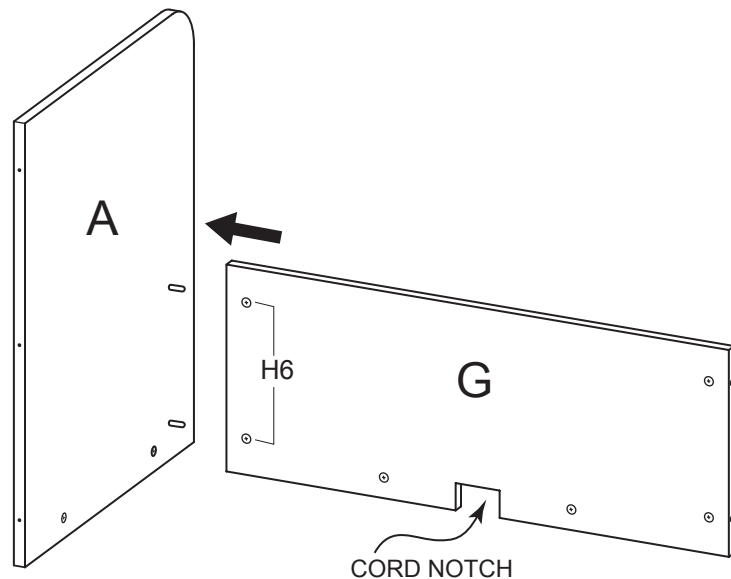
#5

Screw two Minifix Bolts (H7) into the Left Side (A) and Right Side (B) where indicated.



#6

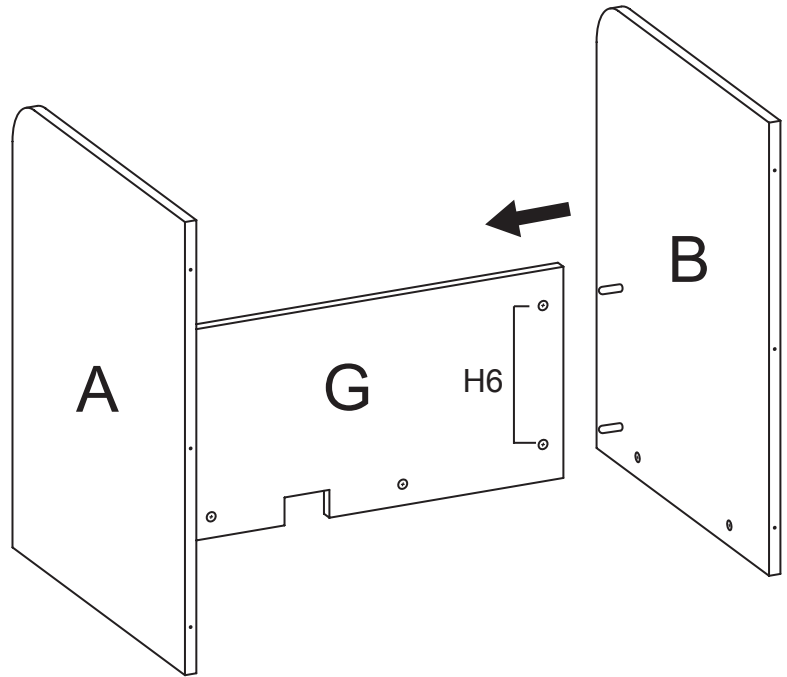
Position a Shelf (G) to a Left Side (A) with the cord notch oriented as shown. Secure in place by turning the arrows of the Minifix Cams (H6) clockwise to secure.



#7

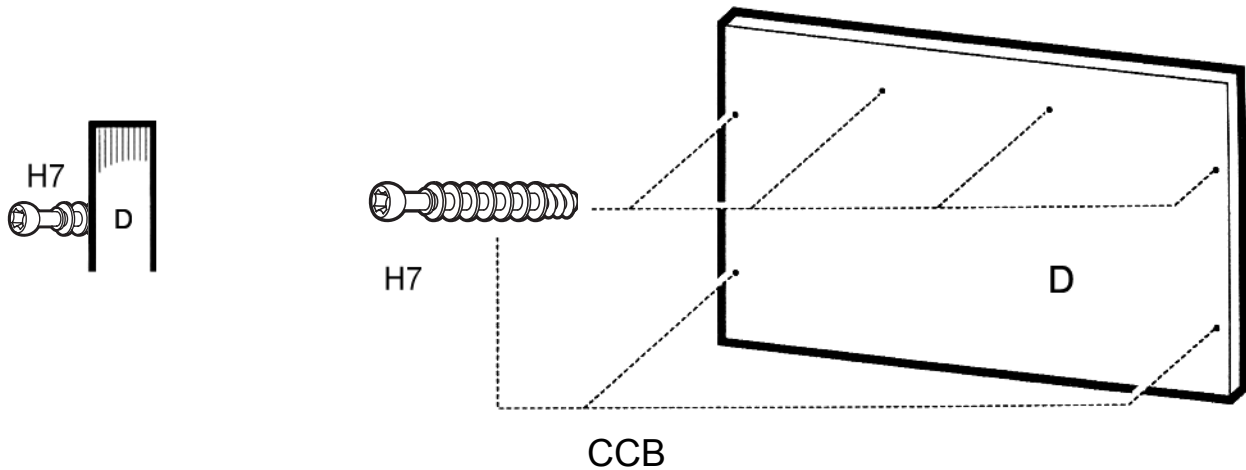
Place a Right Side (B) onto the other end of the Shelf (G) as shown. Turn the arrows of the Minifix Cams of the shelf clockwise to secure.

For the CCA unit repeat Steps 5, 6 & 7 to build the other Shelf-and-Side assembly.

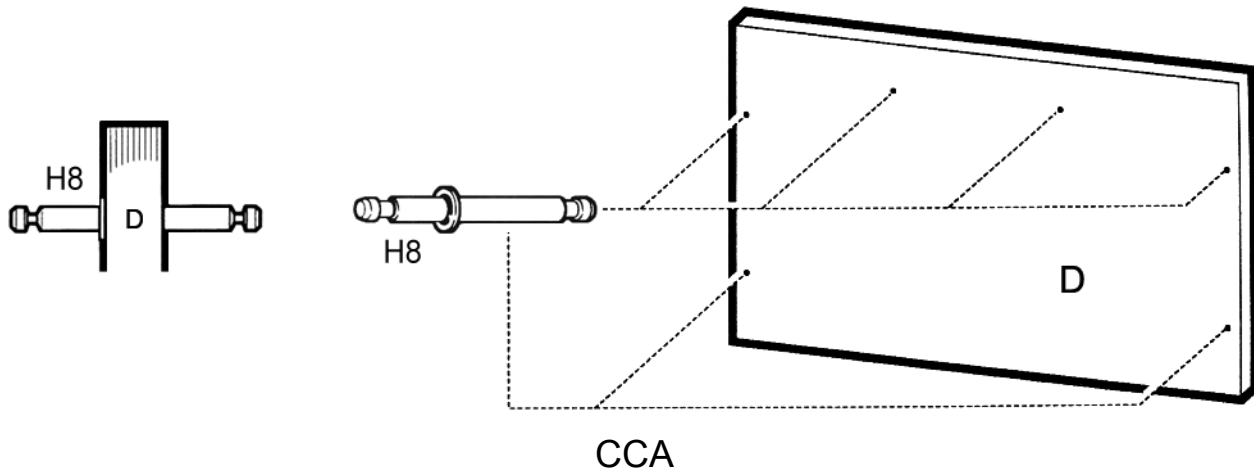


#8

For CCB screw six Minifix Bolts (H7) into the Back (D) where indicated.

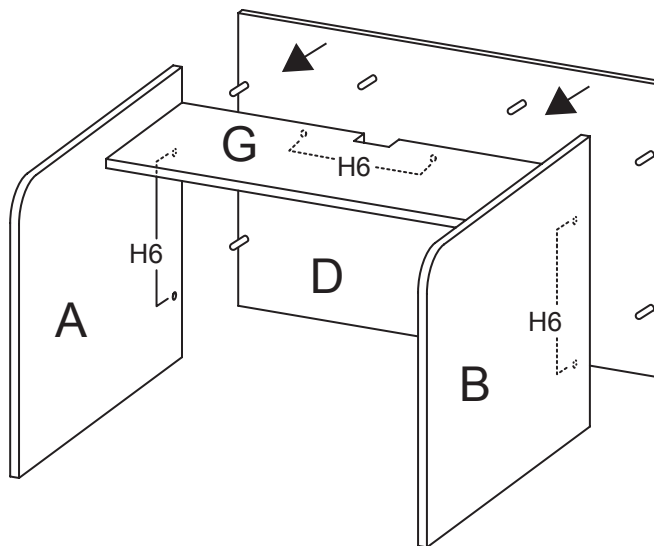


For CCA insert six Through Bolts (H8) into the pre-drilled holes of the Back (D) as shown.



#9

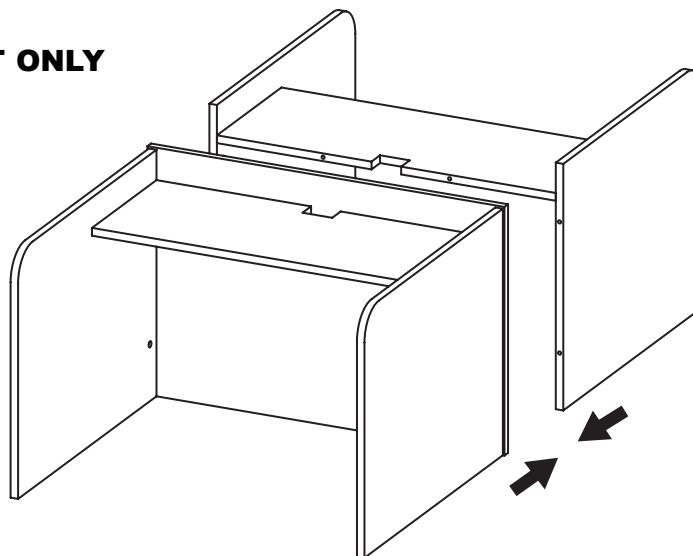
Turn the Shelf-and-Side assembly upright as shown. Position the Back (D) onto the assembly and turn the cams (H6) of the Left Side (A), Right Side (B) and the Shelf (G) clockwise to secure.



#10

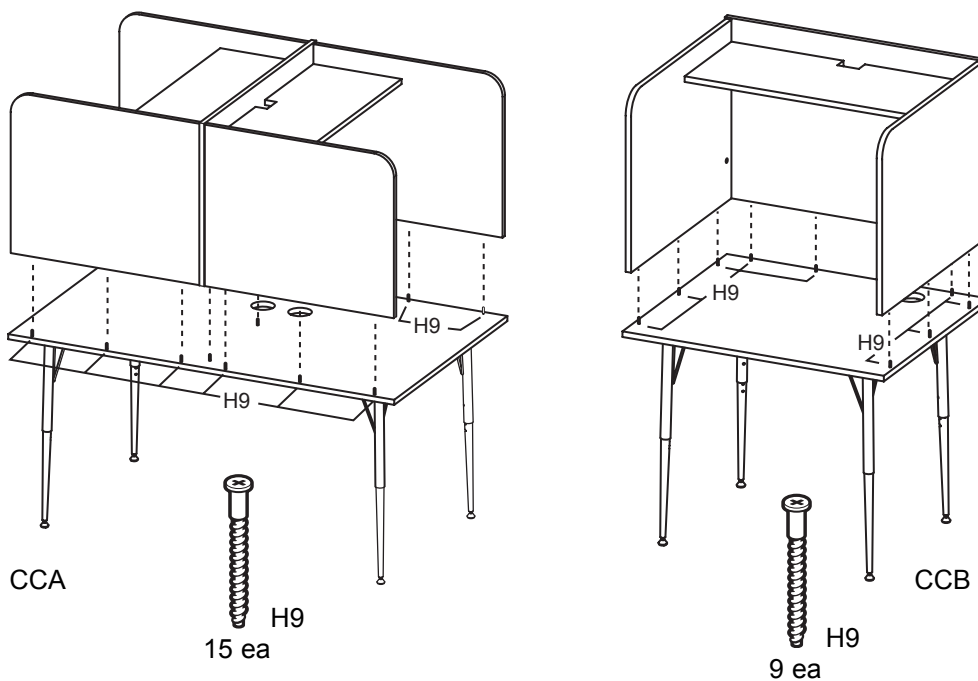
THIS STEP FOR CCA UNIT ONLY

Position the other Shelf-and-Side assembly onto the other side of the Back (D) and turn the cams of the Left Side (A), Right Side (B) and Shelf (G) clockwise to secure.



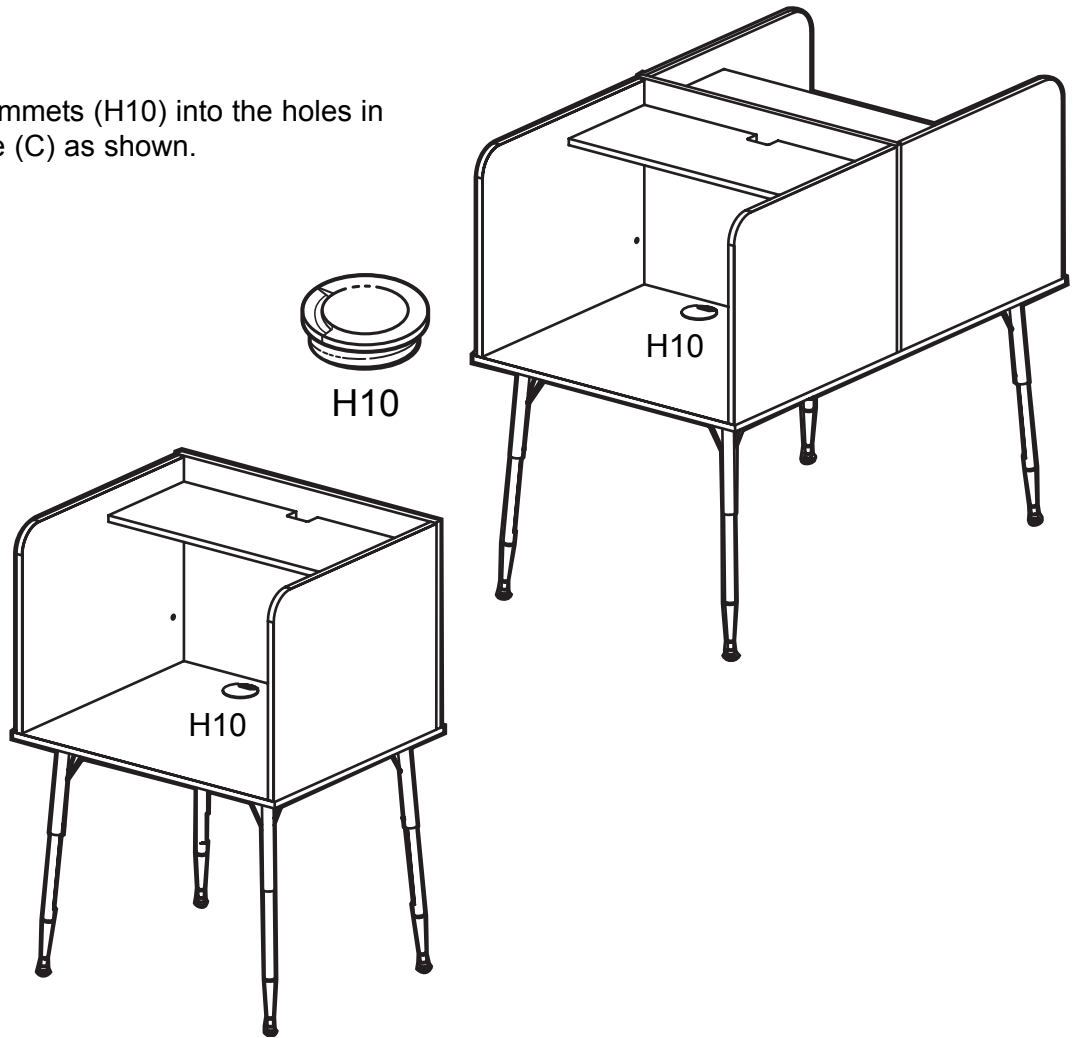
#11

With the assistance of another person, place the assembly onto the Worksurface (C) as shown. Secure in place using Confirmat Screws (H9) through the Worksurface (C) into the pre-drilled holes in the bottom edges of the Shelf-and-Side assembly.



#12

Press Cord Grommets (H10) into the holes in the Worksurface (C) as shown.



Your Computer Carrel is now fully assembled and ready for use.