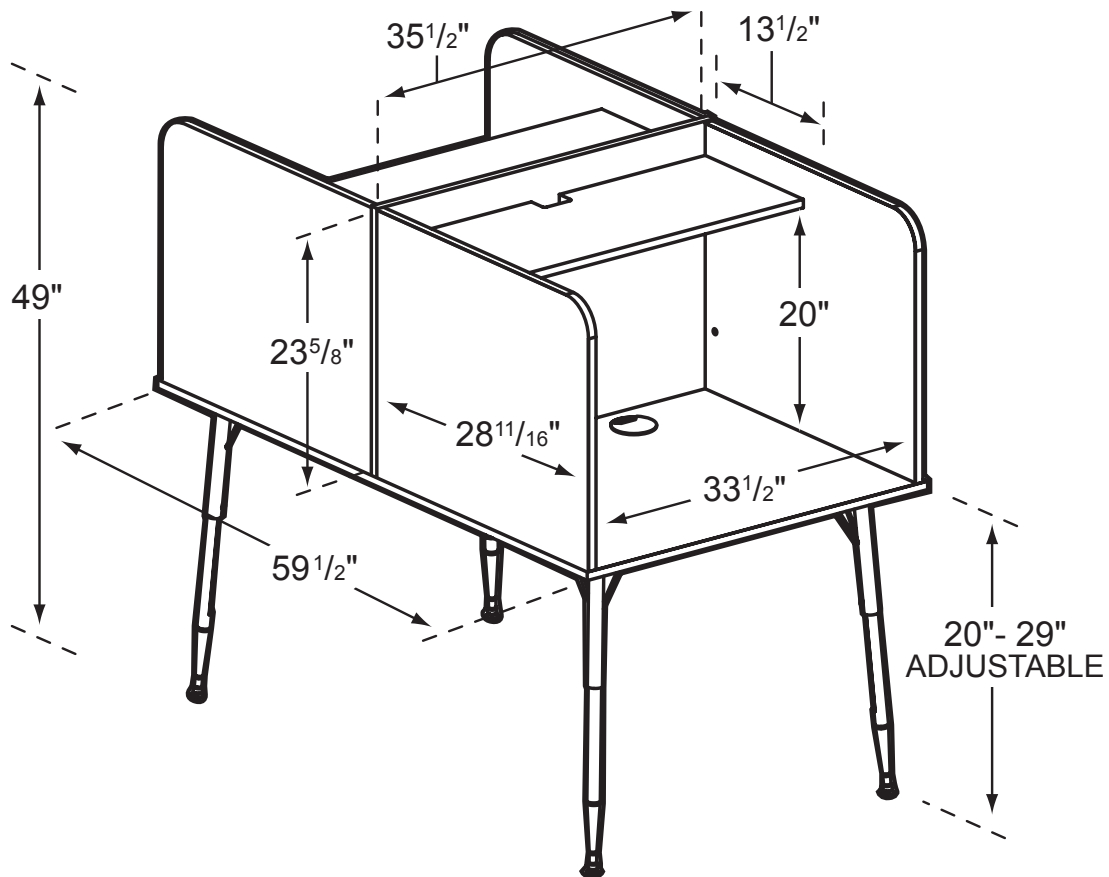


# CCA

## Computer Carrel Back to Back



### Product Specs

- ¾" thermal fused laminate
- Cam and post construction
- Matched edge banding
- Wire access through shelf and work surface
- Quick mount legs Blk uppers/ Chrome inserts