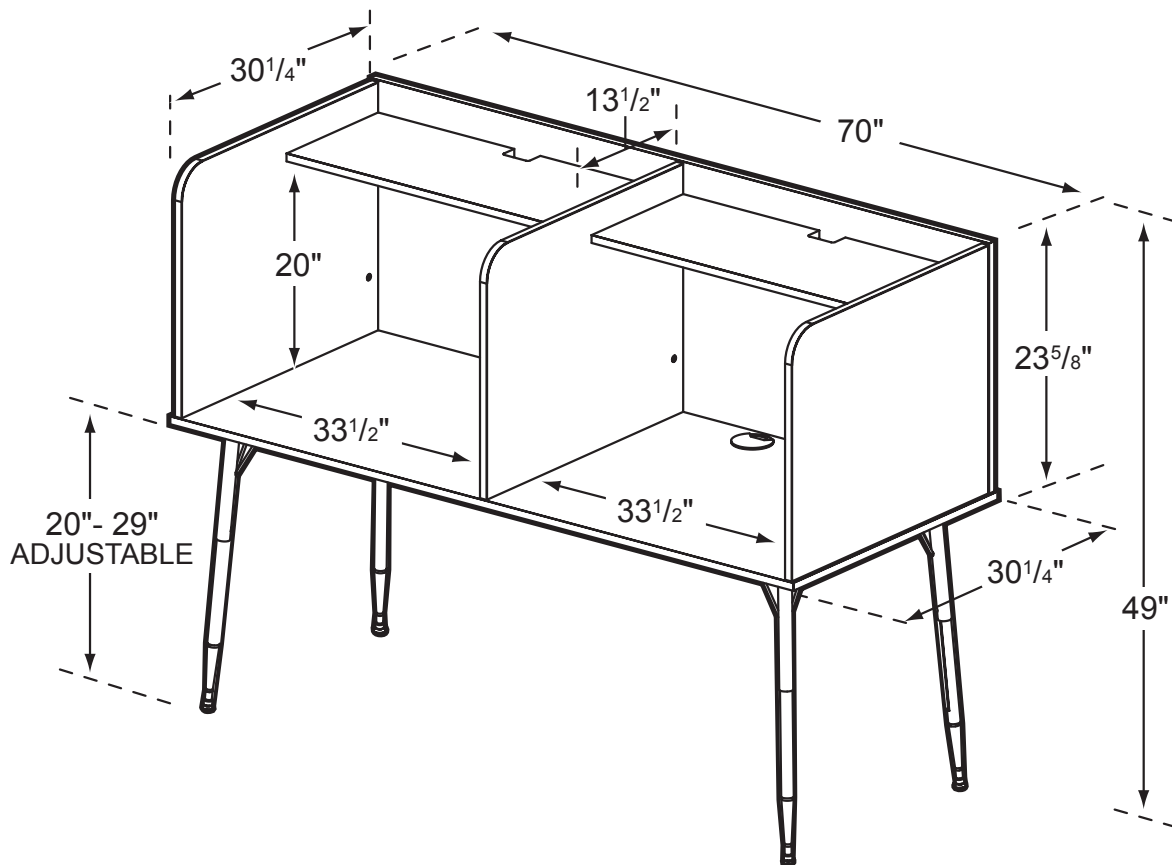


CSS

Computer Carrel Side by Side



Product Specs

- 3/4" thermal fused laminate
- Cam and post construction
- Matched edge banding
- Wire access through shelf and work surface
- Quick mount legs Blk uppers/ Chrome inserts