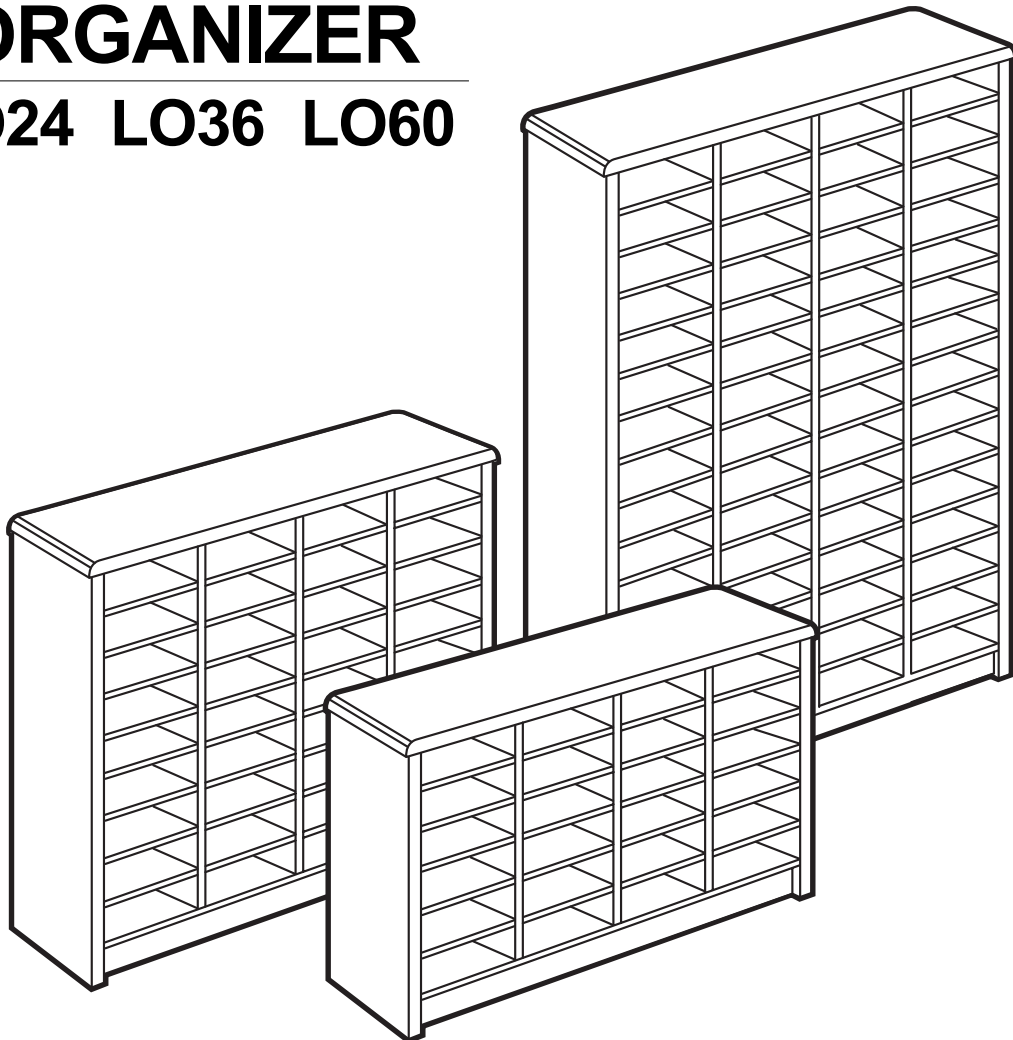




LITERATURE ORGANIZER

LO24 LO36 LO60



IMPORTANT!

Assembly may require the assistance of another person.

Before you begin assembly:

READ THE DIRECTIONS all the way through one time. This will speed up the process and help you understand the sequence of steps.

COUNT THE PARTS AND HARDWARE before assembly. This ensures you have received all necessary parts before you begin.

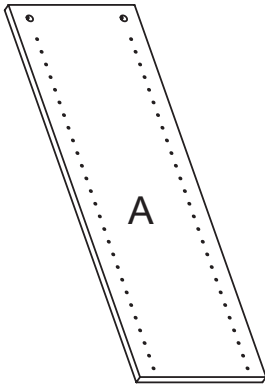
TOOLS: You may need a Phillips head screwdriver, a medium slotted screwdriver or a plastic mallet. To protect your new furniture from damage during assembly, it is recommended to work on a carpeted surface.

In the event any parts are missing from this package, send your name, address, telephone number, and a description of the missing part(s) to: **PARTS, Box 1420, Missoula, MT 59806** or call: **1-800-769-5693** or **FAX 1-800-445-5281**.

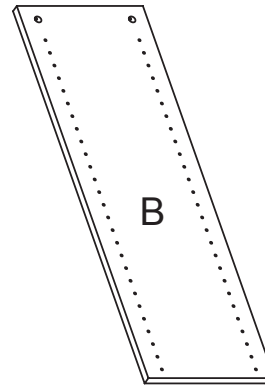
CAUTION: On assemblies requiring glue, make sure the unit is assembled correctly before gluing. Once this unit is assembled with glue, the manufacturer will not be responsible for damaged parts. Keep a damp cloth or sponge handy to wipe off excess glue.

To care for this furniture, simply wipe with a cloth dampened with glass cleaner containing ammonia-D.

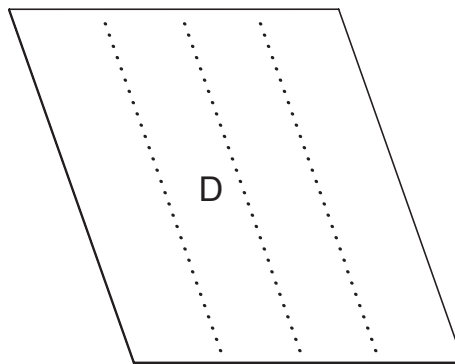
PARTS DIAGRAM



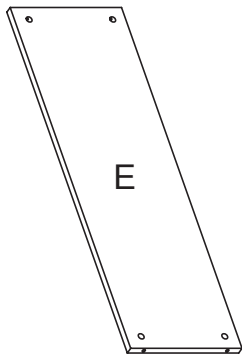
Left Side Panel - LO24	05861741	1 ea.
Left Side Panel - LO36	05861841	1 ea.
Left Side Panel - LO60	05861941	1 ea.



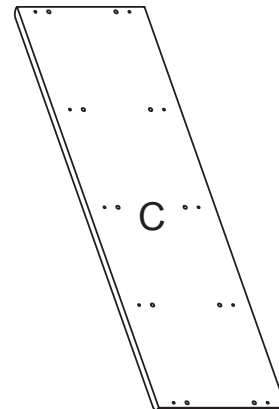
Right Side Panel - LO24	05861741	1 ea.
Right Side Panel - LO36	05861841	1 ea.
Right Side Panel - LO60	05861941	1 ea.



Back - LO24	058617	1 ea.
Back - LO36	058618	1 ea.
Back - LO60	058619	1 ea.



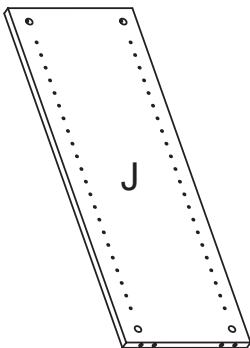
Bottom - LO24	05861711	1 ea.
Bottom - LO36	05861711	1 ea.
Bottom - LO60	05861711	1 ea.



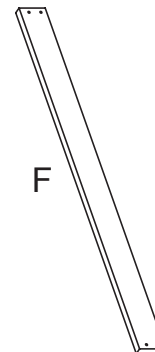
Top - LO24	05861701	1 ea.
Top - LO36	05861701	1 ea.
Top - LO60	05861701	1 ea.



Shelf - LO24	05861727	20 ea.
Shelf - LO36	05861727	32 ea.
Shelf - LO60	05861727	56 ea.



Dividers - LO24	05861744	3 ea.
Dividers - LO36	05861844	3 ea.
Dividers - LO60	05861944	3 ea.



Toe Board - LO24	05861772	1 ea.
Toe Board - LO36	05861772	1 ea.
Toe Board - LO60	05861772	1 ea.

HARDWARE



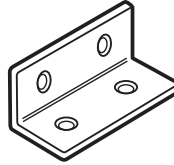
H1	Minifix Cam	909810	20 ea.
----	-------------	--------	--------



H2	Minifix Bolt	909834	20 ea.
----	--------------	--------	--------



H3	Wood Dowel	195000	16 ea.
----	------------	--------	--------



H4	Angle Bracket	401170	2 ea.
----	---------------	--------	-------



H5	Varianta Screws	988060	8 ea.
----	-----------------	--------	-------



H6	Nails - LO24	970000	22 ea.
	Nails - LO36	970000	22 ea.
	Nails - LO60	970000	22 ea.



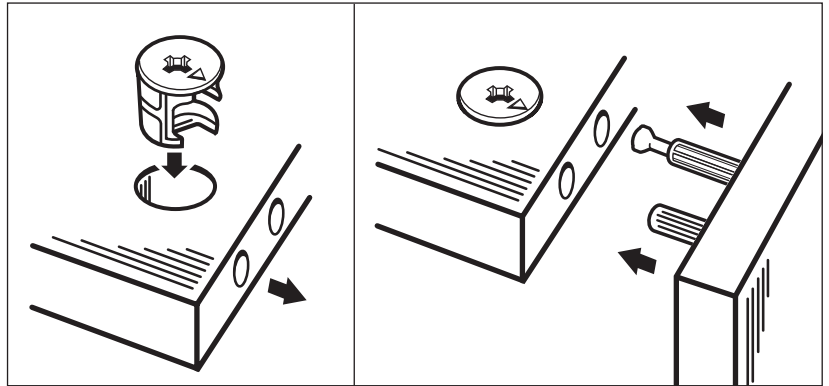
H7	Shelf Pins - LO24	297210	80 ea.
	Shelf Pins - LO36	297210	128 ea.
	Shelf Pins - LO60	297210	224 ea.



H8	Plastic Shelf Molding - LO24	H3404	20 ea.
	Plastic Shelf Molding - LO36	H3404	32 ea.
	Plastic Shelf Molding - LO60	H3404	56 ea.

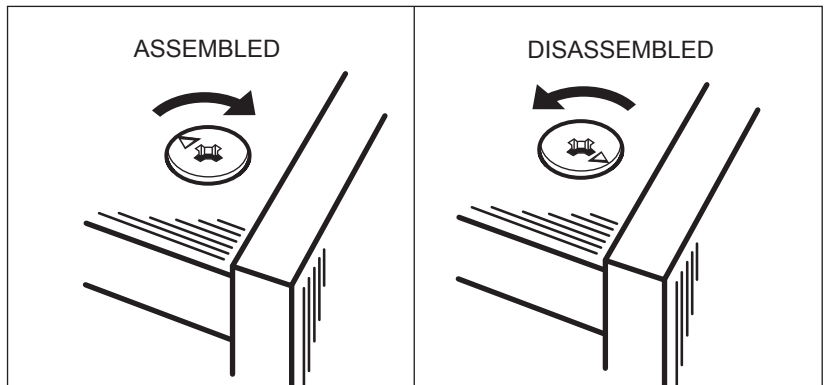
Using the Minifix System:

Insert the Minifix Cams into the appropriate holes with the arrow facing outwards as shown.



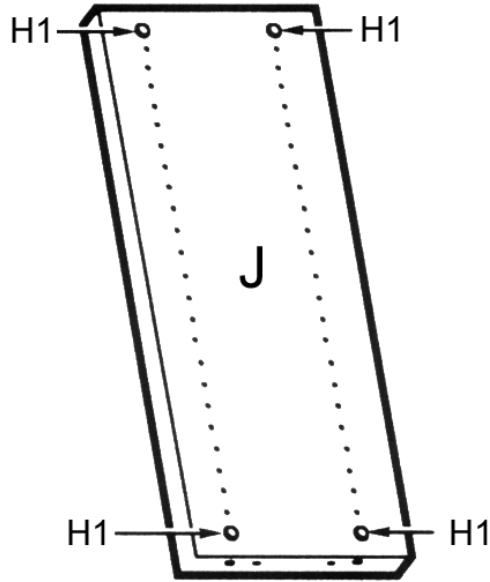
Using the #2 Phillips screwdriver, rotate the Cam Devices a half turn clockwise until snug.

To disassemble, turn the Cam Devices counter-clockwise and remove panels.



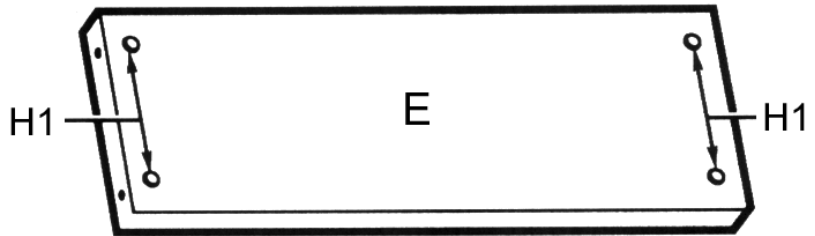
#1

Insert four Minifix Cams (H1) into each of the three Divider Panels (J) with the arrow on the Camfacing out.



#2

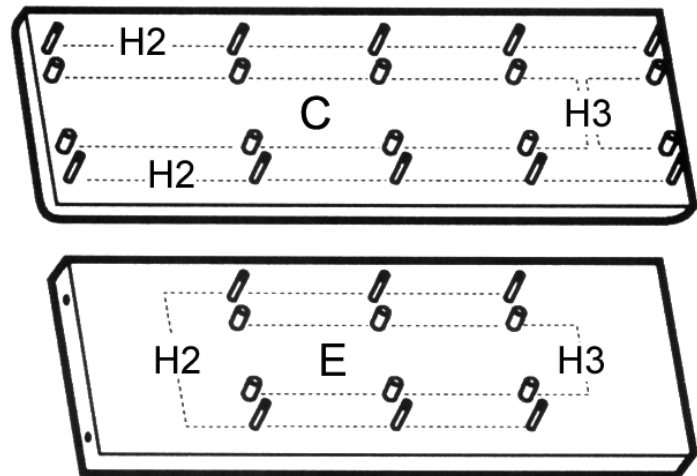
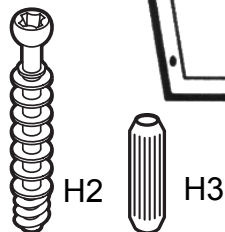
Insert four Minifix Cams (H1) into the underside of the Bottom Panel (E) with the arrows facing out.



#3

Place Top Panel (C) and Bottom Panel (E) on a clean, carpeted surface as shown. Install Minifix Bolts (H2) in the pre-drilled holes as indicated.

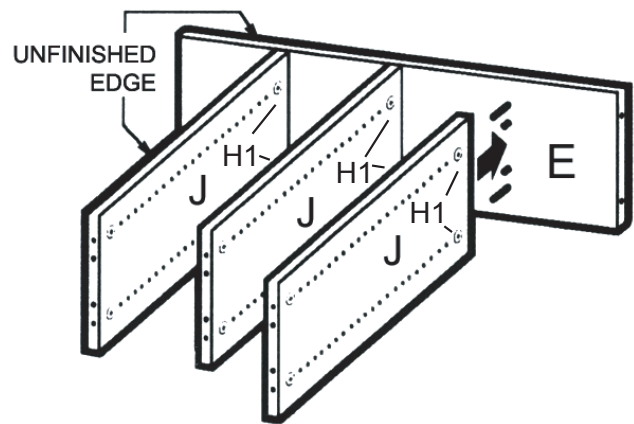
Insert Wood Dowels (H3) into the pre-drilled holes of Top Panel and Bottom Panel as indicated.



#4

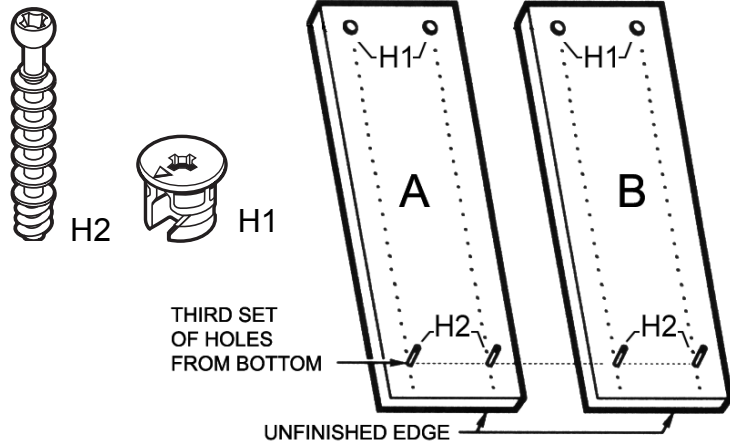
Position Bottom Panel (E) with the unfinished edge facing up as shown.

Position each Divider (J) onto the corresponding bolts and dowels of the Bottom Panel with the unfinished edge up as shown. Rotate the 6 Minifix Cams (H1) clockwise to lock Dividers in place as shown.



#5

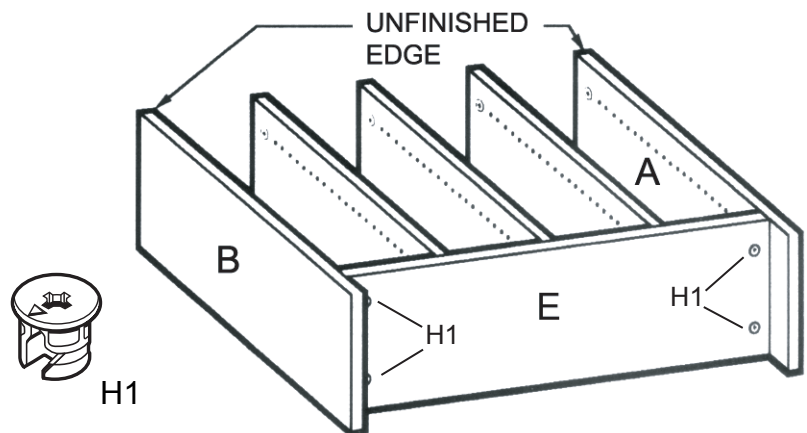
Place Left and Right Side Panels (A & B) on a clean, carpeted surface as shown. Install Minifix Bolts (H2) and Minifix Cams (H1) where indicated.



#6

Position the Left and Right side Panels (A & B) onto Bottom Panel (E) with the unfinished edges facing up as shown.

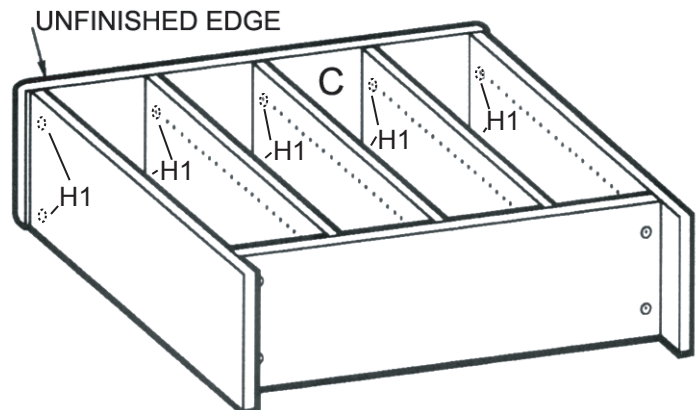
Rotate the 4 Cams (H1) clockwise to lock the Left and Right Side Panels (A & B) in place.



#7

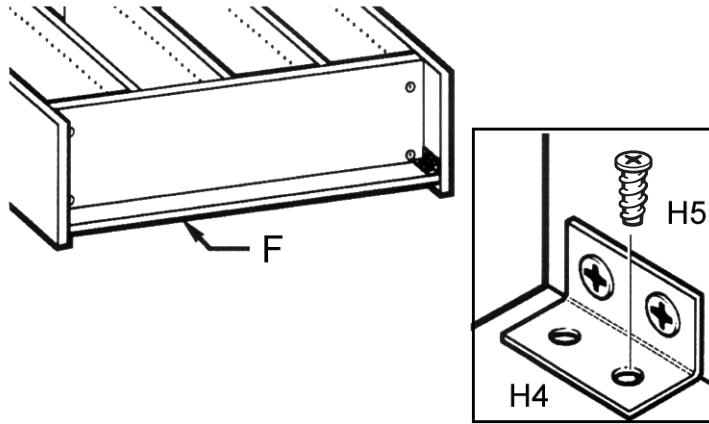
Position the Top Panel (C) onto the unit with the unfinished edge facing up as shown.

Rotate the 10 Cams clockwise to lock the Top Panel in place.



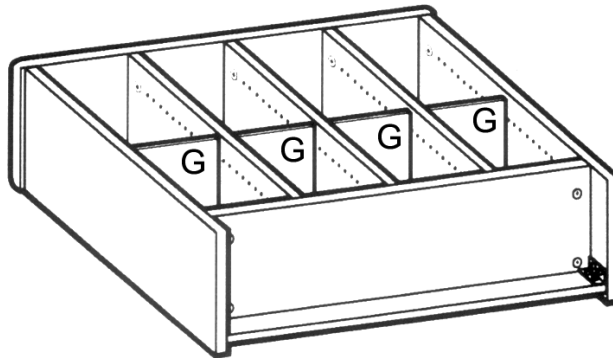
#8

Align Toe Space (F) between the End Panels (A & B) and secure in place using two Angle Brackets (H4) and the Varianta Screws (H5) as shown.



#9

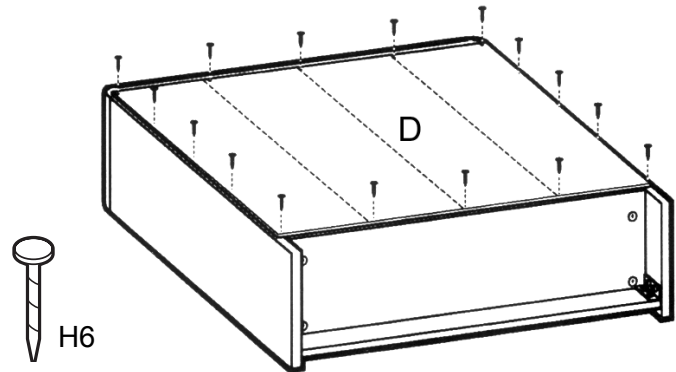
Insert four Shelves (G) between Dividers and End Panels at halfway between the top and bottom as shown.



#10

Position the Back (D) onto the unit and secure in place using Nails (H6) as shown.

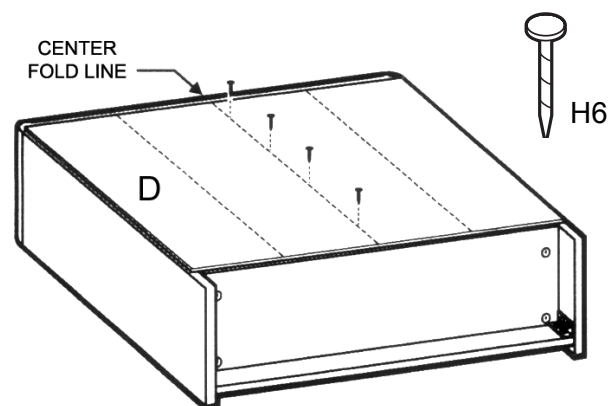
Note: Be careful to drive the Nails into the centers of panels. Nails should be evenly spaced as shown.



#11

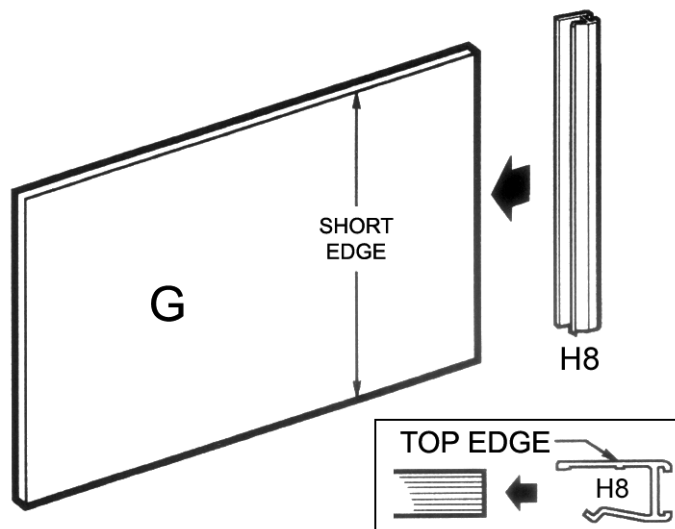
Secure the Back (D) to the center Divider using Nails (H6) through the center fold line as shown.

Note: Be careful to drive the Nails into the centers of panels. Nails should be evenly spaced as shown.



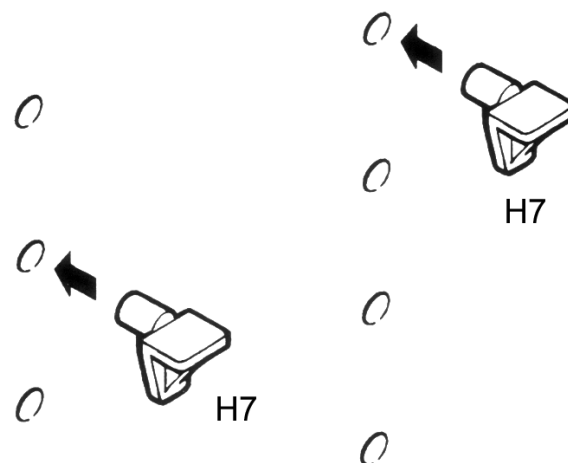
#12

Stand the unit upright. Press a Plastic Shelf Molding (H8) onto a short edge of each of the Shelves (G) as shown.



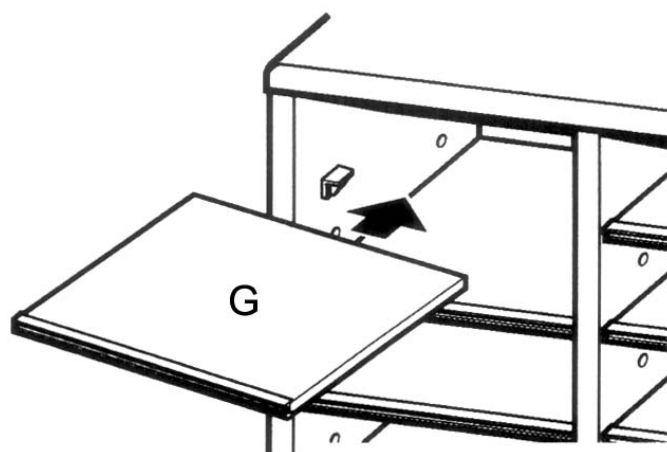
#13

Determine the appropriate Shelf heights and insert Shelf supports (H7) into the corresponding pre-drilled holes of the Sides as shown.



#14

Tilt shelves (G) slightly to insert into the unit. Position onto the Shelf Supports (H7) with Label Holder Moldings forward as shown.



Your Literature Organizer is now assembled and ready for use.