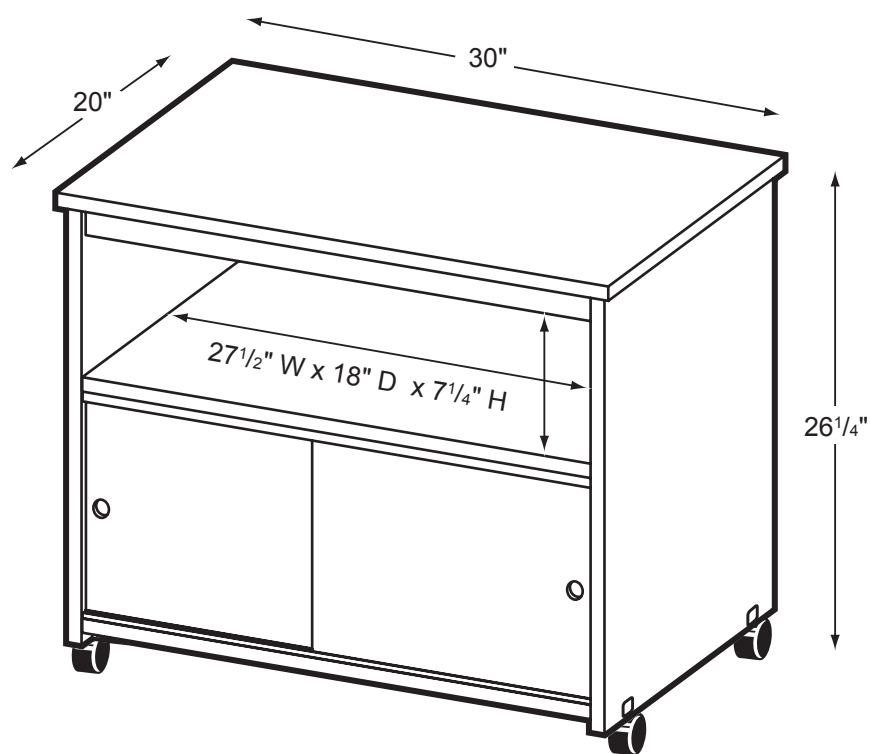


MPS

Multi-Purpose Stand



Product Specs

- 3/4" thermal fused laminate
- Cam and post construction
- Matched edge banding
- Open storage on top
- Sliding doors on Lower portion
- Reinforced 2" casters (2 locking)