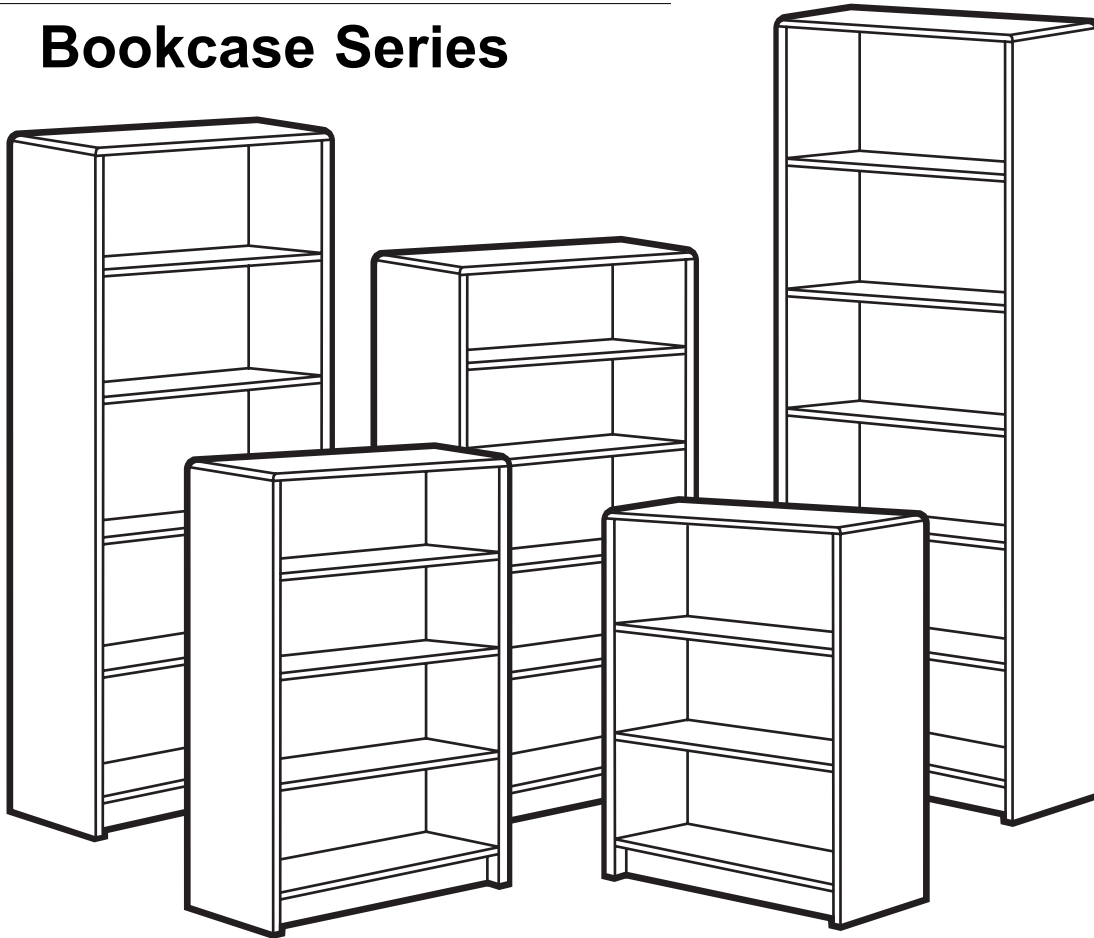




42SFB 48SFB 60SFB 72SFB 84SFB

Bookcase Series



IMPORTANT!

Assembly may require the assistance of another person.

Before you begin assembly:

READ THE DIRECTIONS all the way through one time. This will speed up the process and help you understand the sequence of steps.

COUNT THE PARTS AND HARDWARE before assembly. This ensures you have received all necessary parts before you begin.

TOOLS: You may need a Phillips head screwdriver, a medium slotted screwdriver or a plastic mallet. To protect your new furniture from damage during assembly, it is recommended to work on a carpeted surface.

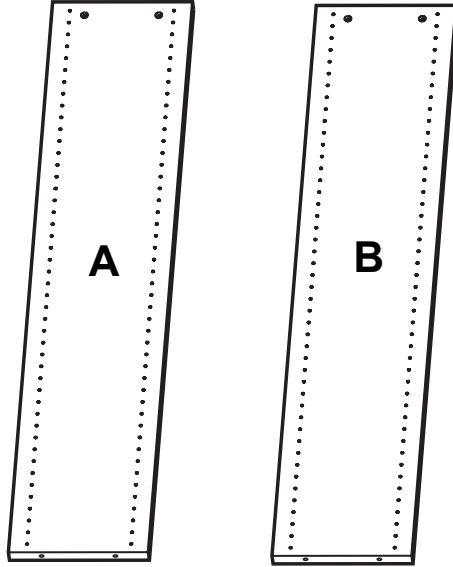
In the event any parts are missing from this package, send your name, address, telephone number, and a description of the missing part(s) to: **PARTS, Box 1420, Missoula, MT 59806** or call: **1-800-769-5693** or **FAX 1-800-445-5281**.

CAUTION: On assemblies requiring glue, make sure the unit is assembled correctly before gluing. Once this unit is assembled with glue, the manufacturer will not be responsible for damaged parts. Keep a damp cloth or sponge handy to wipe off excess glue.

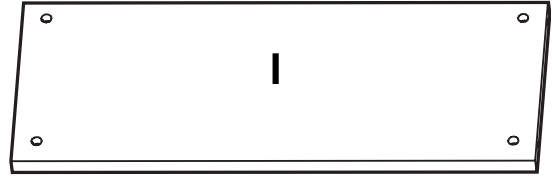
To care for this furniture, simply wipe with a cloth dampened with glass cleaner containing ammonia-D.

PARTS DIAGRAM

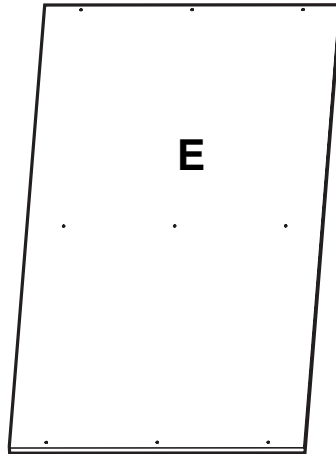
To determine the size of your bookcase, measure the total length of Side (A).



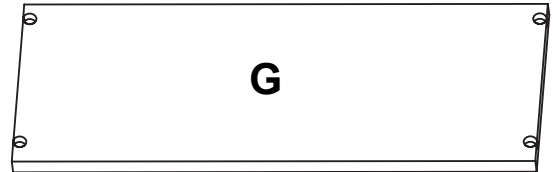
| | | |
|----------|---------|------|
| 42" Side | 5860141 | 2 ea |
| 48" Side | 5860241 | 2 ea |
| 60" Side | 5860341 | 2 ea |
| 72" Side | 5860441 | 2 ea |
| 84" Side | 5860541 | 2 ea |



| | | |
|-----------------|---------|------|
| 42" Fixed Shelf | 5860121 | 1 ea |
| 48" Fixed Shelf | 5860121 | 1 ea |
| 60" Fixed Shelf | 5860121 | 2 ea |
| 72" Fixed Shelf | 5860121 | 2 ea |
| 84" Fixed Shelf | 5860121 | 3 ea |



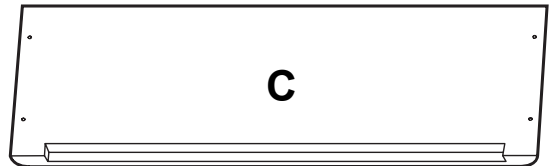
| | | |
|----------|---------|------|
| 42" Back | 5860152 | 1 ea |
| 48" Back | 5860252 | 1 ea |
| 60" Back | 5860352 | 1 ea |
| 72" Back | 5860452 | 1 ea |
| 84" Back | 5860552 | 1 ea |



| | | |
|----------------------|----------|------|
| 42" Adjustable Shelf | 05860124 | 2 ea |
| 48" Adjustable Shelf | 05860124 | 3 ea |
| 60" Adjustable Shelf | 05860124 | 3 ea |
| 72" Adjustable Shelf | 05860124 | 3 ea |
| 84" Adjustable Shelf | 05860124 | 3 ea |



| | | |
|---------------|---------|------|
| F | | |
| 42" Toe Board | 5860172 | 1 ea |
| 48" Toe Board | 5860172 | 1 ea |
| 60" Toe Board | 5860172 | 1 ea |
| 72" Toe Board | 5860172 | 1 ea |
| 84" Toe Board | 5860172 | 1 ea |



| | | |
|---------|---------|------|
| 42" Top | 5860101 | 1 ea |
| 48" Top | 5860101 | 1 ea |
| 60" Top | 5860101 | 1 ea |
| 72" Top | 5860101 | 1 ea |
| 84" Top | 5860101 | 1 ea |

HARDWARE



| | | | |
|----|-----------|--------|-------------|
| H1 | Rafix Cam | 909910 | 42"– 8 ea. |
| | | 909910 | 48"– 12 ea. |
| | | 909910 | 60"– 12 ea. |
| | | 909910 | 72"– 12 ea. |
| | | 909910 | 84"– 12 ea. |



| | | | |
|----|-------------|--------|-------------|
| H2 | Minifix Cam | 909810 | 42"– 8 ea. |
| | | 909810 | 48"– 8 ea. |
| | | 909810 | 60"– 12 ea. |
| | | 909810 | 72"– 12 ea. |
| | | 909810 | 84"– 16 ea. |



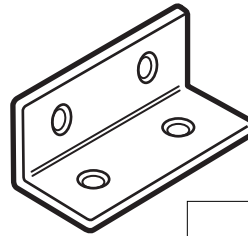
| | | | |
|----|--------------|--------|-------------|
| H3 | Minifix Bolt | 909834 | 42"– 8 ea. |
| | | 909834 | 48"– 8 ea. |
| | | 909834 | 60"– 12 ea. |
| | | 909834 | 72"– 12 ea. |
| | | 909834 | 84"– 16 ea. |



| | | | |
|----|------------|--------|-------------|
| H4 | Rafix Bolt | 909923 | 42"– 8 ea. |
| | | 909923 | 48"– 12 ea. |
| | | 909923 | 60"– 12 ea. |
| | | 909923 | 72"– 12 ea. |
| | | 909923 | 84"– 12 ea. |



| | | | |
|----|--------------------------|--------|-------------|
| H5 | #8 x 1" Panhead Screw | 901227 | 42"– 6 ea. |
| | | 901227 | 48"– 6 ea. |
| | | 901227 | 60"– 9 ea. |
| | | 901227 | 72"– 9 ea. |
| | | 901227 | 84"– 12 ea. |



| | | | |
|----|---------------|--------|-------|
| H6 | Angle Bracket | 401170 | 2 ea. |
|----|---------------|--------|-------|



| | | | |
|----|----------|--------|-------|
| H7 | Varianta | 988060 | 8 ea. |
|----|----------|--------|-------|



| | | | |
|----|------------|--------|------------|
| H8 | Tack Glide | 300865 | 42"– 0 ea. |
| | | 300865 | 48"– 0 ea. |
| | | 300865 | 60"– 2 ea. |
| | | 300865 | 72"– 2 ea. |
| | | 300865 | 84"– 2 ea. |



| | | | |
|----|----------------|--------|------------|
| H9 | Leveler Insert | 274650 | 42"– 0 ea. |
| | | 274650 | 48"– 0 ea. |
| | | 274650 | 60"– 2 ea. |
| | | 274650 | 72"– 2 ea. |
| | | 274650 | 84"– 2 ea. |

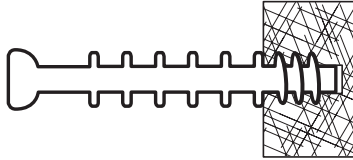


| | | | |
|-----|---------|--------|------------|
| H10 | Leveler | 300880 | 42"– 0 ea. |
| | | 300880 | 48"– 0 ea. |
| | | 300880 | 60"– 2 ea. |
| | | 300880 | 72"– 2 ea. |
| | | 300880 | 84"– 2 ea. |

Using the Minifix System:

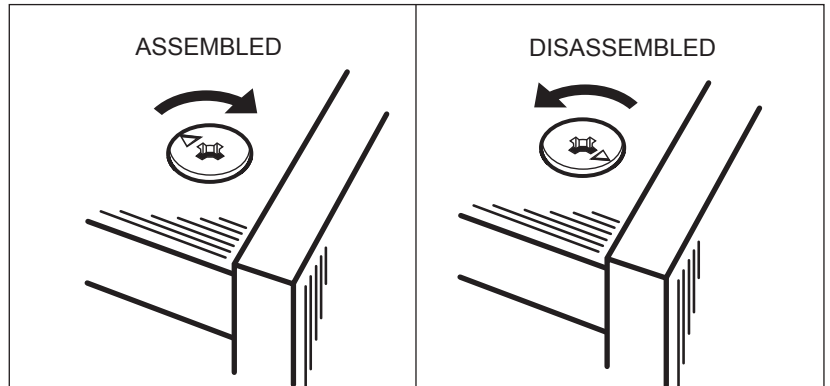
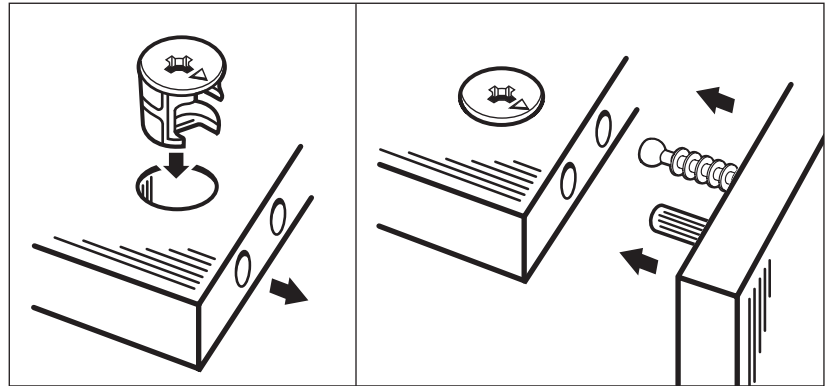
Insert the Minifix Cams into the appropriate holes with the arrow facing outwards as shown.

When screwing post into hole, **Do Not** over tighten. Screw post down until bottom face of post flange just touches board surface.



Using the #2 Phillips screwdriver, rotate the Cam Devices a half turn clockwise until snug.

To disassemble, turn the Cam Devices counter-clockwise and remove panels.

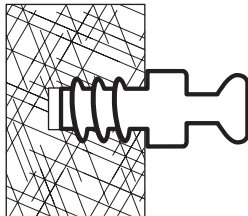


Using the Rafix System:

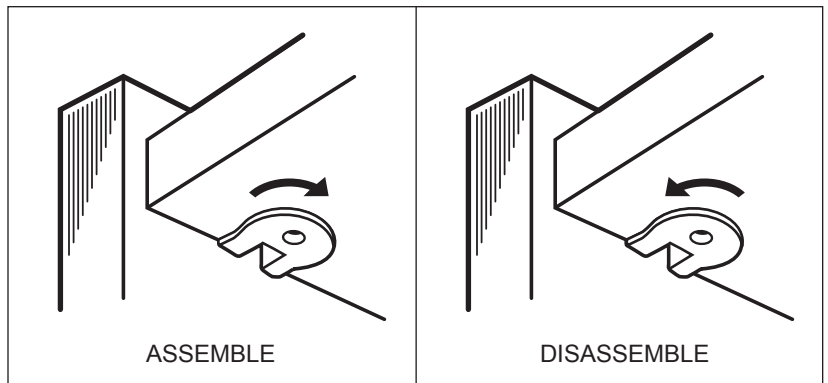
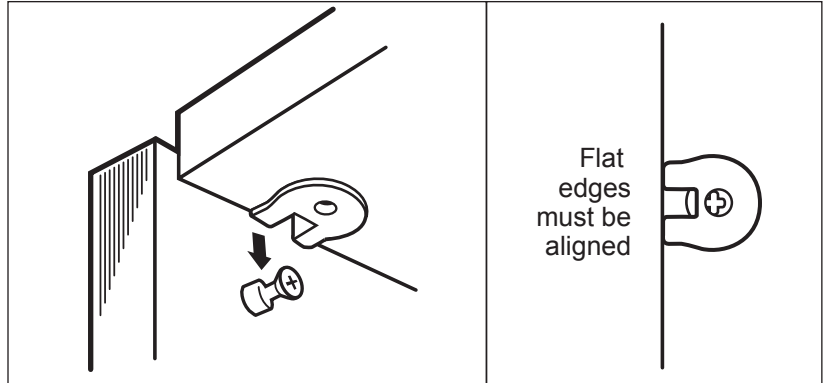
Insert the Rafix Cams into the appropriate holes. The flat edge of the cam should be facing the edge of the panel.

Slide Rafix Cams of the panel to be attached onto the corresponding posts.

When screwing post into hole, **Do Not** over tighten. Screw post down until bottom face of post flange just touches board surface.



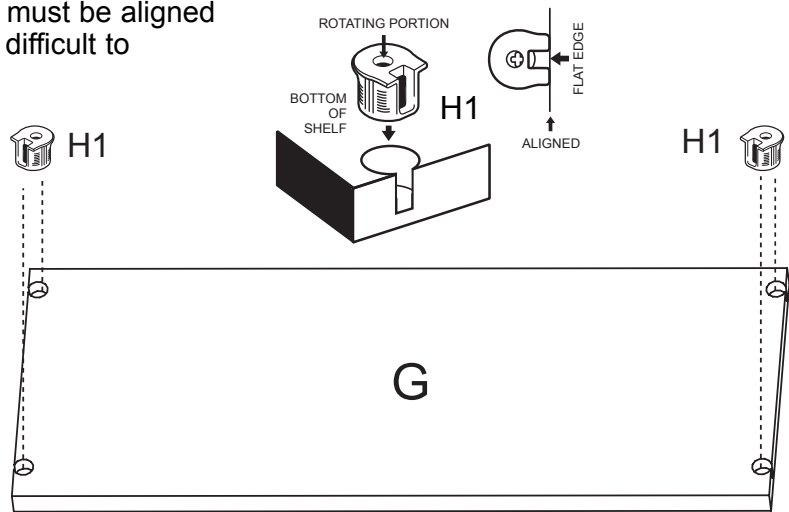
Using a #3 Phillips screwdriver, turn the rotating portion of the Rafix Cam a 1/2 turn clockwise to secure. **IMPORTANT!** Do not exceed 1/2 turn when tightening cams. Turn 1/2 turn counterclockwise to disassemble and remove panel.



#1

Insert four Rafix Cams (H1) into each Adjustable Shelf (G) with the flat edge facing out and tap until fully seated in place as shown.

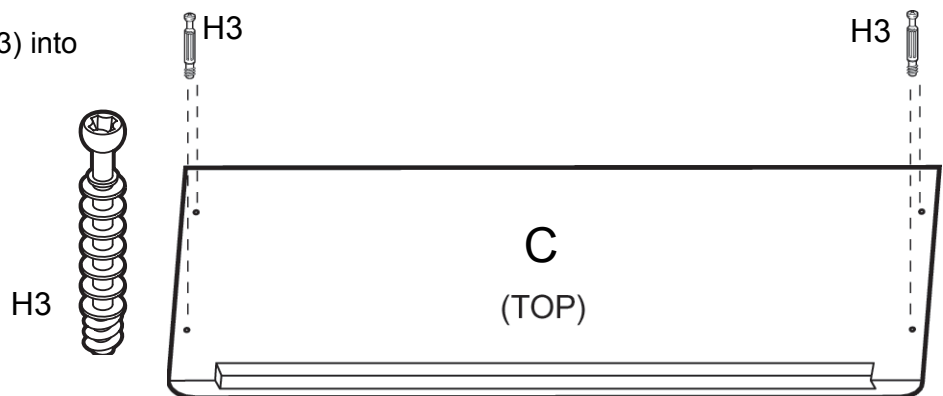
NOTE: The edge of the Rafix Cams must be aligned with the shelf edge. Rafix Cams are difficult to reposition if installed incorrectly.

**#2**

Insert four Minifix Cams (H2) into each Fixed Shelf (I) with the arrows facing out as shown.

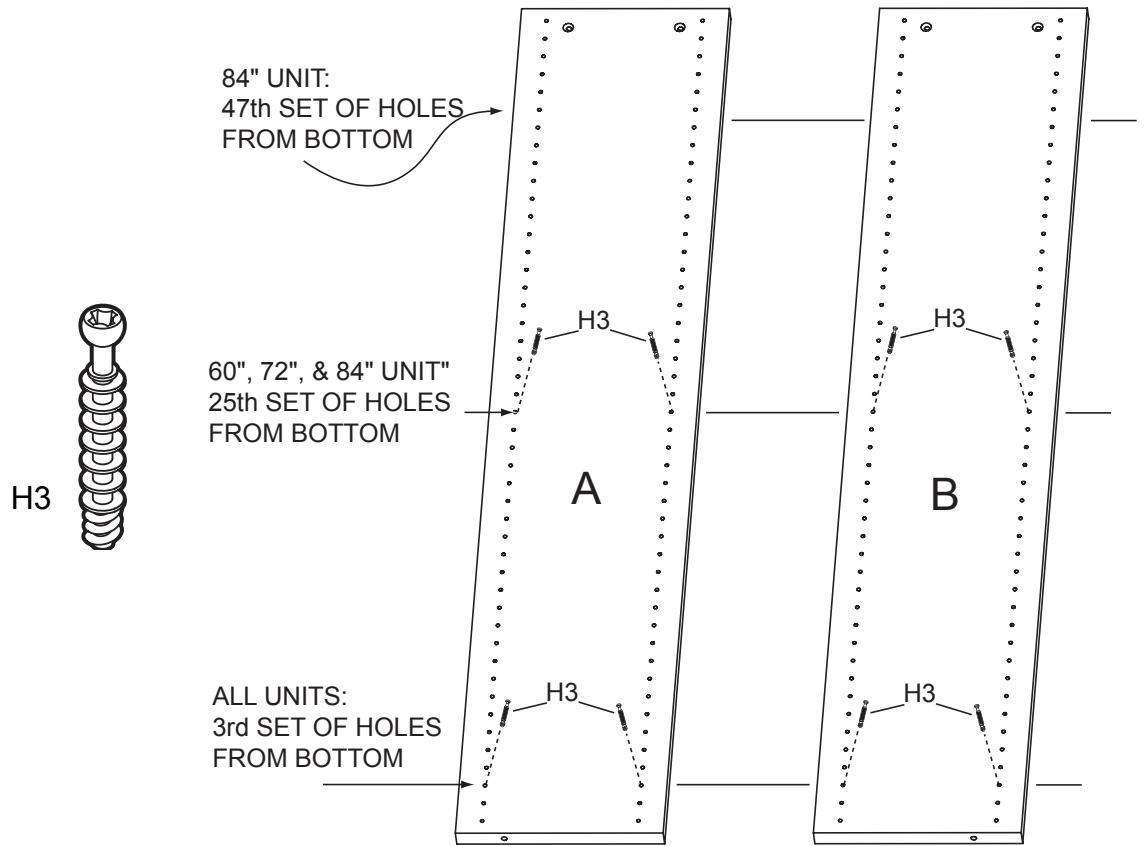
**#3**

Screw four Minifix Bolts (H3) into the Top Panel (C).



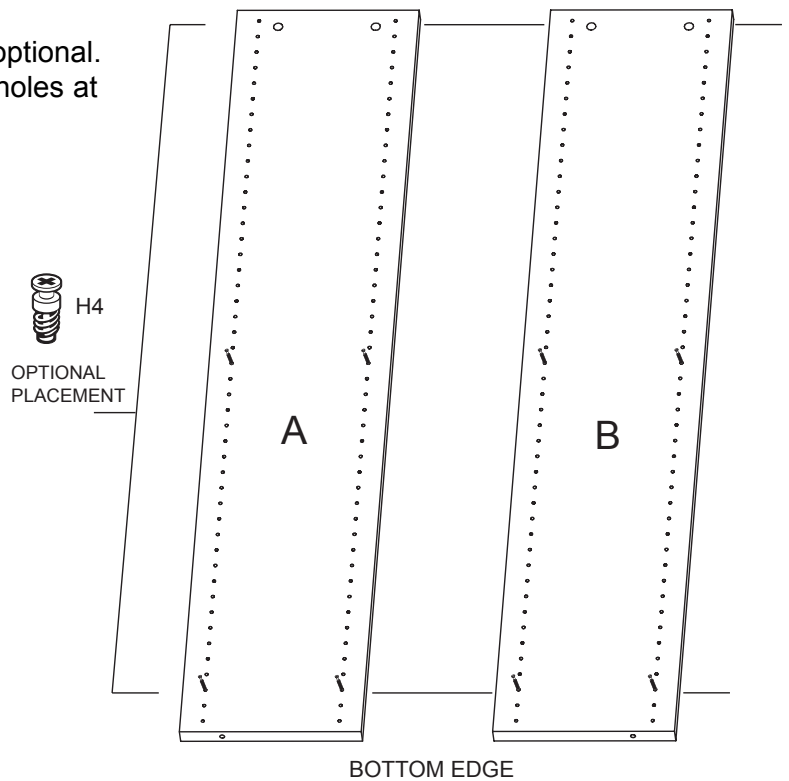
#4

Place the sides (A & B) on a clean, carpeted surface as shown. Install Minifix Bolts (H3) for placement of the Fixed Shelves in the pre-drilled holes as indicated.



#5

Placement of the Adjustable Shelves is optional. Install Rafix Bolts (H4) in the pre-drilled holes at the preferred heights.

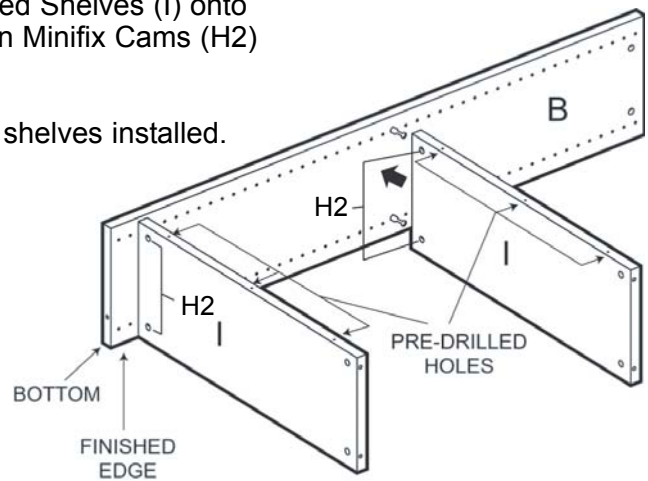


#6

Place Right Side (B) as shown. Position Fixed Shelves (I) onto the corresponding Minifix Bolts (H3) and turn Minifix Cams (H2) clockwise until tight.

If you have an 84" unit, there will be 3 fixed shelves installed.

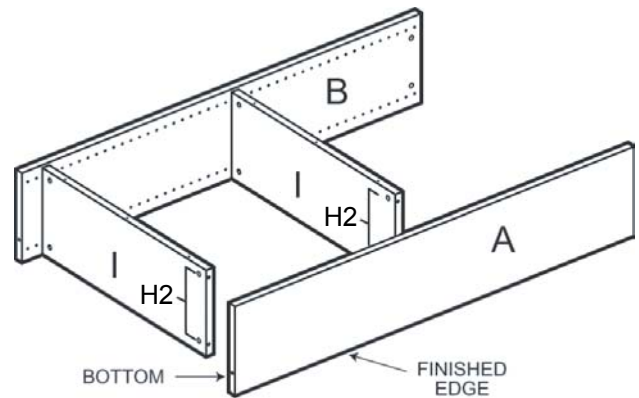
NOTE: The pre-drilled holes of the Fixed Shelves (I) should be facing up as shown.



#7

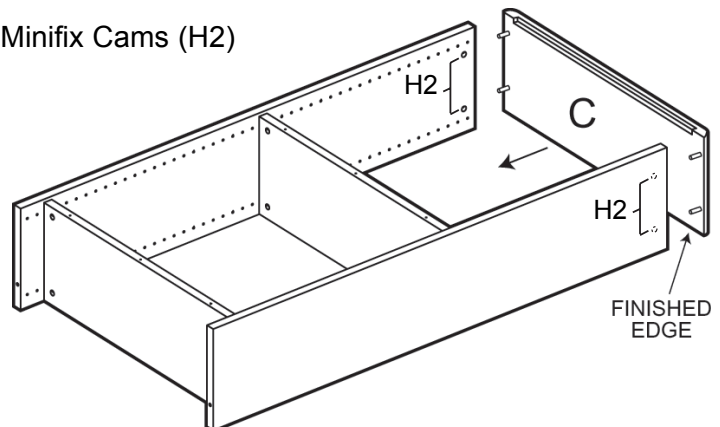
Position the Left Side (A) onto the partially assembled unit insuring that all Minifix Bolts (H3) are inserted into the corresponding Minifix Cams (H2) as shown.

Rotate Minifix Cams (H2) clockwise to tighten.



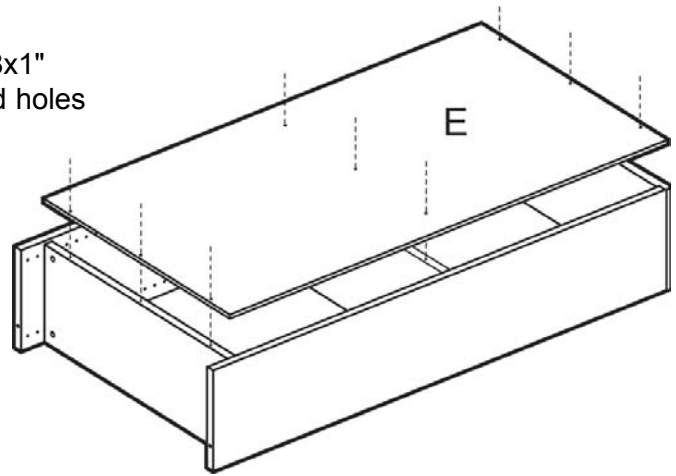
#8

Attach Top Panel (C) as shown. Rotate Minifix Cams (H2) clockwise to tighten.



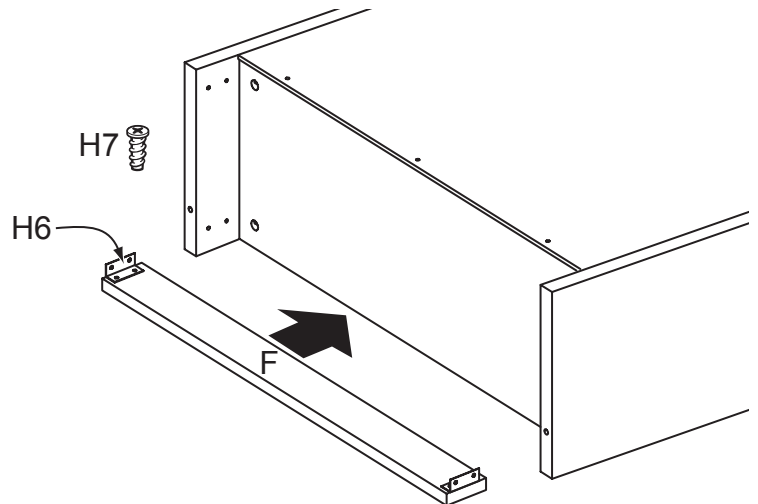
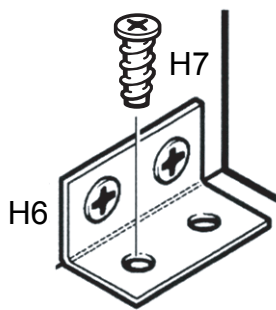
#9

Secure the Back (E) to the unit with three #8x1" Panhead Screws (H5) through the pre-drilled holes into each Fixed Shelf and Top, then tighten.

**#10**

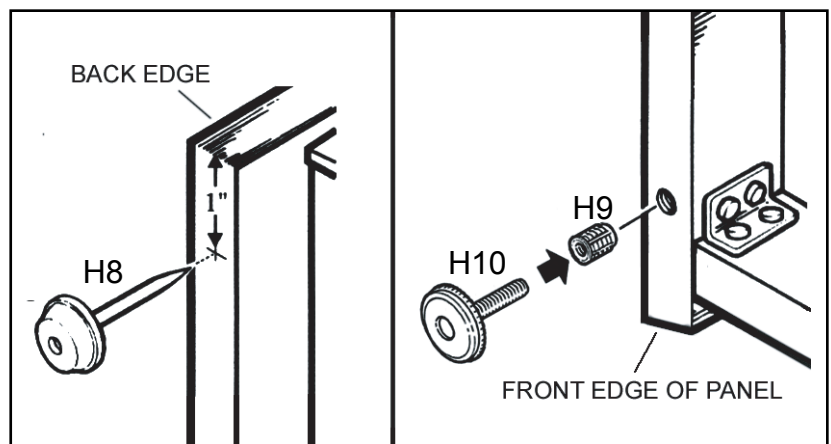
Align the Toeboard (F) between the Sides (A & B) and secure in place with two Angle Brackets (H6) and the Varianta Screws (H7) as shown.

NOTE: Tighten all the Varianta Screws at this time.

**#11**

If you have purchased a 60", 72", or 84" unit, tap two Tack Glides (H8) into the bottoms of the Sides spaced as shown.

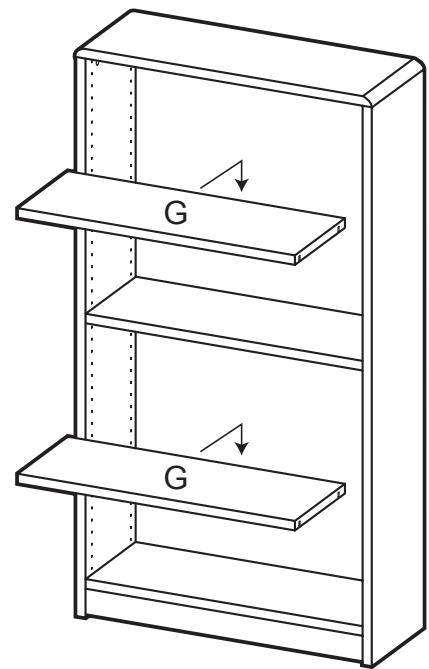
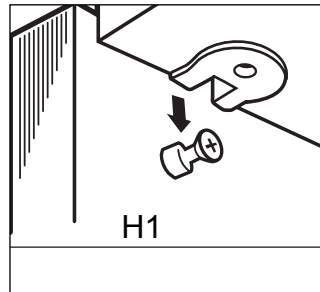
Using a plastic mallet, tap Leveler Inserts (H9) until flush with the surface in the bottom edges of the Left Side (A) and Right Side (B) as shown. Screw the Levelers (H10) into the Leveler Inserts (H9). Adjust the Levelers after assembly is complete and the unit is in place.



#12

Position the remaining Adjustable Shelves (G) onto the corresponding Rafx Bolts (H1) as shown.

Turn the rotating portions of the Rafx Cams (H1) $\frac{1}{4}$ -turn clockwise to secure the Adjustable Shelves (G) in place.



After leveler adjustment, your Bookcase is fully assembled and ready for use.