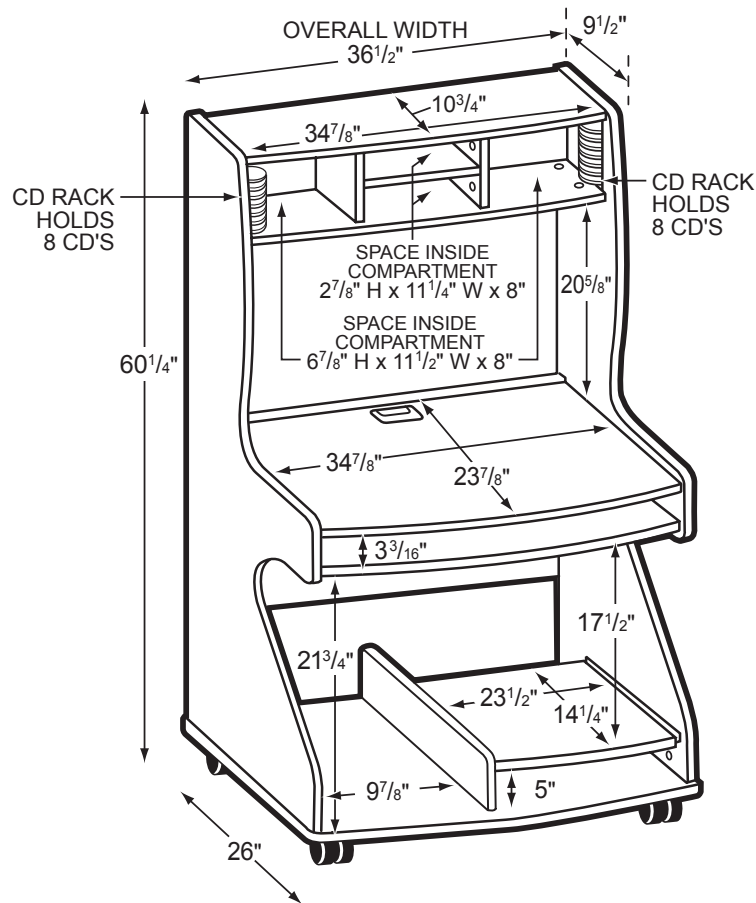


TCW

Tower Computer Workstation



Product Specs

- 3/4" thermal fused laminate
- Cam and post construction
- Matched edge banding
- Overhead storage area
- Two 8 CD storage racks
- Keyboard shelf on 2/3 extension steel slide
- Pull out printer shelf on 2/3 extension steel slide
- Tower storage area
- 2" plate casters (2 locking)

1107