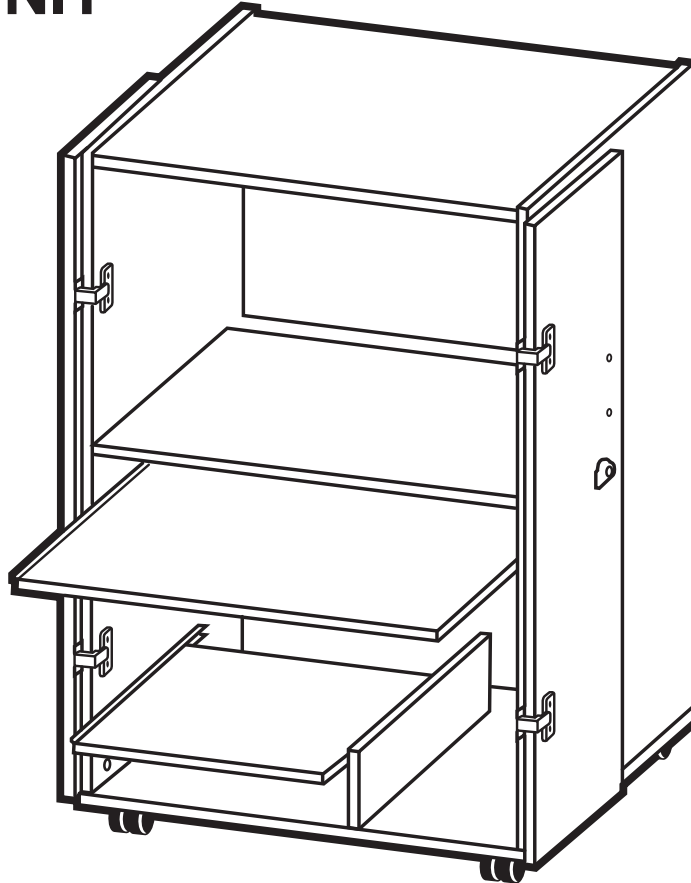




TSU

TOWER SECURITY UNIT



IMPORTANT!

Assembly may require the assistance of another person.

Before you begin assembly:

READ THE DIRECTIONS all the way through one time. This will speed up the process and help you understand the sequence of steps.

COUNT THE PARTS AND HARDWARE before assembly. This ensures you have received all necessary parts before you begin.

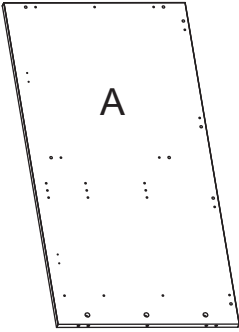
TOOLS: You may need a Phillips head screwdriver, a medium slotted screwdriver or a plastic mallet. To protect your new furniture from damage during assembly, it is recommended to work on a carpeted surface.

In the event any parts are missing from this package, send your name, address, telephone number, and a description of the missing part(s) to: PARTS, Box 1420, Missoula, MT 59806 or call: 1-800-769-5693 or FAX 1-800-445-5281.

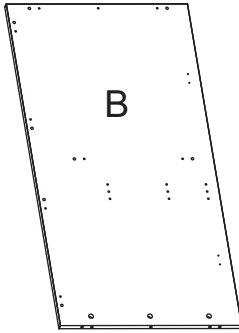
CAUTION: On assemblies requiring glue, make sure the unit is assembled correctly before gluing. Once this unit is assembled with glue, the manufacturer will not be responsible for damaged parts. Keep a damp cloth or sponge handy to wipe off excess glue.

To care for this furniture, simply wipe with a cloth dampened with glass cleaner containing ammonia-D.

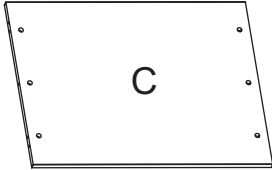
PARTS DIAGRAM



Left Side	06005641	1 ea.
-----------	----------	-------



Right Side	06005641	1 ea.
------------	----------	-------



Top	06005601	1 ea.
-----	----------	-------



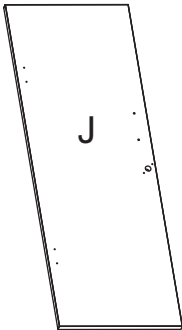
Back	06005657	2 ea.
------	----------	-------



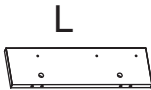
Bottom	06005611	1 ea.
--------	----------	-------



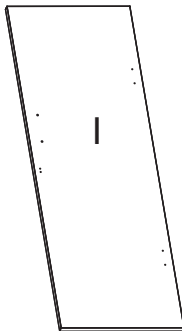
Monitor Shelf	06005631	1 ea.
---------------	----------	-------



Right Door	06005673	1 ea.
------------	----------	-------



Divider	06005644	1 ea.
---------	----------	-------



Left Door	06005673	1 ea.
-----------	----------	-------



Keyboard Shelf	06005628	1 ea.
----------------	----------	-------



Printer Shelf	06005629	1 ea.
---------------	----------	-------

HARDWARE



H1	Minifix Cam	909810	26 ea.
----	-------------	--------	--------



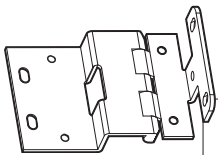
H2	Wood Dowel	195000	22 ea.
----	------------	--------	--------



H3	Minifix Bolt	909834	26 ea.
----	--------------	--------	--------



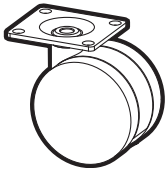
H5	#6 x 5/8" Panhead Screw	901216	8 ea.
----	----------------------------	--------	-------



H6	Hinge	H0590	4 ea.
----	-------	-------	-------



H7	Varianta Screw	988060	12 ea.
----	----------------	--------	--------



H10	Swivel Casters	402640	4 ea.
-----	----------------	--------	-------



H11	#14 x 3/4" Panhead Screw	901241	16 ea.
-----	-----------------------------	--------	--------



H13	Door Pull	400870	2 ea.
-----	-----------	--------	-------



H14	1" Panhead Screw	920200	4 ea.
-----	---------------------	--------	-------



H17	#8 x 5/8" Flathead Screw	H2040	36 ea.
-----	-----------------------------	-------	--------



S2



S1

Slide Channel	490260	2 pr.
---------------	--------	-------



S4



S3

Shelf Slide	490260	2 pr.
-------------	--------	-------

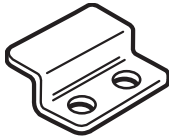
LOCKSET 250-HP



H5	#6 x 5/8" Panhead Screw	901216	2 ea.
----	----------------------------	--------	-------



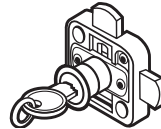
H8	Catch Plate	452340	1 ea.
----	-------------	--------	-------



H12	Stop Plate	452330	1 ea.
-----	------------	--------	-------



H9	#8 x 5/8" Panhead Screw	988056	4 ea.
----	----------------------------	--------	-------

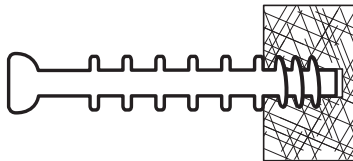


H15	Lock & Key Set	452310	1 ea.
		452320	1 ea.
		452350	1 ea.

Using the Minifix System:

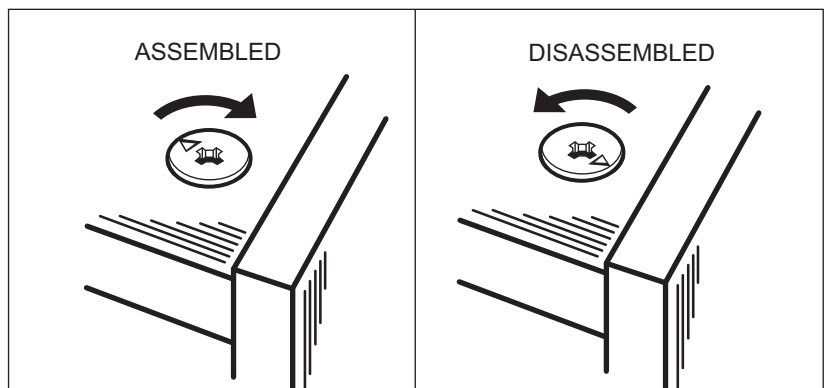
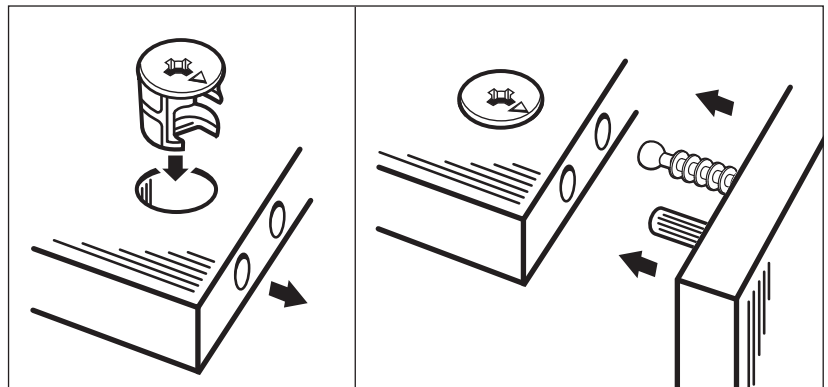
Insert the Minifix Cams into the appropriate holes with the arrow facing outwards as shown.

When screwing post into hole, **Do Not** over tighten. Screw post down until bottom face of post flange just touches board surface.



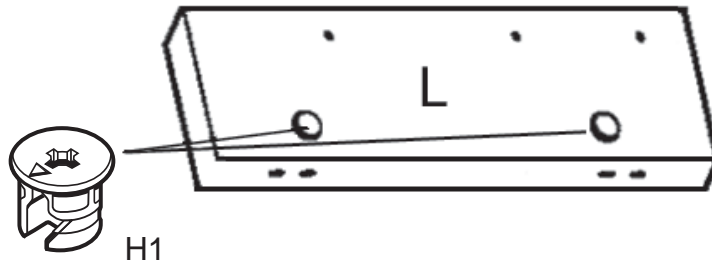
Using the #2 Phillips screwdriver, rotate the Cam Devices a half turn clockwise until snug.

To disassemble, turn the Cam Devices counter-clockwise and remove panels.



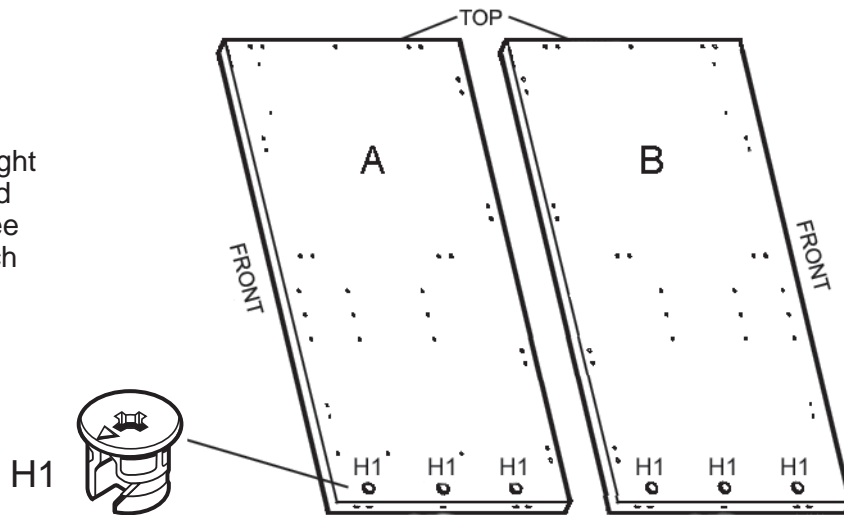
#1

Place the Divider (L) on a clean, carpeted surface with the pre-drilled holes facing up. Insert two Minifix Cams (H1) into the Divider with the arrows of the cams facing out.



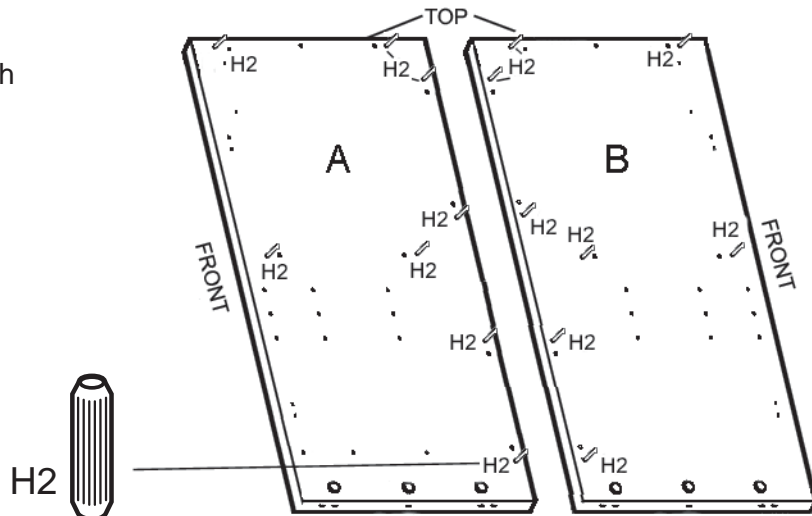
#2

Place Left Side (A) and Right Side (B) with the pre-drilled holes facing up. Insert three Minifix Cams (H1) into each side with the arrows of the cams facing out.



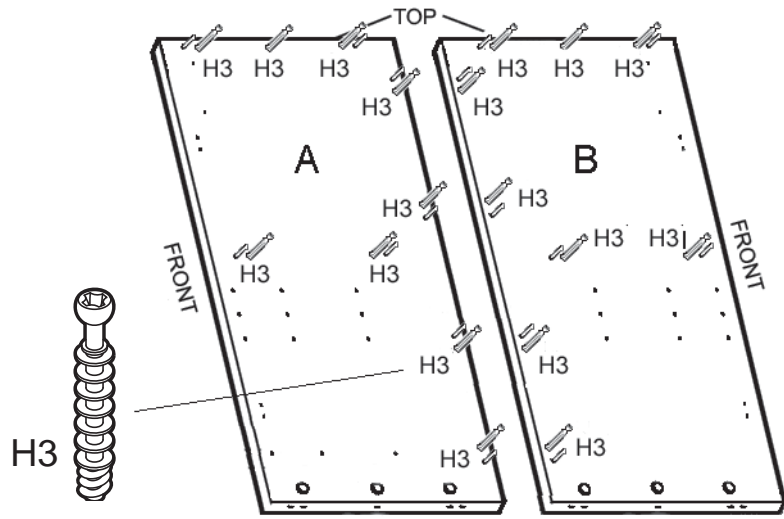
#3

Insert eight Dowels (H2) into each Side (A & B) where indicated.



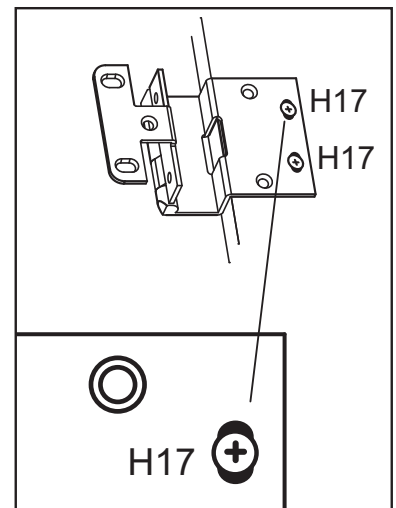
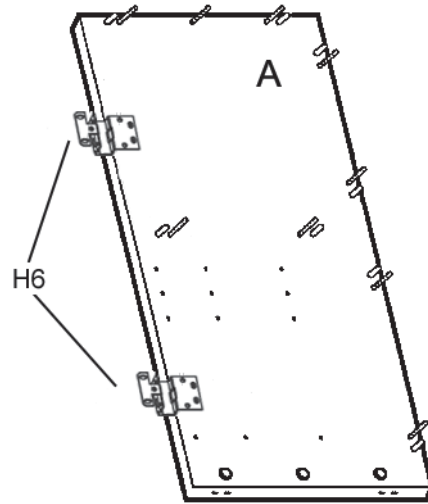
#4

Screw nine Minifix Bolts (H3) into each Side (A & B) where indicated.



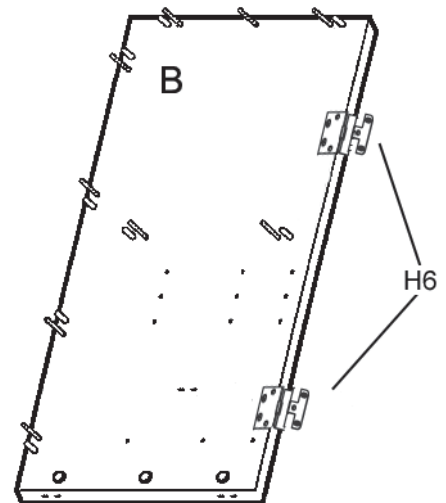
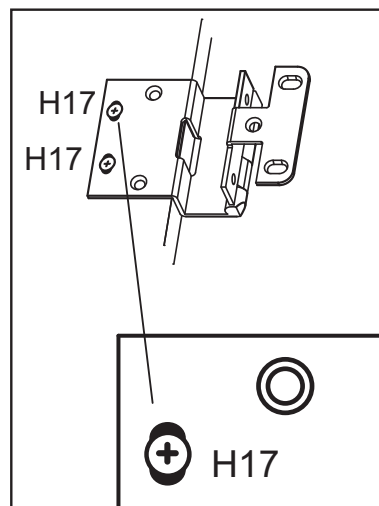
#5

With a screwdriver, attach the Hinges (H6) to the Left Side (A) using the #8 x 5/8" Flathead Screws (H17) in the pre-drilled holes. The screws must be centered in the slots of the Hinges as shown.



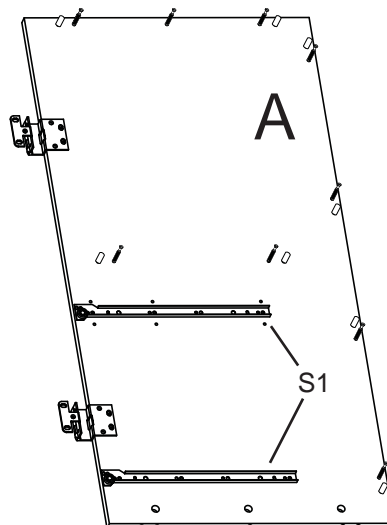
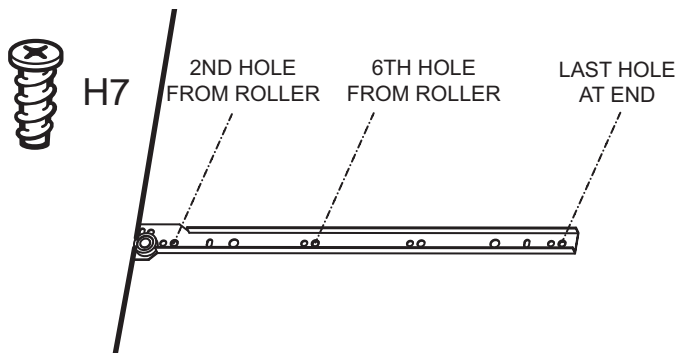
#6

With a screwdriver, attach the Hinges (H6) to the Right Side (B) using the #8 x 5/8" Flathead Screws (H17) in the pre-drilled holes. The screws must be centered in the slots of the Hinges as shown.



#7

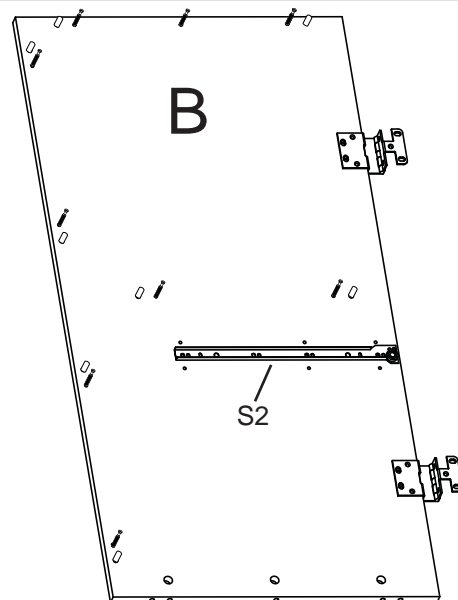
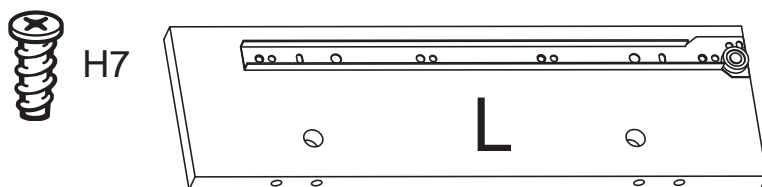
Attach the two left Slide Channels (S1) to the Left Side (A) using six Varianta Screws (H7) into the pre-drilled holes where indicated.



#8

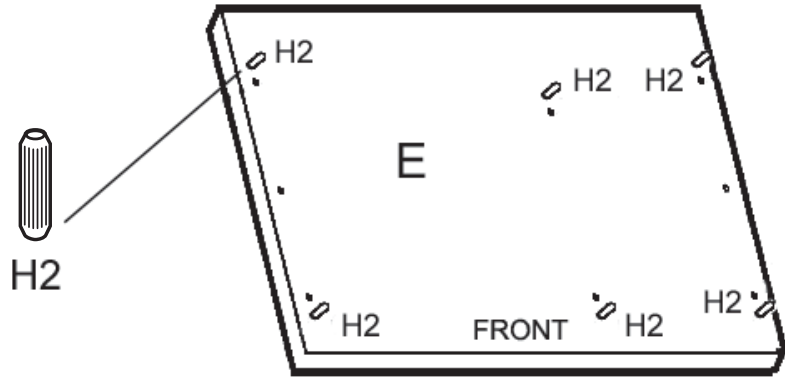
Attach one right Slide Channel (S2) to the Right Side (B) using three Varianta Screws (H7) into the pre-drilled holes as indicated in Step #8.

Attach the other right Slide Channel to the Divider (L) using three Varianta Screws.



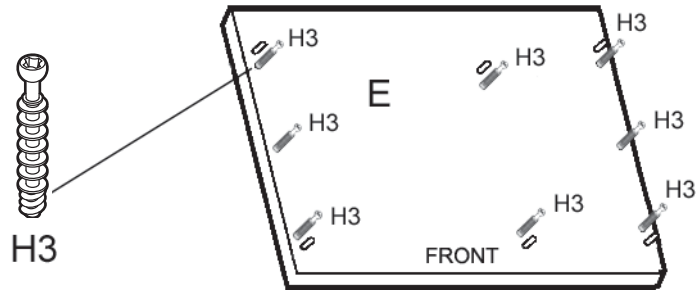
#9

Insert six Dowels (H2) into the Bottom (E) where indicated.



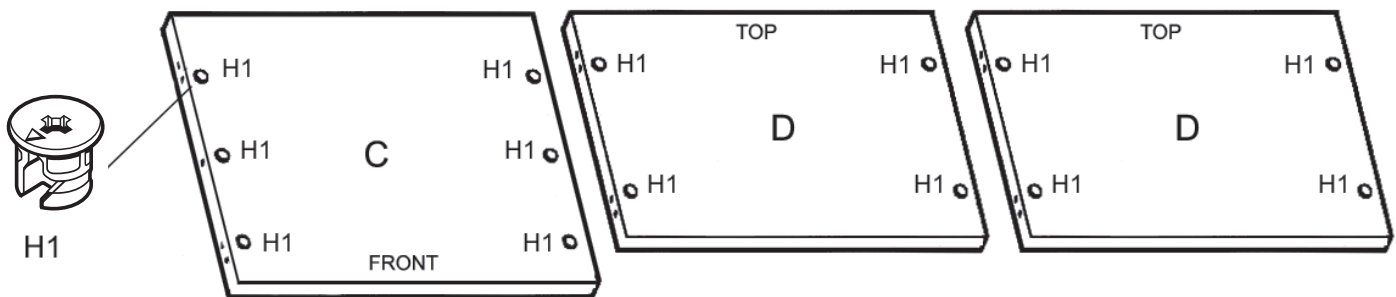
#10

Screw eight Minifix Bolts (H3) into the Bottom (E) where indicated.



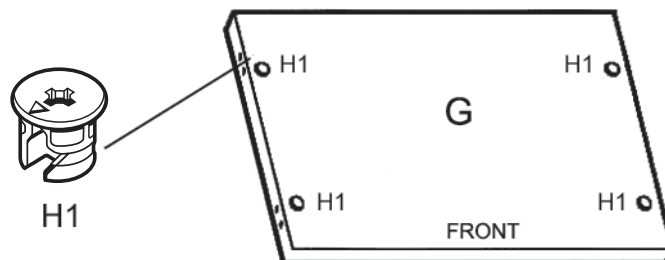
#11

Insert six Minifix Cams (H1) into Top (C), four cams into both Backs (D), where indicated with the arrows of the cams facing out.



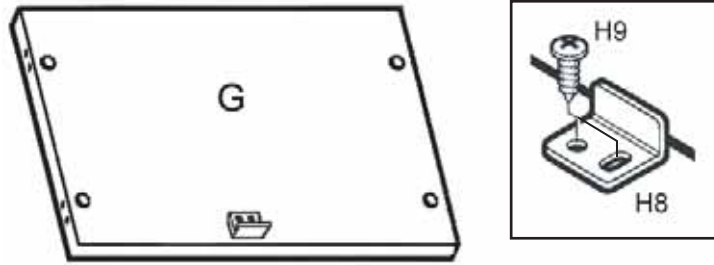
#12

Insert four Minifix Cams (H1) into the Monitor Shelf (G) with the arrows of the cams facing out.



#13

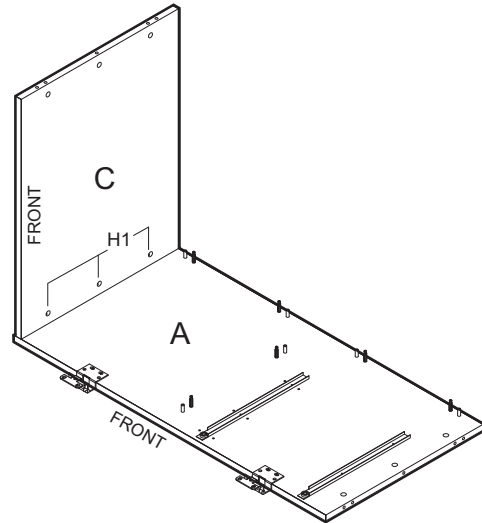
Attach a Catch Plate (H8) to the Monitor Shelf (G) as shown using two #8x5/8" Panhead Screws (H9).



#14

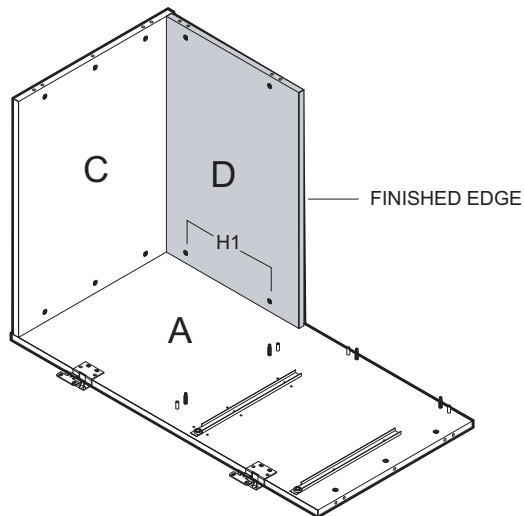
With the aid of an assistant, position the cams of the Top (C) onto the bolts and dowels of the Left Side (A) as shown. Turn the arrows of the cams (H1) clockwise to secure.

Be sure the front edges are aligned.



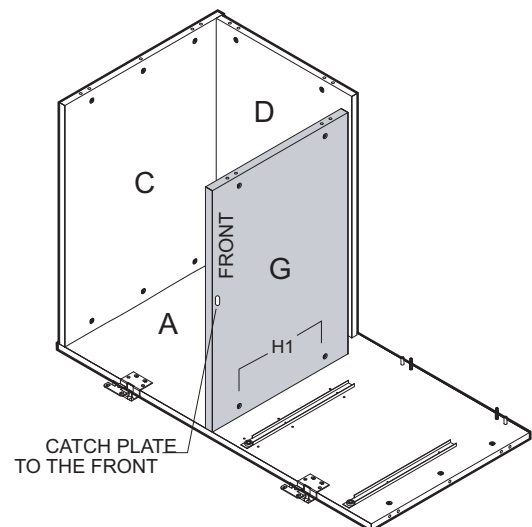
#15

Position one of the Backs (D) onto the Left Side (A) and turn the arrows of the cams (H1) clockwise to secure.



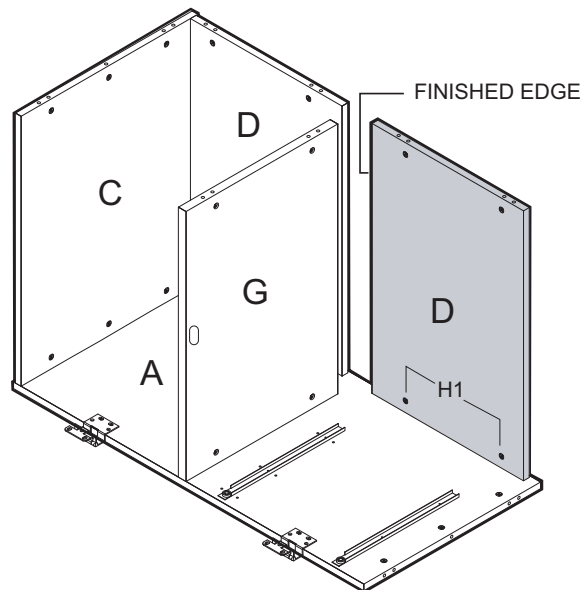
#16

Position the Monitor Shelf (G) onto the Left Side (A). Be sure the Front edges are aligned. Turn the arrows of the cams (H1) clockwise to secure.



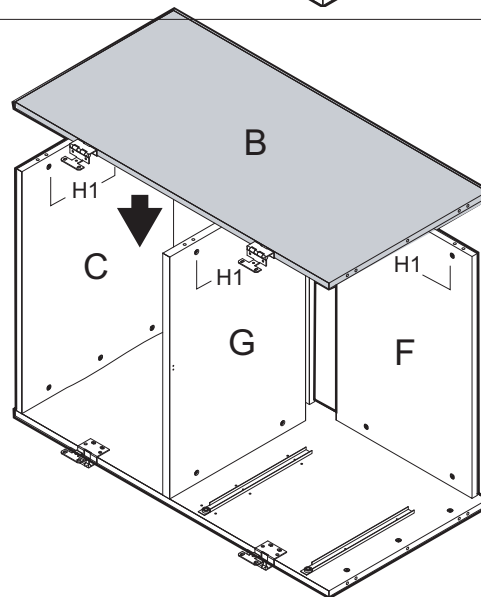
#17

Position the other Back (D) onto the Left Side (A) with the finished edge facing up, and turn arrows of the cams (H1) clockwise to secure.



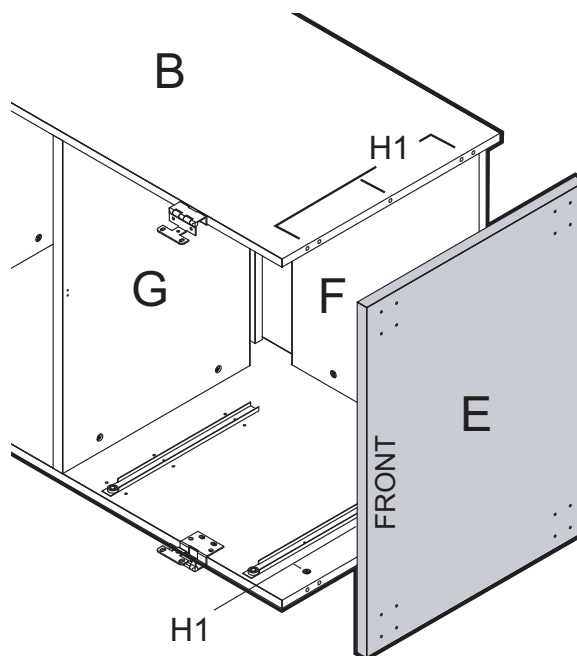
#18

With the help of an assistant, position the bolts and dowels of Right Side (B) into the cams of the Top (C), Both Backs (D), Monitor Shelf (G) as shown. Turn the arrows of the cams (H1) clockwise to secure.



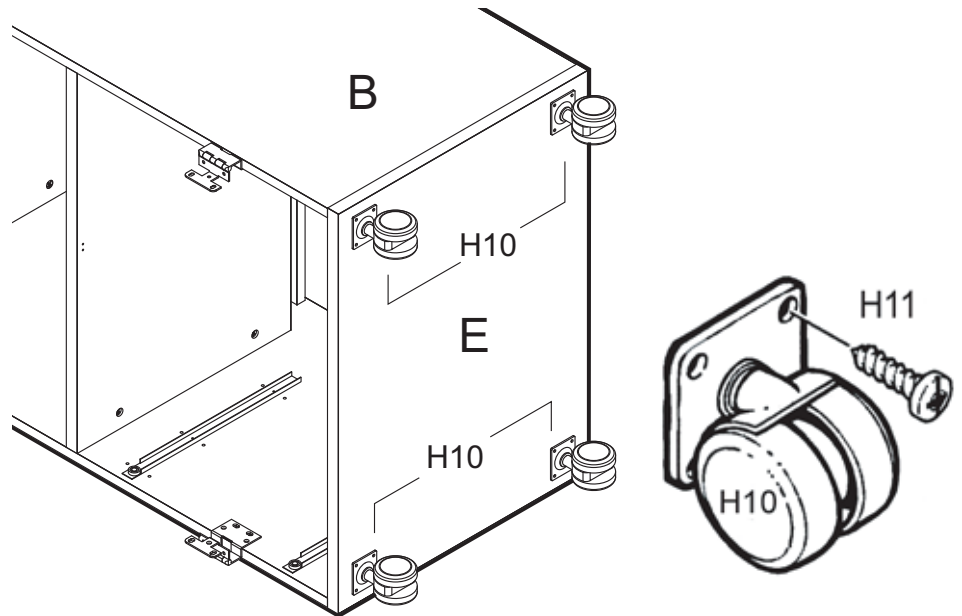
#19

Position the bolts and dowels of the Bottom (E) into the cams of the Left Side (A) and Right Side (B) as shown. Turn the arrows of the cams (H1) clockwise to secure.



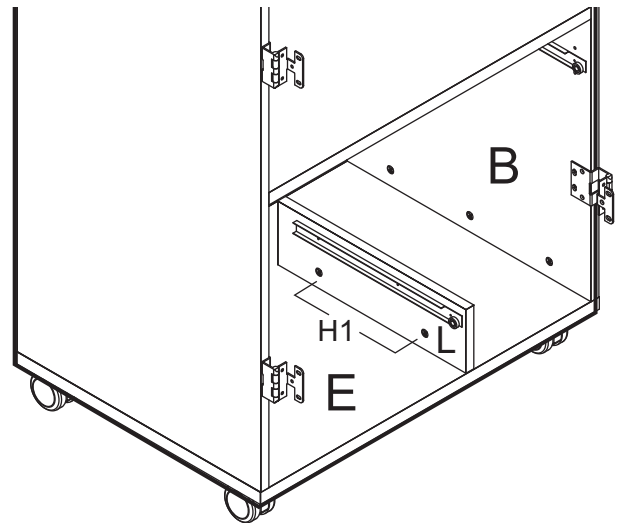
#20

Attach four Plate Casters (H10) to the Bottom (E) using the #14x3/4" Panhead Screws (H11) in the pre-drilled holes as shown.



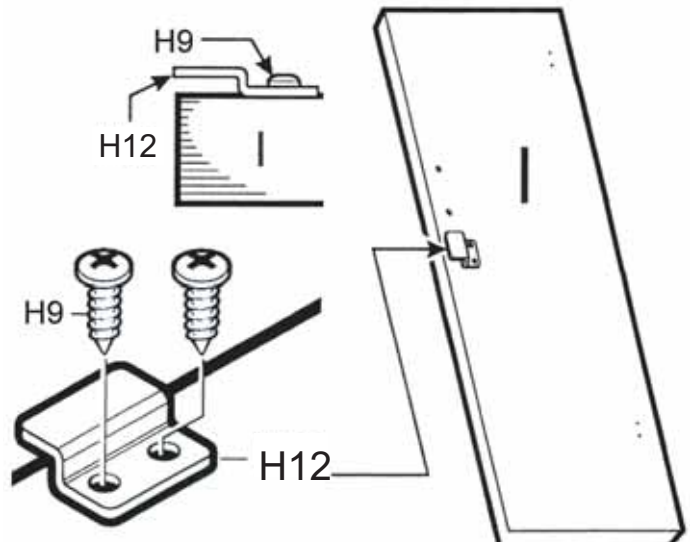
#21

With the assistance of another person, turn the unit upright. Position the Divider (L) onto the bolts and dowels of the Bottom (E) as shown. Turn the arrows of the cams (H1) clockwise to secure.



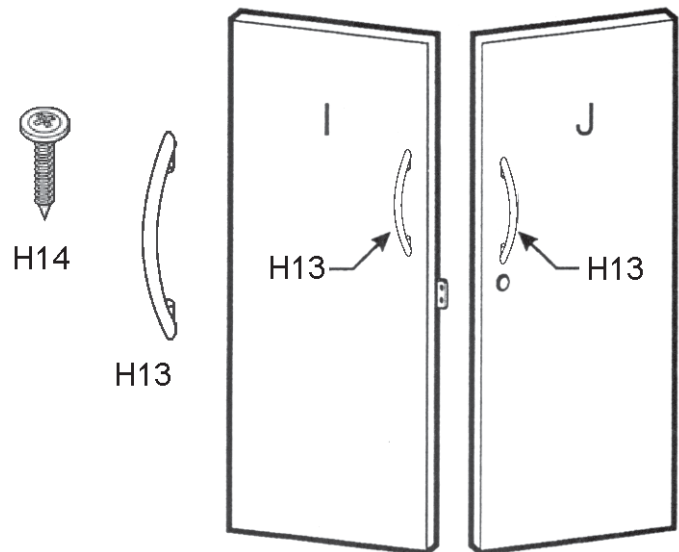
#22

Attach a Stop Plate (H12) to the Left Door (I) using #8x5/8" Panhead Screws (H9) as shown.



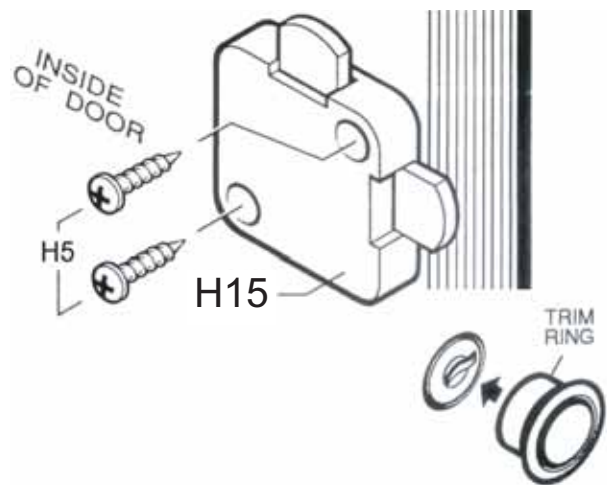
#23

Attach a Door Pull (H13) to the Left Door (I) and Right Door (J) using the 1" Machine Screws (H14).



#24

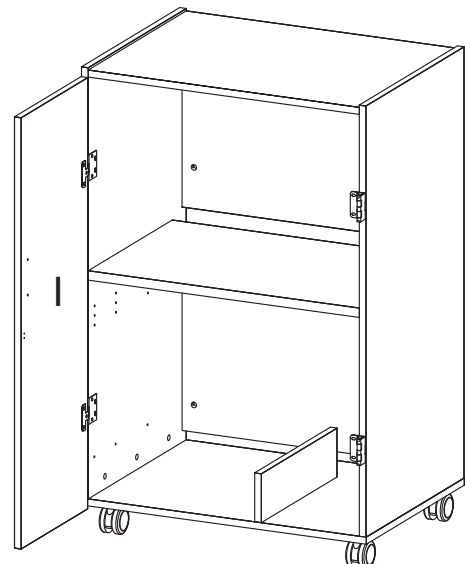
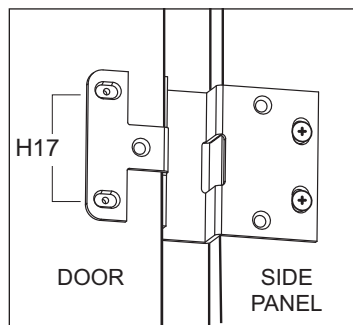
Position the Lock (H15) onto the inner side of the Right Door (J) oriented as shown. Secure the Lock in place using two #6x5/8" Panhead Screws (H5) into the pre-drilled holes of the Right Door. Press the trim ring of the lock over the keyhole portion of the lock on the opposite side of the Right Door as shown.



HINGE ASSEMBLY

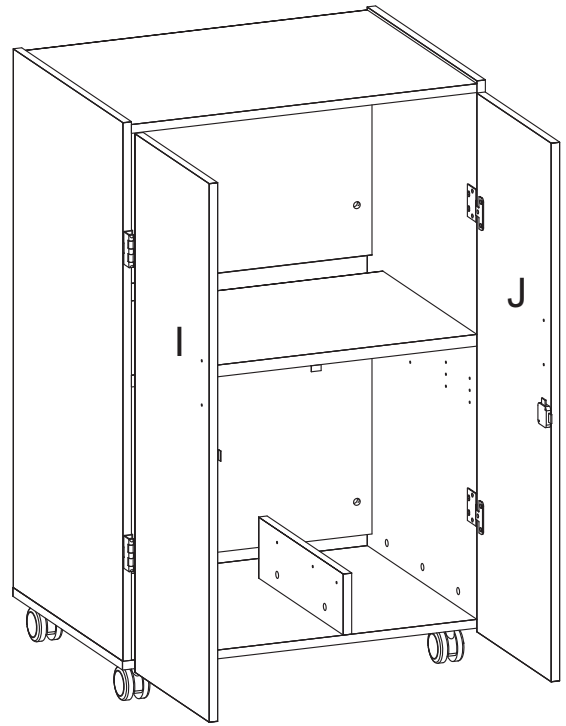
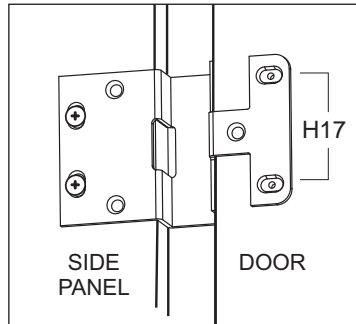
#24

Attach the Left Door (I) using four #8 x 5/8" Flathead Screws (H17) in the pre-drilled holes as shown.



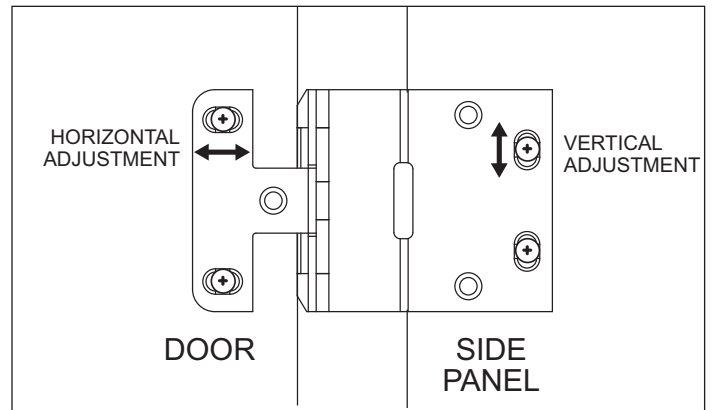
#26

Attach the Right Door (J) using four #8 x 5/8" Flathead Screws (H17) in the pre-drilled holes as shown.



#27

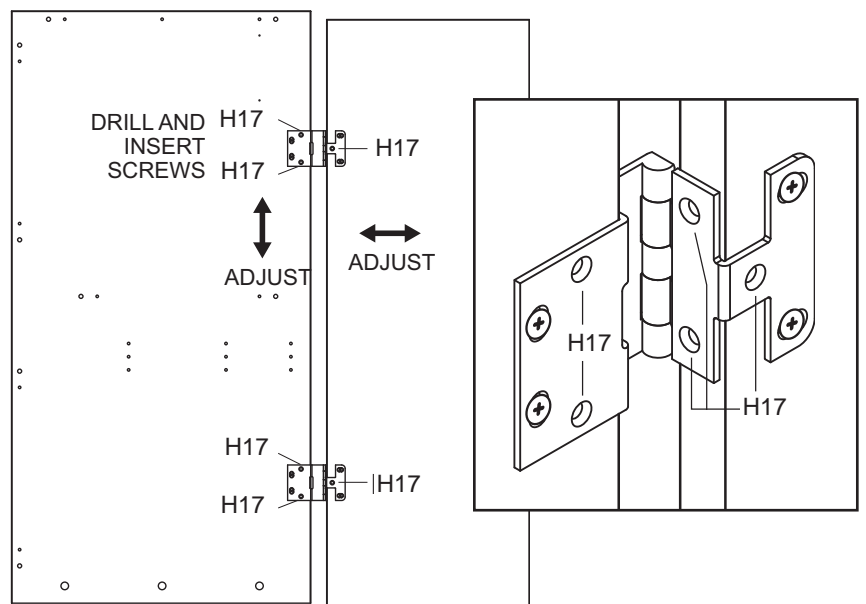
To make adjustments, loosen screws just enough to move horizontally or vertically. Tighten screws when adjustment is appropriate.



#28

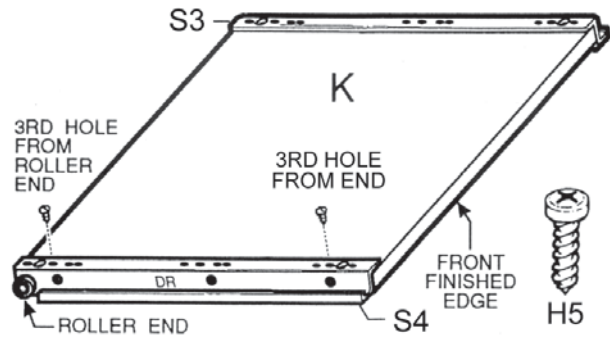
Using a 1/8" diameter Drill Bit, pre-drill a 3/8" deep pilot hole and add remaining screws (H17). There are two places per hinge to add screws to the side panels and three places per hinge to add screws to the doors.

Make adjustments to lock.



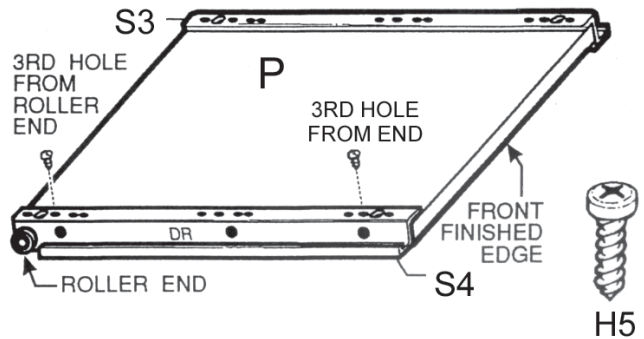
#29

Place the Keyboard Shelf (K) with pre-drilled holes facing up as shown. Attach left and right Shelf Slides (S3 & S4) using the #6 x 5/8" Panhead Screws (H5) as shown.



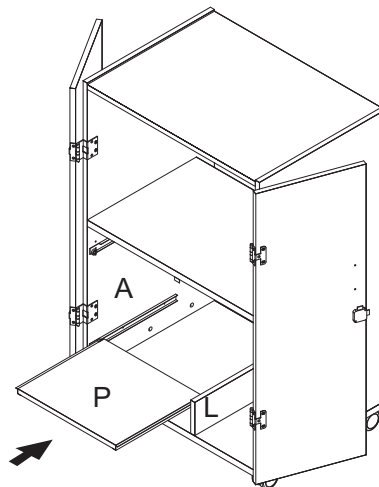
#30

Place the Printer Shelf (P) with pre-drilled holes facing up as shown. Attach left and right Shelf Slides (S3 & S4) using the #6 x 5/8" Panhead Screws (H5) as shown.



#31

Slide the Printer Shelf (P) onto the slide Channels of the Left Side (A) and Divider (L) as shown.



#32

Slide the Keyboard Shelf (K) onto the slide channels of the Left Side (A) and Right Side (B) as shown.

Assembly of the Tower Security Unit is now complete.

