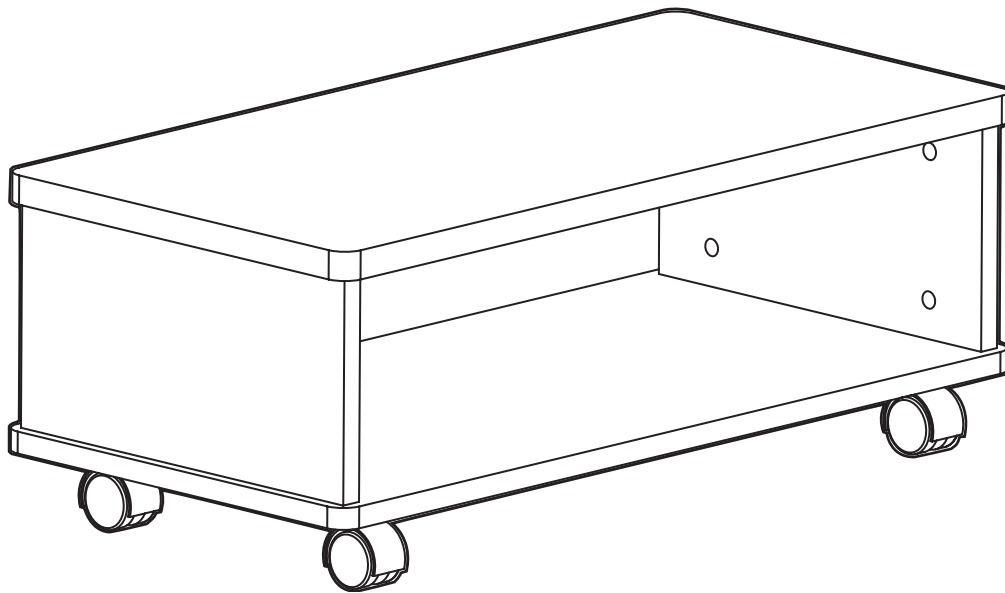




WG32

PRINTER WAGON



IMPORTANT!

Assembly may require the assistance of another person.

Before you begin assembly:

READ THE DIRECTIONS all the way through one time. This will speed up the process and help you understand the sequence of steps.

COUNT THE PARTS AND HARDWARE before assembly. This ensures you have received all necessary parts before you begin.

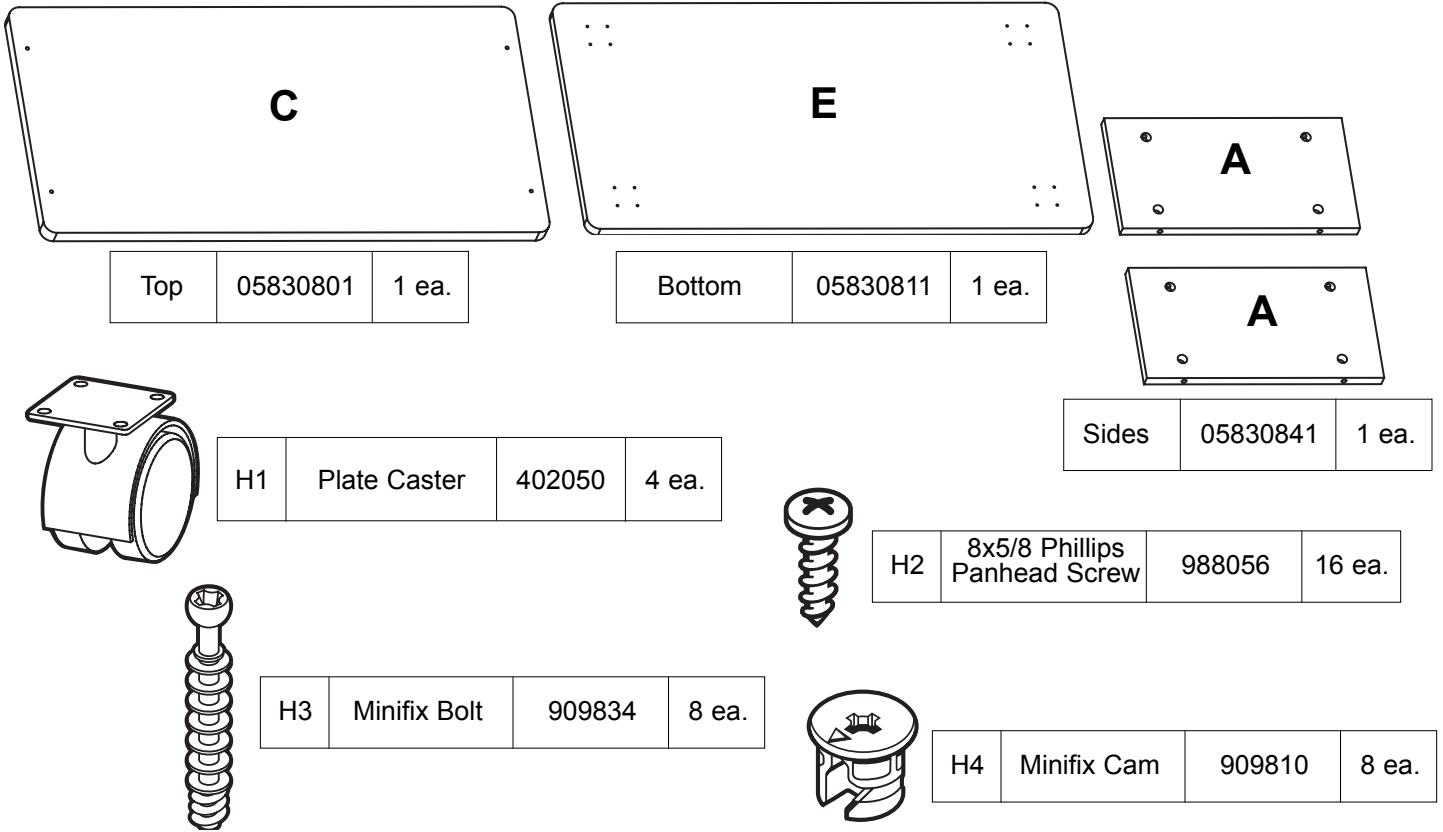
TOOLS: You may need a Phillips head screwdriver, a medium slotted screwdriver or a plastic mallet. To protect your new furniture from damage during assembly, it is recommended to work on a carpeted surface.

In the event any parts are missing from this package, send your name, address, telephone number, and a description of the missing part(s) to: **PARTS, Box 1420, Missoula, MT 59806** or call: **1-800-769-5693** or **FAX 1-800-445-5281**.

CAUTION: On assemblies requiring glue, make sure the unit is assembled correctly before gluing. Once this unit is assembled with glue, the manufacturer will not be responsible for damaged parts. Keep a damp cloth or sponge handy to wipe off excess glue.

To care for this furniture, simply wipe with a cloth dampened with glass cleaner containing ammonia-D.

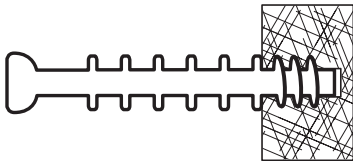
PARTS & HARDWARE DIAGRAM



Using the Minifix System:

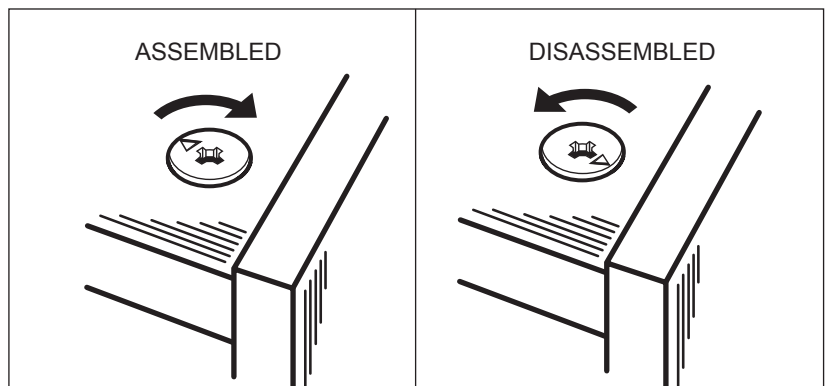
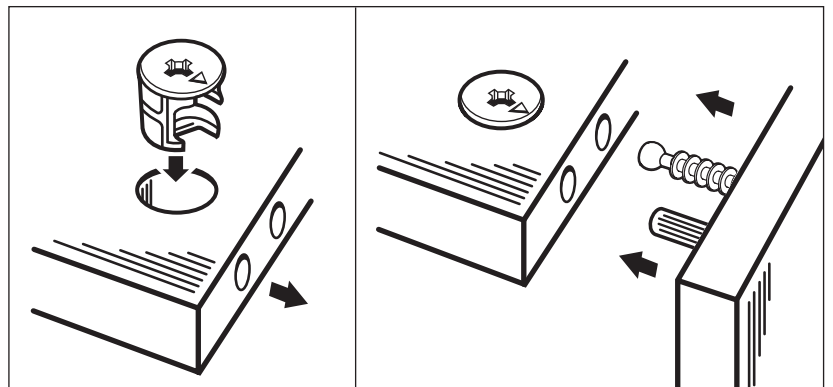
Insert the Minifix Cams into the appropriate holes with the arrow facing outwards as shown.

When screwing post into hole, **Do Not** over tighten. Screw post down until bottom face of post flange just touches board surface.



Using the #2 Phillips screwdriver, rotate the Cam Devices a half turn clockwise until snug.

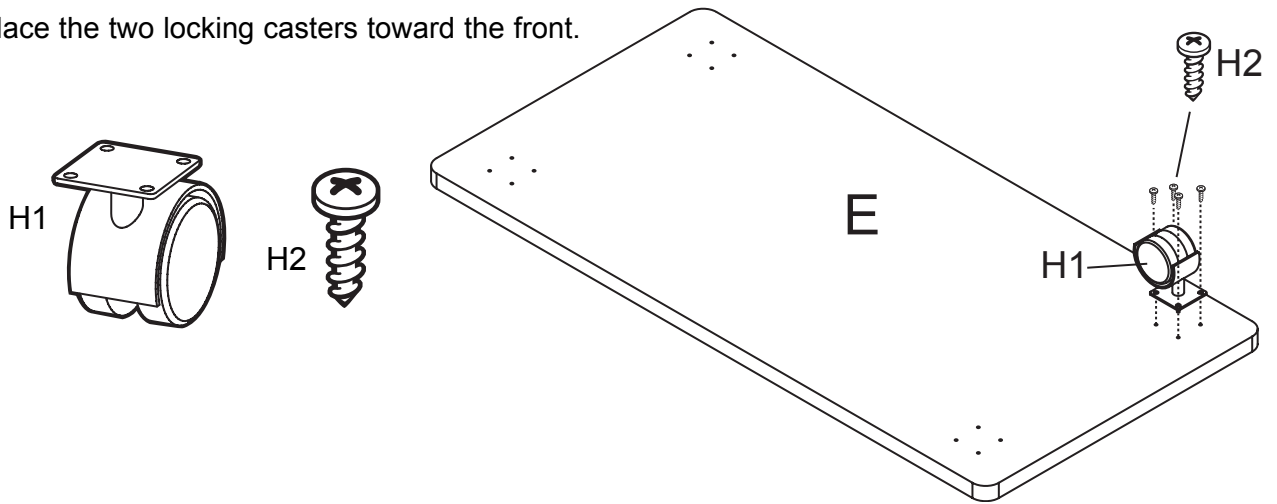
To disassemble, turn the Cam Devices counter-clockwise and remove panels.



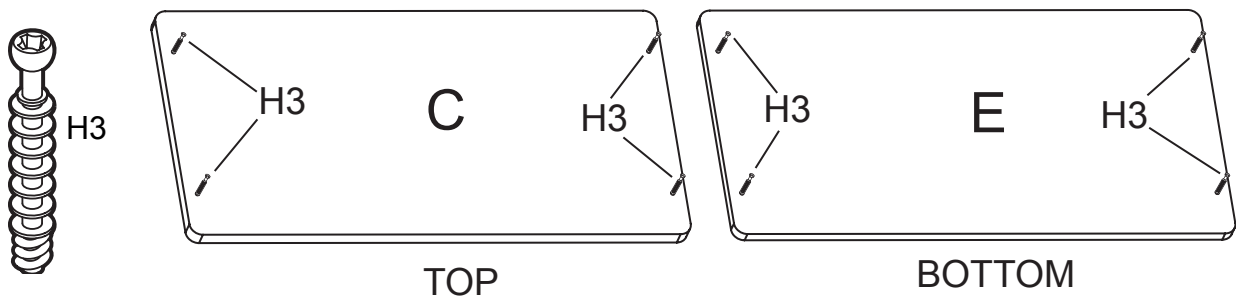
#1

Place the Bottom Panel (E) face down on a clean, carpeted surface with the pre-drilled holes facing up. Install four Plate Casters (H1) at each corner of the Bottom using Panhead Screws (H2) in the pre-drilled holes as shown.

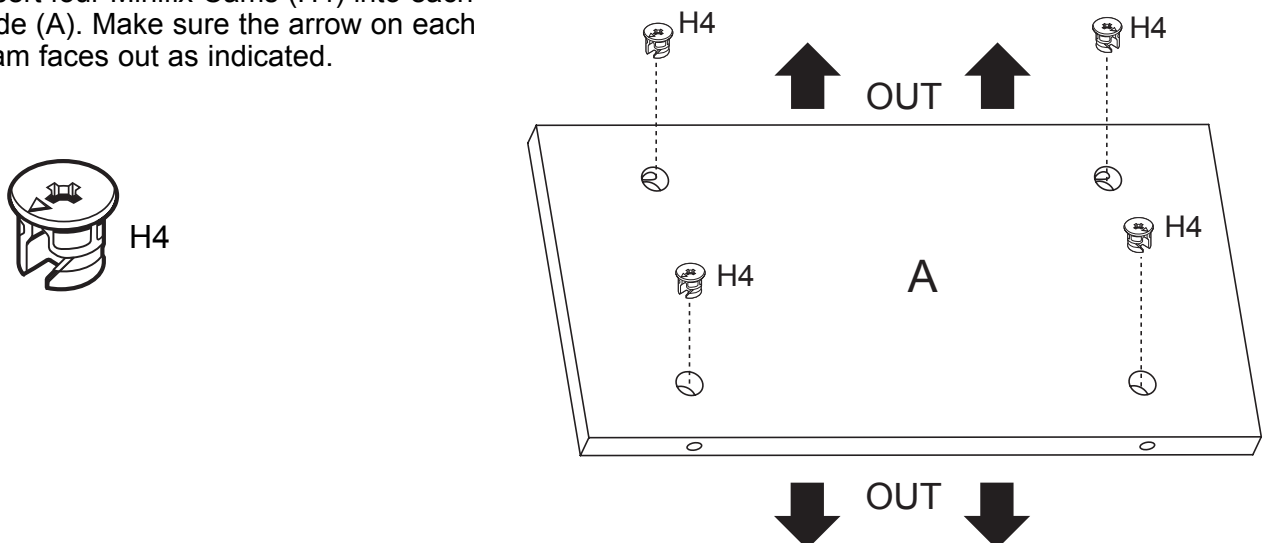
Place the two locking casters toward the front.

**#2**

Turn the Bottom (E) upright. Place the Top (C) face down with the pre-drilled holes facing up. Screw four Minifix Bolts (H3) into the pre-drilled holes on the Bottom and four Minifix Bolts into the pre-drilled holes on the Top.

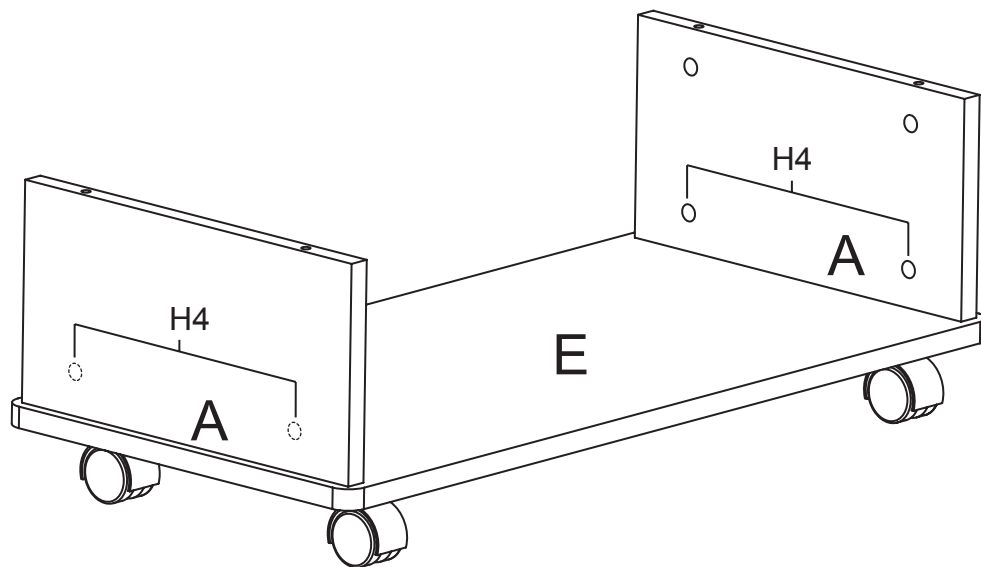
**#3**

Insert four Minifix Cams (H4) into each Side (A). Make sure the arrow on each Cam faces out as indicated.



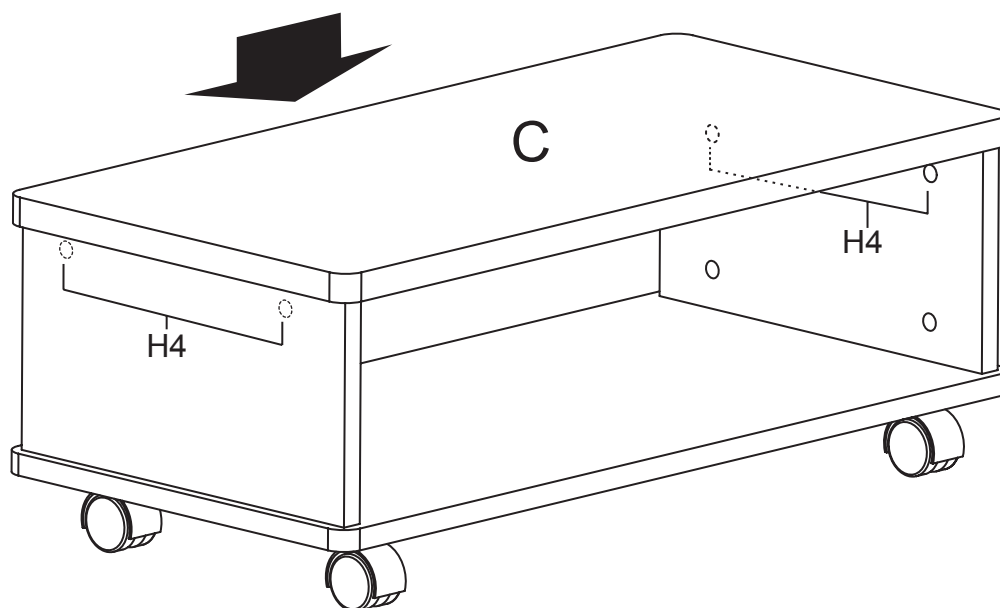
#4

Fit the Sides (A) over the Minifix Bolts (H3) already installed on the Bottom (E). Using a Phillips screwdriver, rotate the Minifix Cams (H4) clockwise to secure in place.



#5

Place the Top (C) onto the sides, seating the Minifix Bolts of the Top into the Cam sockets on the Sides. Using a Phillips screwdriver, rotate the Cams clockwise to secure the top to the sides.



Your Printer Wagon is now assembled and ready for use.