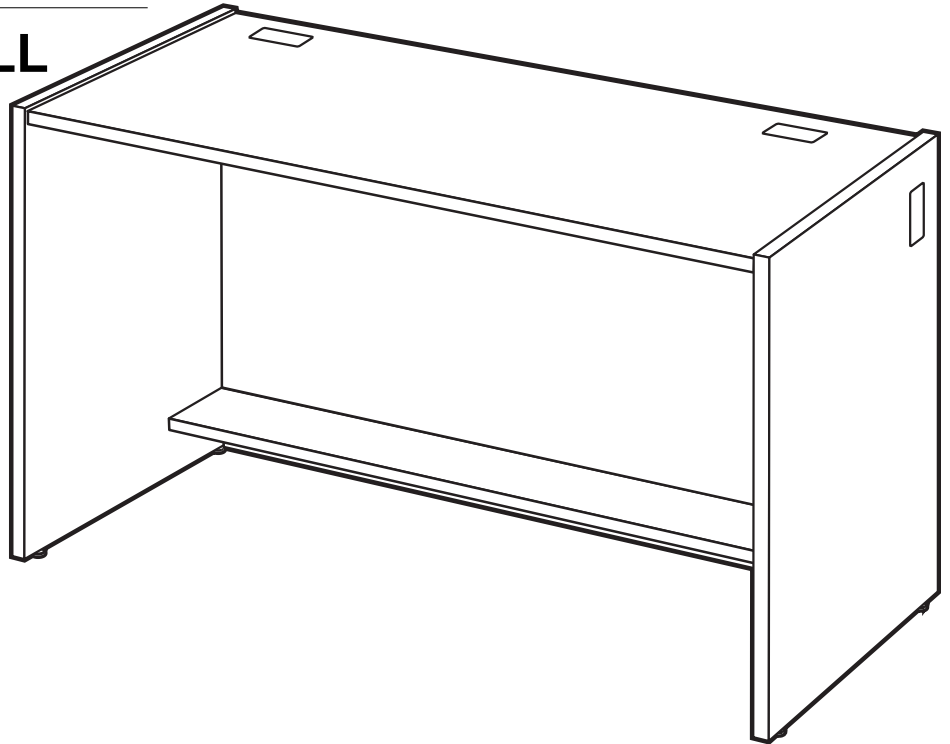




BY  **IRONWOOD**

CIRCULATION DESK
CD6029/CD6032
CD6039

DESK SHELL



IMPORTANT!

Assembly may require the assistance of another person.

Before you begin assembly:

READ THE DIRECTIONS all the way through one time. This will speed up the process and help you understand the sequence of steps.

COUNT THE PARTS AND HARDWARE before assembly. This ensures you have received all necessary parts before you begin.

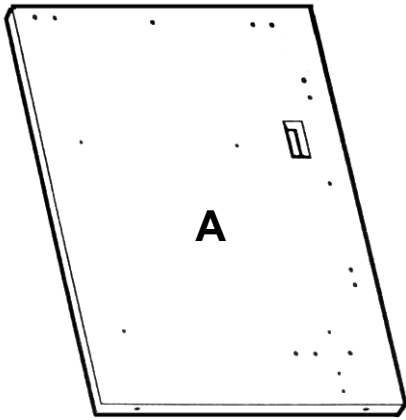
TOOLS: You may need a Phillips head screwdriver, a medium slotted screwdriver or a plastic mallet. To protect your new furniture from damage during assembly, it is recommended to work on a carpeted surface.

In the event any parts are missing from this package, send your name, address, telephone number, and a description of the missing part(s) to: **PARTS, Box 1420, Missoula, MT 59806** or call: **1-800-769-5693** or **FAX 1-800-445-5281**.

CAUTION: On assemblies requiring glue, make sure the unit is assembled correctly before gluing. Once this unit is assembled with glue, the manufacturer will not be responsible for damaged parts. Keep a damp cloth or sponge handy to wipe off excess glue.

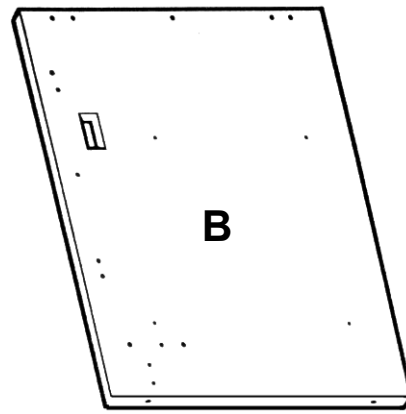
To care for this furniture, simply wipe with a cloth dampened with glass cleaner containing ammonia-D.

PARTS DIAGRAM



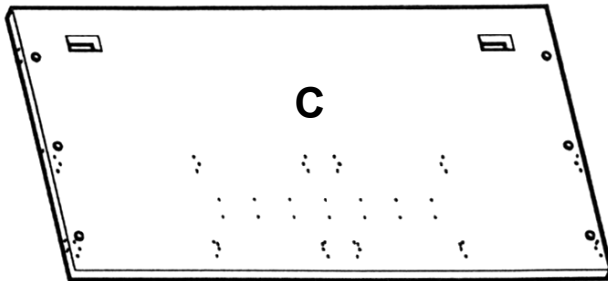
A

Left Side – CD6029	01011941	1 ea.
Left Side – CD6032	01012041	1 ea.
Left Side – CD6039	01012141	1 ea.



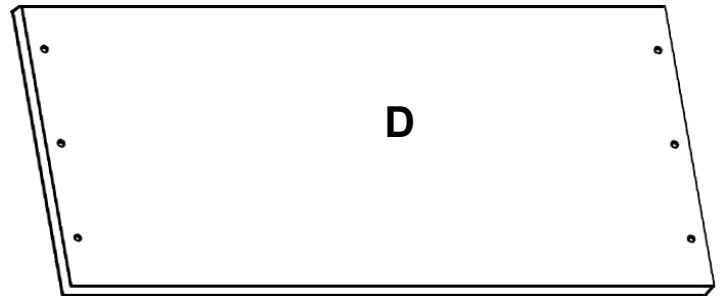
B

Right Side – CD6029	01011941	1 ea.
Right Side – CD6032	01012041	1 ea.
Right Side – CD6039	01012141	1 ea.



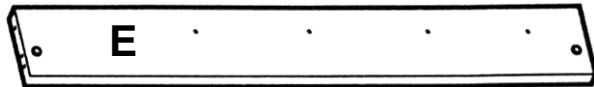
C

Top	01012201	1 ea.
-----	----------	-------



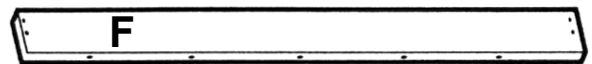
D

Back – CD6029	01012252	1 ea.
Back – CD6032	01012352	1 ea.
Back – CD6039	01012452	1 ea.



E

Bottom	01012201	1 ea.
--------	----------	-------



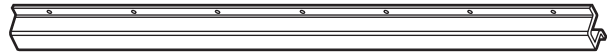
F

Toeboard	01012272	1 ea.
----------	----------	-------

HARDWARE



H1	Minifix Cam	909810	14 ea.
----	-------------	--------	--------



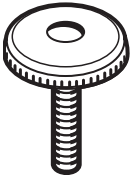
H2	Metal Brace	411180	1 ea.
----	-------------	--------	-------



H3	#8 x 5/8" Panhead Screw	988056	14 ea.
----	-------------------------	--------	--------



H4	Leveler Insert	274650	4 ea.
----	----------------	--------	-------



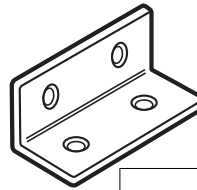
H5	Leveler	300870	4 ea.
----	---------	--------	-------



H6	Minifix Bolt	909834	14 ea.
----	--------------	--------	--------



H7	Wood Dowel	195000	12 ea.
----	------------	--------	--------



H8	Angle Bracket	401172	2 ea.
----	---------------	--------	-------



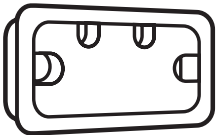
H9	#14 x 1/2" Panhead Screw	901233	8 ea.
----	--------------------------	--------	-------



H10	Confirmat Screw	950100	5 ea.
-----	-----------------	--------	-------



H11	Wire Trough	412990	2 ea.
-----	-------------	--------	-------



H12	Grommet	286580	4 ea.
-----	---------	--------	-------



H14	Connector Screw	901350	4 ea.
-----	-----------------	--------	-------



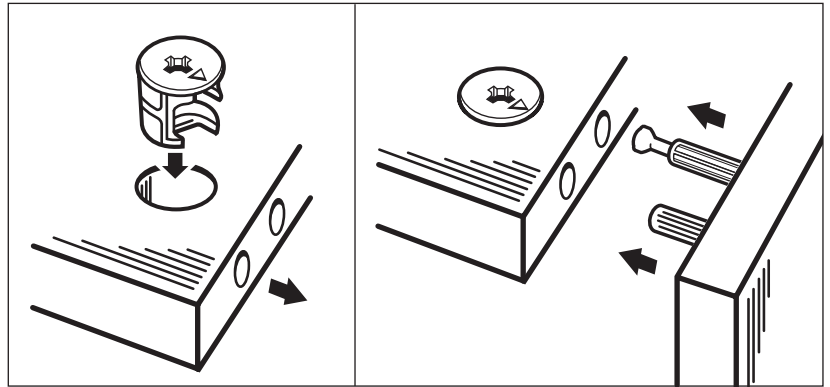
H13	Connector Sleeve	950200	4 ea.
-----	------------------	--------	-------



H15	6 x 5/8 Panhead Screw	901216	4 ea.
-----	-----------------------	--------	-------

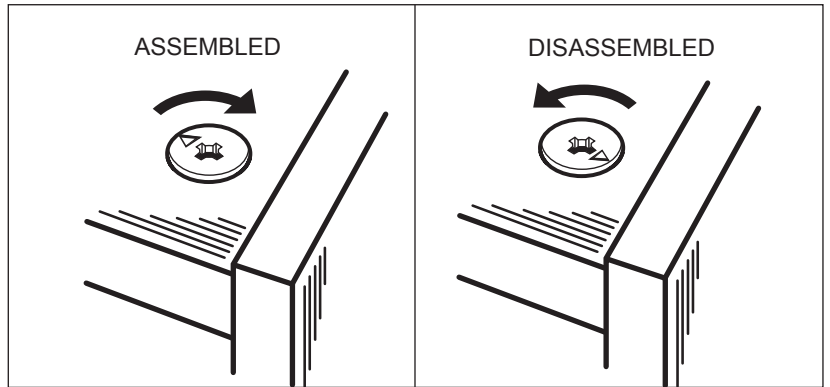
Using the Minifix System:

Insert the Minifix Cams into the appropriate holes with the arrow facing outwards as shown.



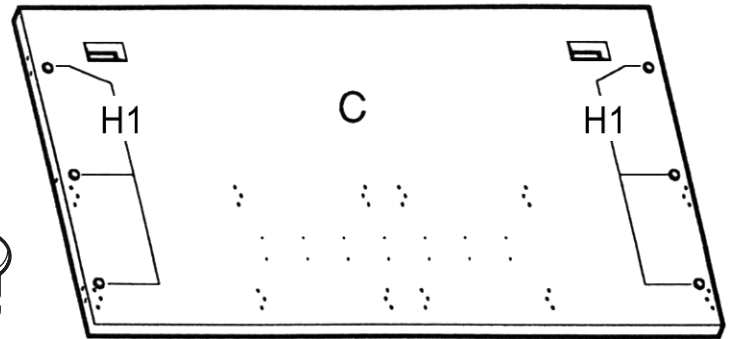
Using the #2 Phillips screwdriver, rotate the Cam Devices a half turn clockwise until snug.

To disassemble, turn the Cam Devices counter-clockwise and remove panels.



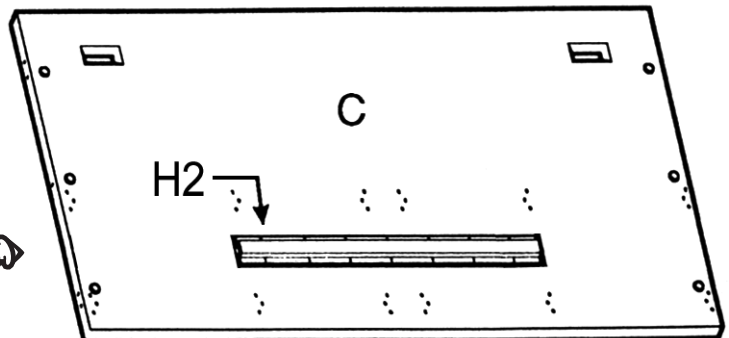
#1

Place the Top (C) onto a clean, carpeted surface with the pre-drilled holes facing up. Insert six Minifix Cams (H1) into the top with the arrows of the cams facing out.



#2

Attach the Metal Brace (H2) to the Top (C) using fourteen #8 x 5/8" Panhead Screws (H3) in the pre-drilled holes as shown.



#3

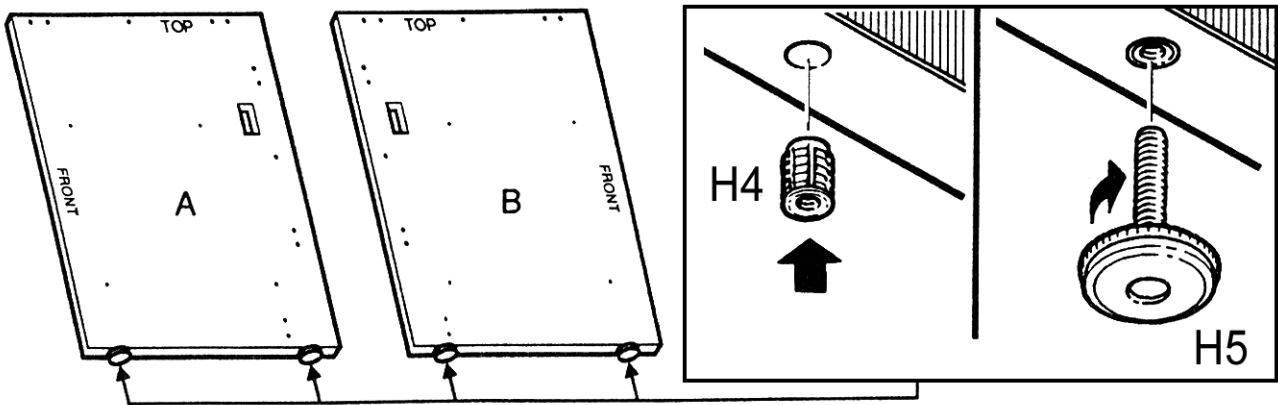
Place the Back (D) with the pre-drilled holes facing up as shown. Insert six Minifix Cams (H1) into the Back with the arrows of the cams facing out.



#4

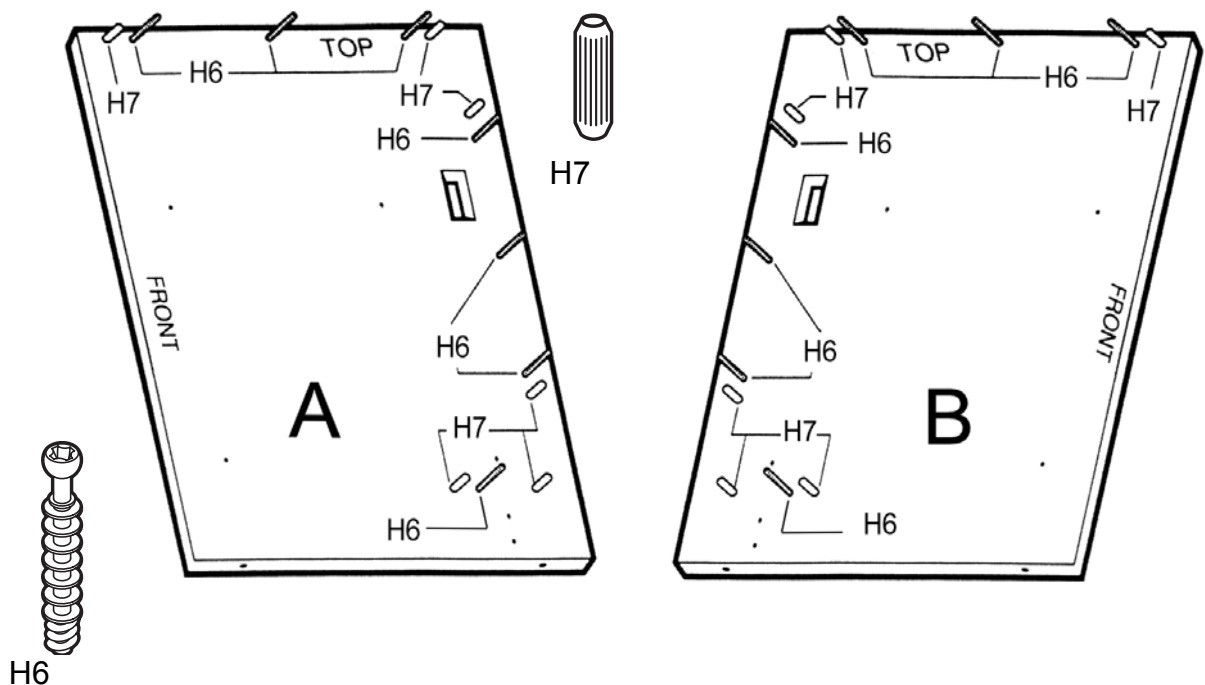
Insert the Leveler Inserts (H4) into the holes in the bottom edges of Left Side (A) and Right Side (B). Using a plastic mallet, tap until flush with the surface. Screw the Levelers (H5) into the Leveler Inserts.

Adjust Levelers when the assembled unit is in place.



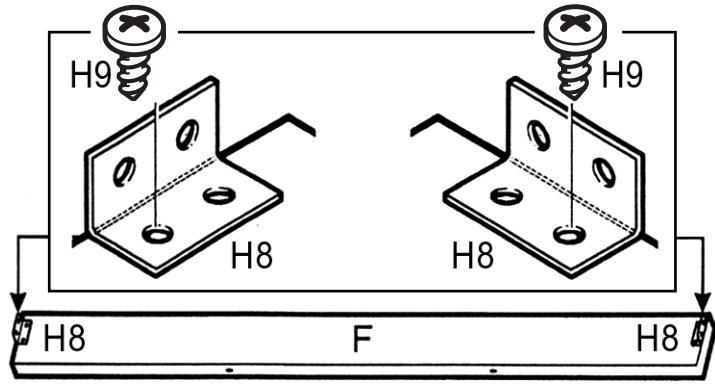
#5

Screw seven Minifix Bolts (H6) into each Side (A & B) where indicated. Insert six Dowels (H7) into each side (A & B) where indicated.



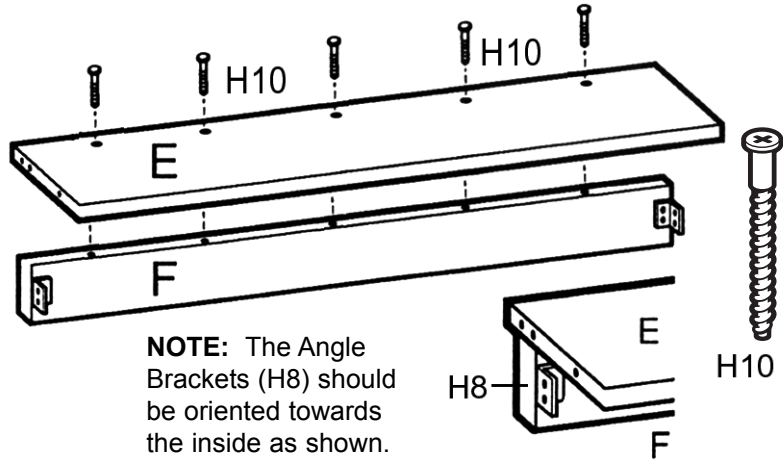
#6

Secure an Angle Bracket (H8) to each end of the Toeboard (F) using the 1/2" Panhead Screws (H9).



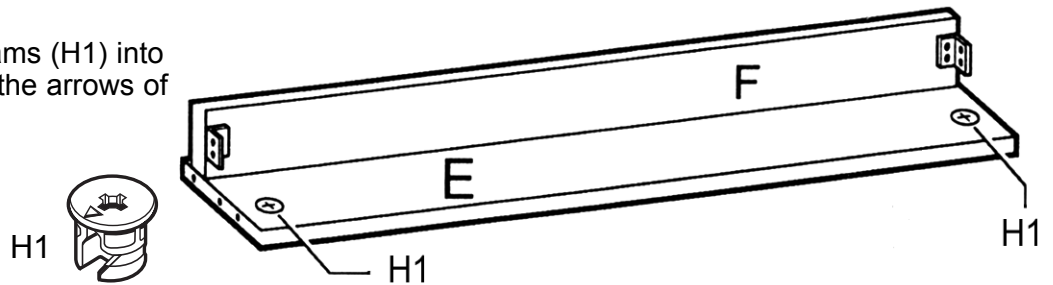
#7

Attach the Toeboard (F) to the Bottom (E) using five Confirmat Screws (H10) through the pre-drilled holes as shown.



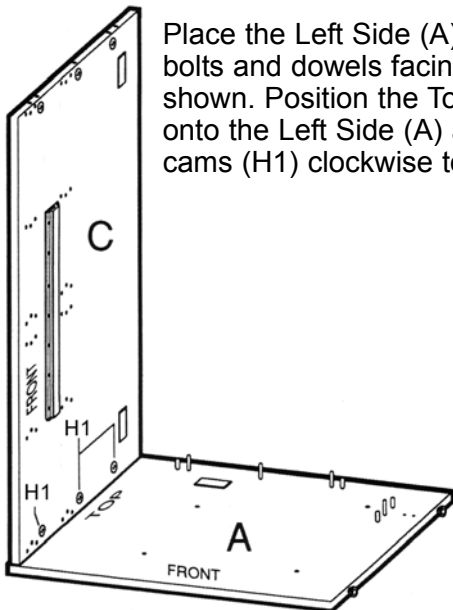
#8

Insert two Minifix Cams (H1) into the Bottom (E) with the arrows of the cams facing out.



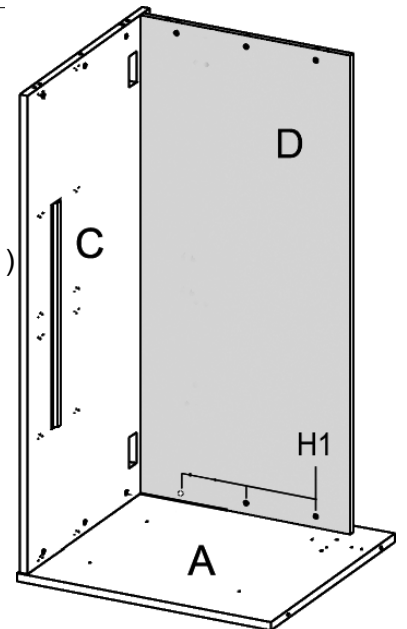
#9

Place the Left Side (A) with the bolts and dowels facing up as shown. Position the Top (C) onto the Left Side (A) and turn cams (H1) clockwise to secure.



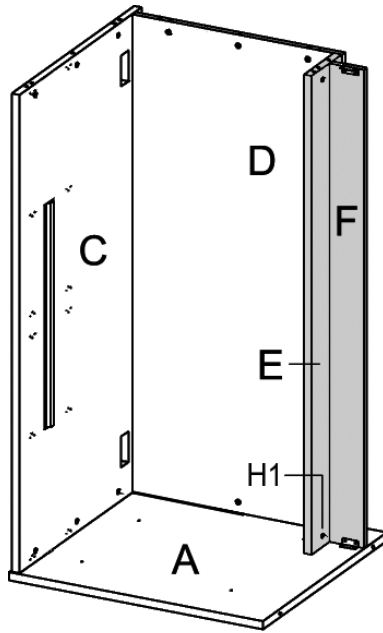
#10

Position the Back (D) onto the Left Side (A) and turn the cams (H1) clockwise to secure.



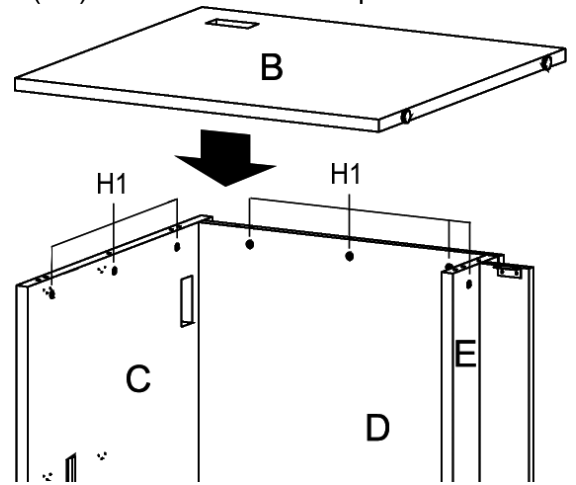
#11

Position the Bottom (E) and Toeboard (F) assembly onto the Left Side (A) and turn cam (H1) clockwise to secure.



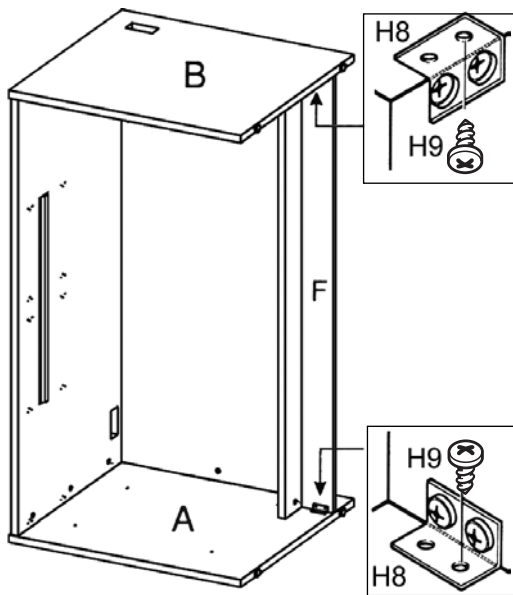
#12

Position the bolts and dowels of the Right Side (B) onto the unit and turn the cams (H1) clockwise to lock in place.



#13

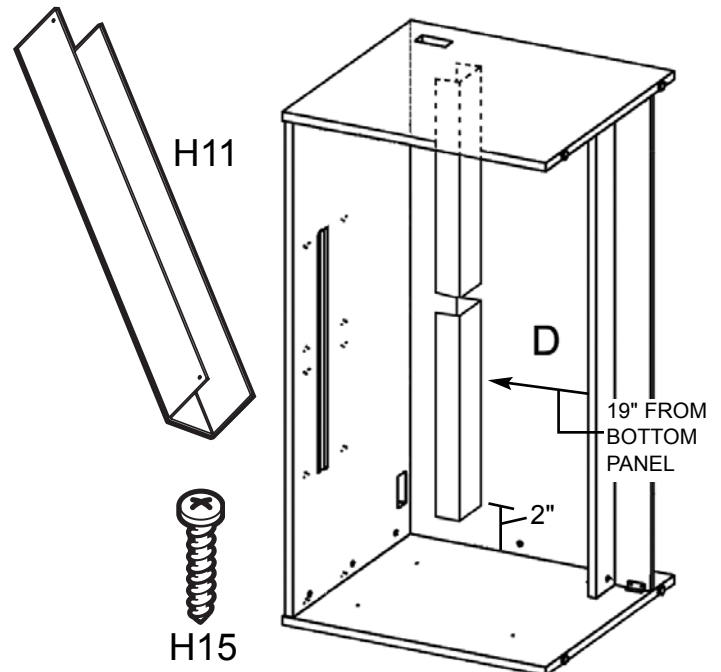
Secure the Angle Brackets (H8) of the Toeboard (F) to each Side (A & B) using 1/2" Panhead Screws (H9).



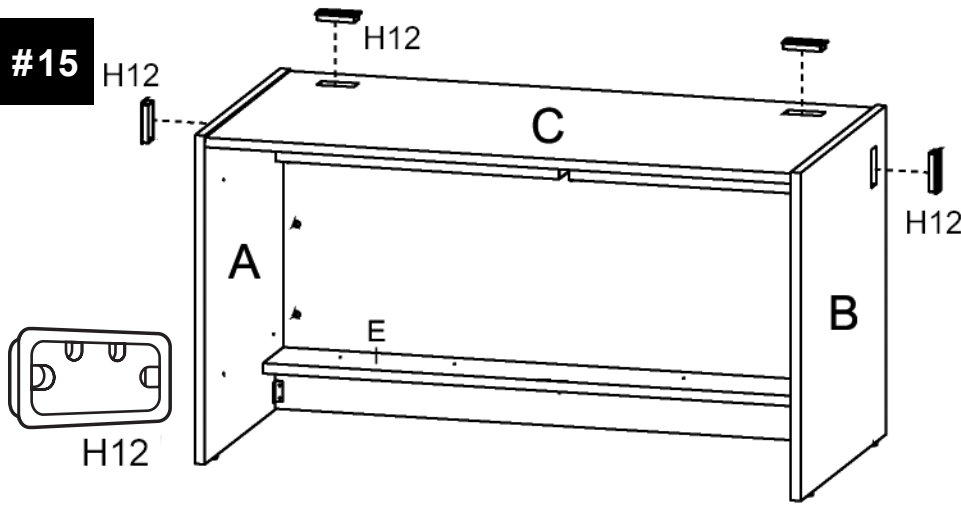
#14

Peel the paper backing from the adhesive strip on the Wire Trough (H11). Attach the Wire Trough to the Back of the unit and secure in place by driving two Panhead Screws (H15) through the predrilled holes in the Wire Trough.

Note: It will be difficult to remove or reposition the wire trough once the Back and Top are joined.



#15

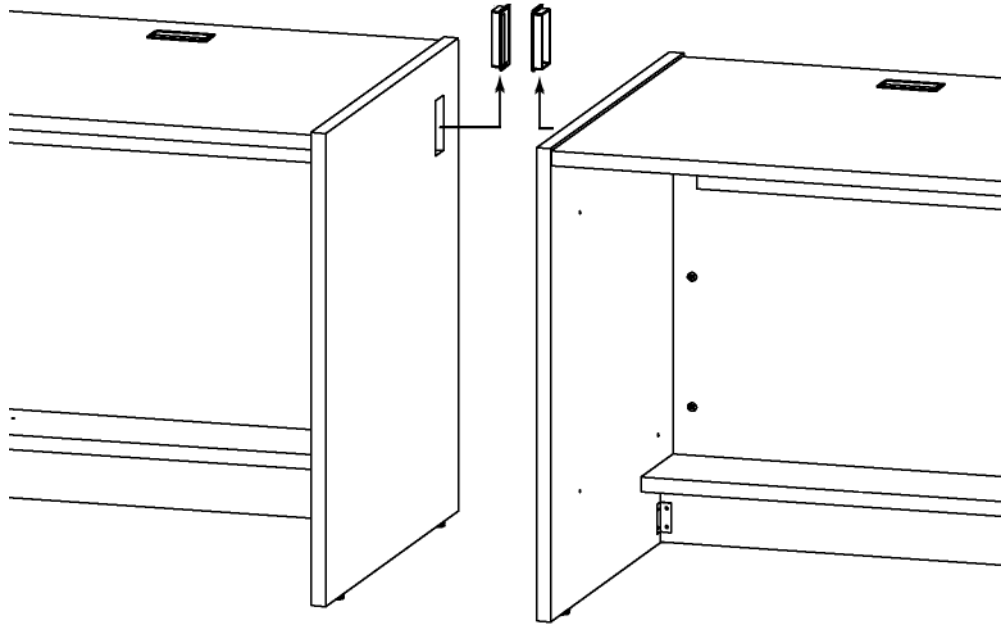


With the assistance of another person, turn the unit upright. Insert Grommets (H12) into the Left Side (A), Right Side (B), and Top (C).

**Assembly is now complete
and your Glacier 60" Desk Shell is ready for use.**

ADJOINING TO OTHER WORKSTATIONS:

Remove Grommets from the panels to be connected.



Using a 13/64" bit, drill through the four pilot holes on the inside of each side panel.

Align the side panels of the units to be connected. Tap four Connector Sleeves (H13) through the holes in one side panel and into the holes of the unit to be connected. From the other side, secure the units together using four Connector Screws (H14).

