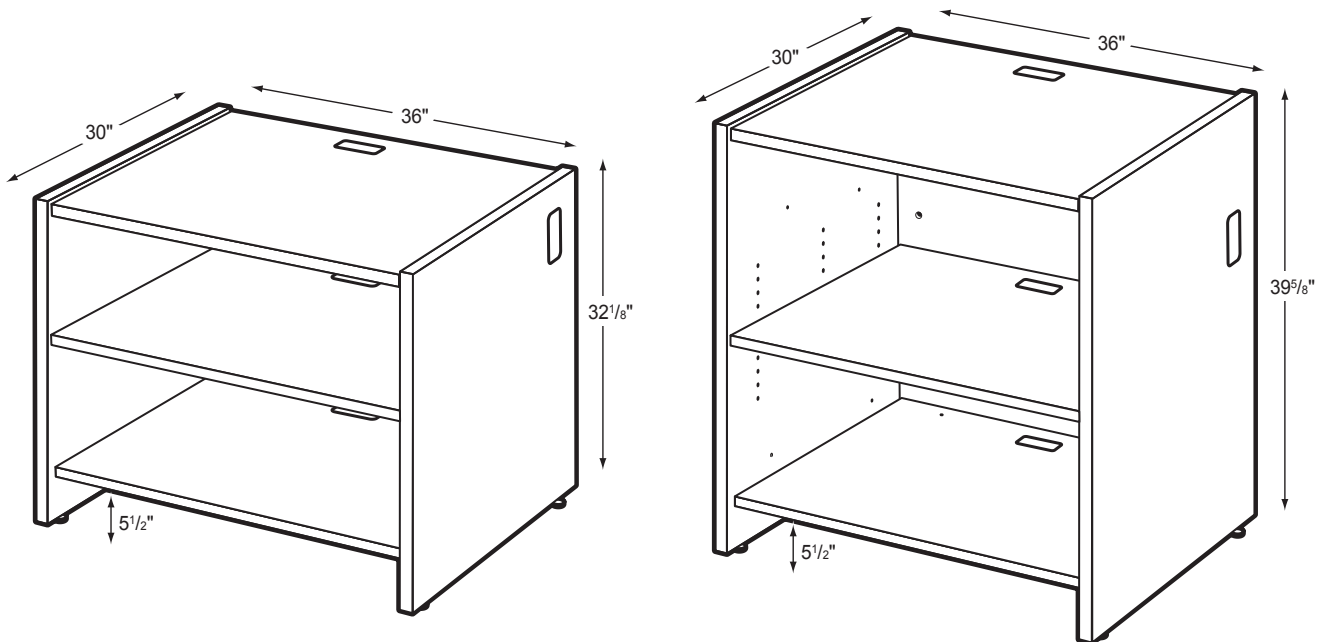


# CDAS-39

## Adjustable Shelf Unit



### Product Specs

- 1" thermal fused laminate sides, shelves, bottom and top
- 3/4" thermal fused laminate modesty and kick
- Cam and post construction
- Matched edge banding
- Adjustable shelf on 1-1/4" increments
- Five - 2"x 4" grommets with covers
- Adjustable leveling glides