



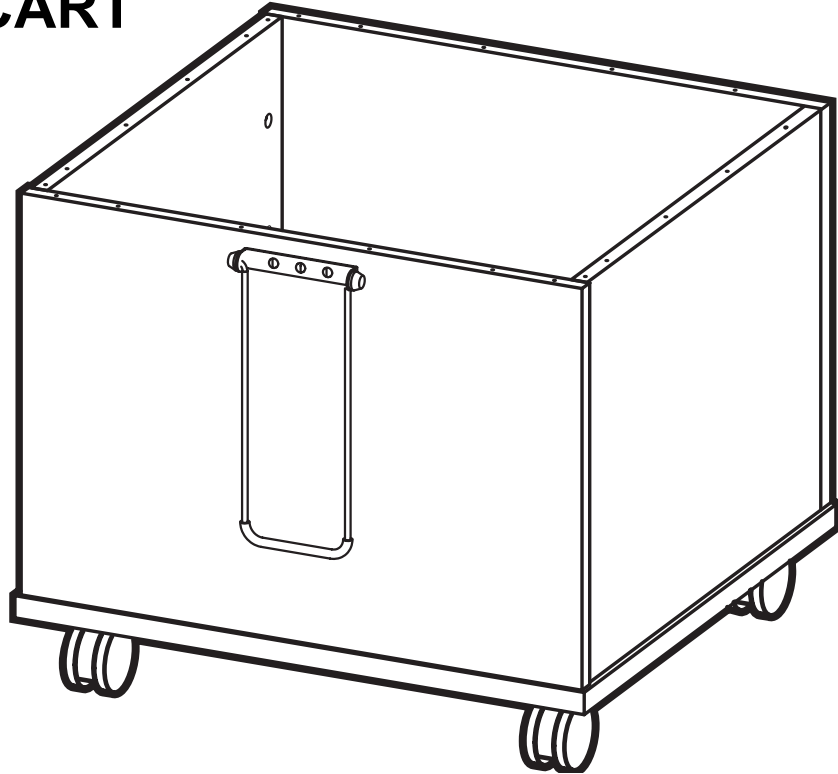
BY  **IRONWOOD**

---

# CDBC

---

## CIRCULATION BOOK CART



### **IMPORTANT!**

**Assembly may require the assistance of another person.**

**Before you begin assembly:**

**READ THE DIRECTIONS** all the way through one time. This will speed up the process and help you understand the sequence of steps.

**COUNT THE PARTS AND HARDWARE** before assembly. This ensures you have received all necessary parts before you begin.

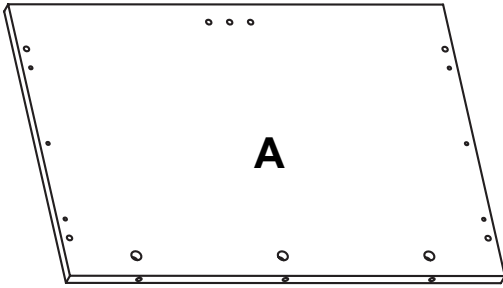
**TOOLS:** You may need a Phillips head screwdriver, a medium slotted screwdriver or a plastic mallet. To protect your new furniture from damage during assembly, it is recommended to work on a carpeted surface.

In the event any parts are missing from this package, send your name, address, telephone number, and a description of the missing part(s) to: **PARTS, Box 1420, Missoula, MT 59806** or call: **1-800-769-5693** or **FAX 1-800-445-5281**.

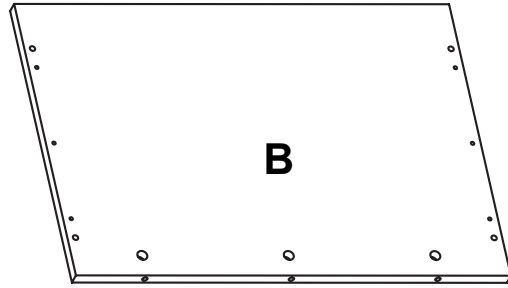
**CAUTION:** On assemblies requiring glue, make sure the unit is assembled correctly before gluing. Once this unit is assembled with glue, the manufacturer will not be responsible for damaged parts. Keep a damp cloth or sponge handy to wipe off excess glue.

To care for this furniture, simply wipe with a cloth dampened with glass cleaner containing ammonia-D.

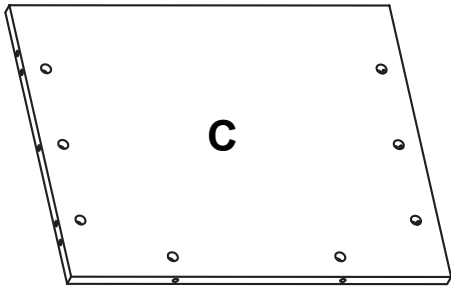
# PARTS DIAGRAM



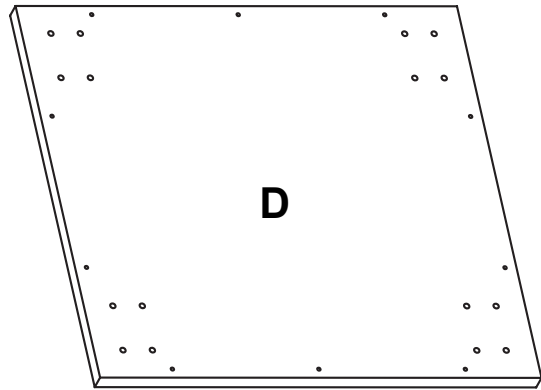
Front Panel	01010980	1 ea.
-------------	----------	-------



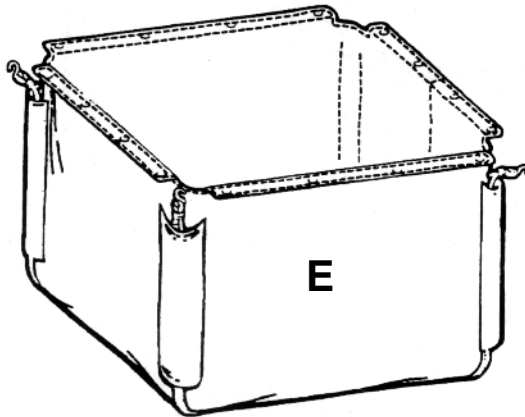
Back Panel	01010952	1 ea.
------------	----------	-------



Side Panel	01010941	2 ea.
------------	----------	-------

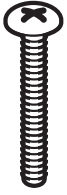


Bottom Panel	01010911	1 ea.
--------------	----------	-------



Bookdrop Back	412400	1 ea.
---------------	--------	-------

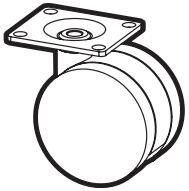
# HARDWARE



H1	Machine Screw	902201	16 ea.
----	---------------	--------	--------



H2	Nylok Nut	904420	16 ea.
----	-----------	--------	--------



H3	Swivel Caster	402640	4 ea.
----	---------------	--------	-------



H4	Minifix Bolt	909834	22 ea.
----	--------------	--------	--------



H5	Minifix	909810	22 ea.
----	---------	--------	--------



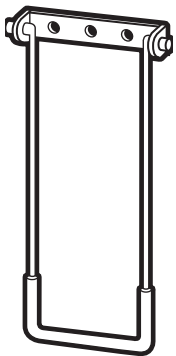
H6	Wood Dowels	195000	8 ea.
----	-------------	--------	-------



H7	Panhead Screw	901227	8 ea.
----	---------------	--------	-------



H8	Barrel Nut Lock	902200	3 ea.
----	-----------------	--------	-------



H9	Pull Handle	490670	1 ea.
----	-------------	--------	-------



H10	Machine Screw	901303	3 ea.
-----	---------------	--------	-------

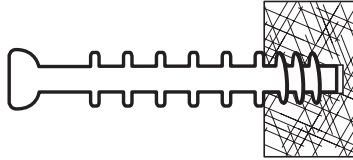


H11	Button Snap	930050	16 ea.
-----	-------------	--------	--------

### Using the Minifix System:

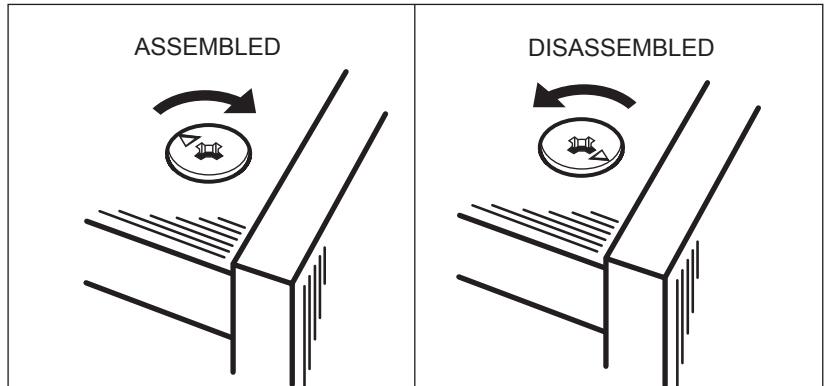
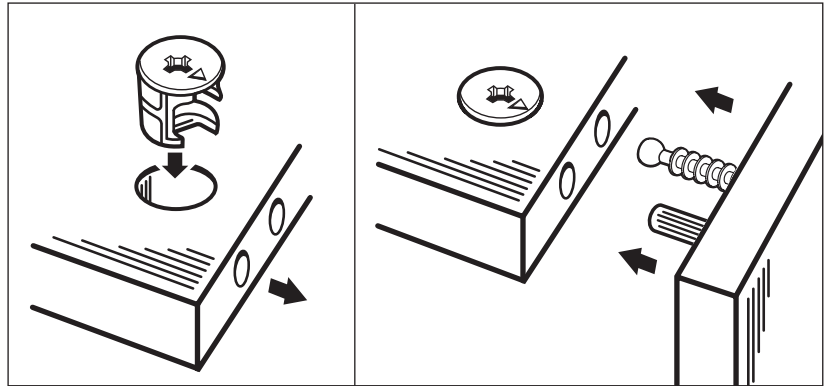
Insert the Minifix Cams into the appropriate holes with the arrow facing outwards as shown.

When screwing post into hole, **Do Not** over tighten. Screw post down until bottom face of post flange just touches board surface.



Using the #2 Phillips screwdriver, rotate the Cam Devices a half turn clockwise until snug.

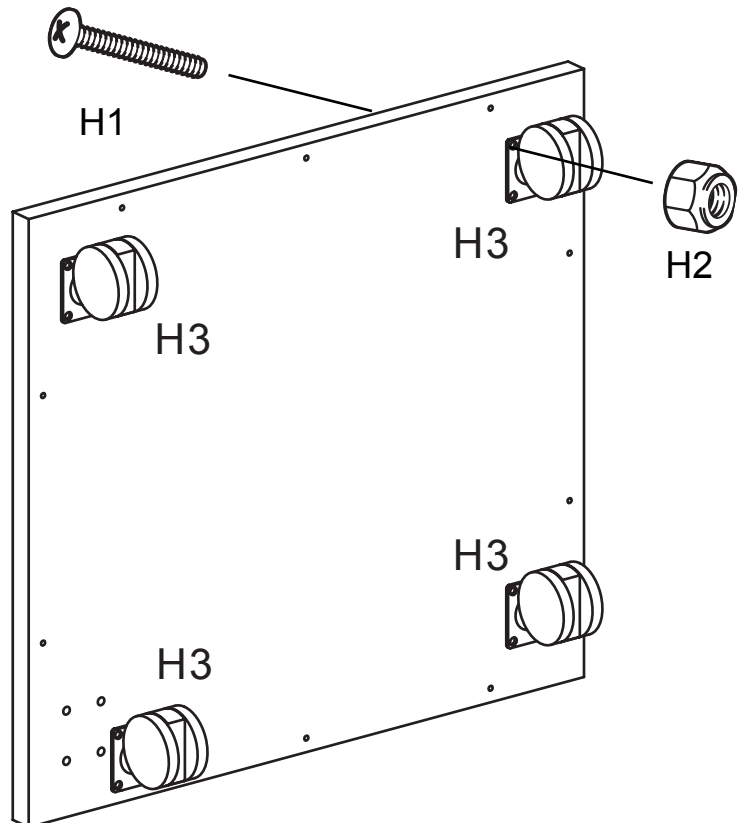
To disassemble, turn the Cam Devices counter-clockwise and remove panels.



## #1

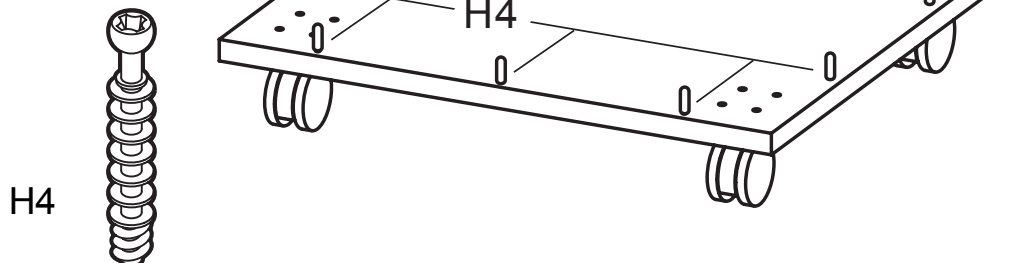
Turn the Bottom Panel (D) onto its side with the front edge facing up.

Insert Long Machine Screws (H1) through the Bottom Panel (D) and attach four Casters (H3) as shown. Using a slotted screwdriver and a 7/16" wrench, secure in place using the Nylok Nuts (H2) as shown.



## #2

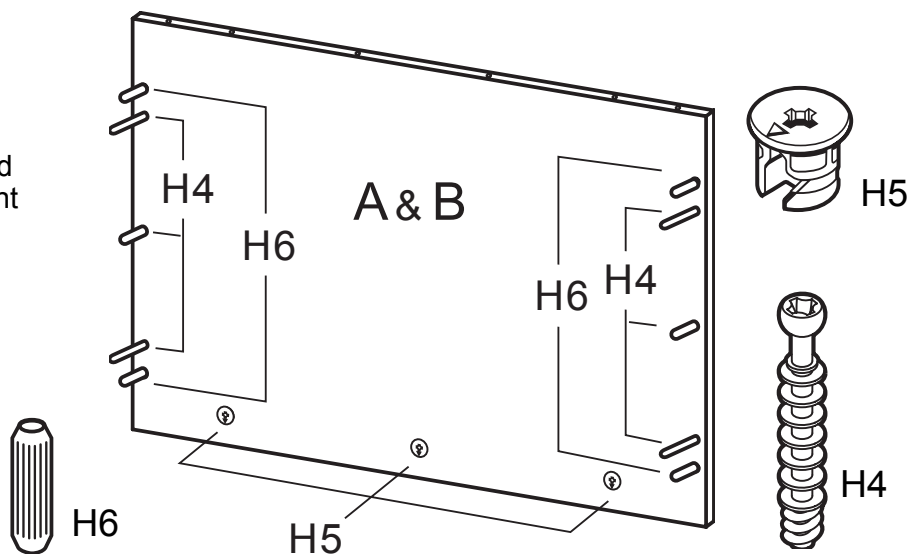
Turn the Bottom Panel (D) top side up. Using a screwdriver, screw ten Minifix Bolts (H4) into the Bottom Panel where indicated.



## #3

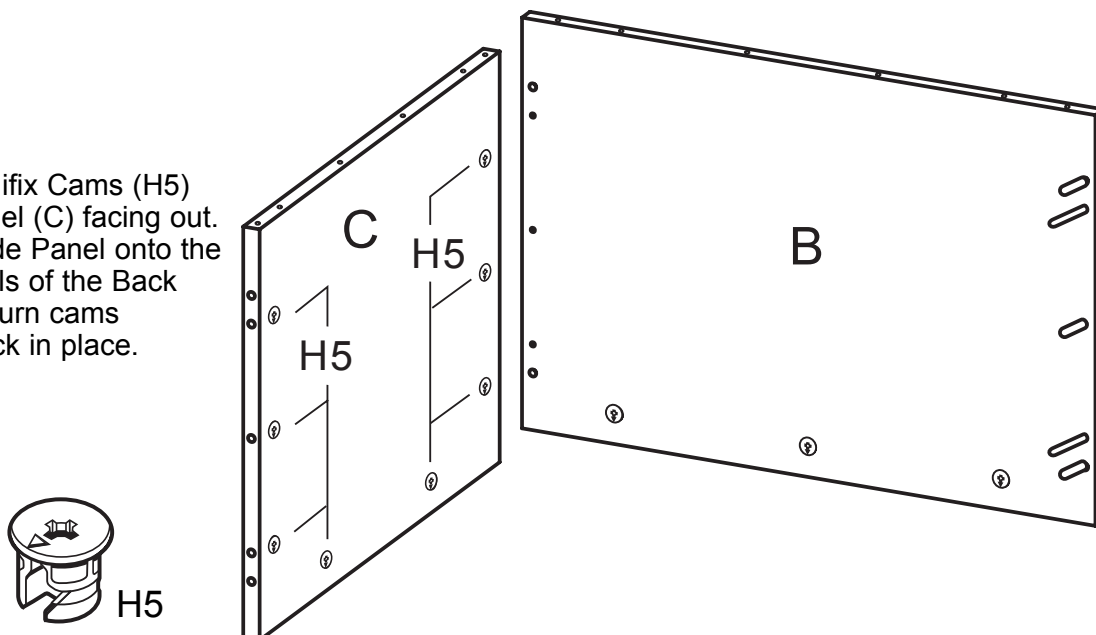
Screw six Minifix Bolts (H4) and insert four Wood Dowels (H6) into the Front and Back Panels (A&B) where indicated.

Insert three Minifix Cams (H5) into the holes as shown with the arrow facing out.



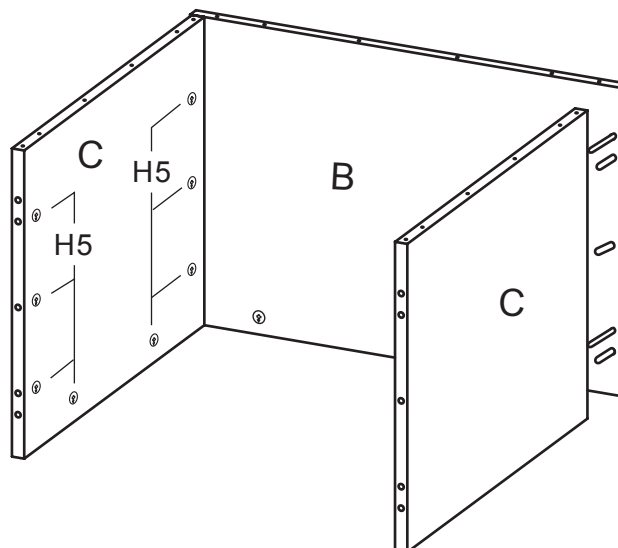
## #4

Insert eight Minifix Cams (H5) into a Side Panel (C) facing out. Position the Side Panel onto the bolts and dowels of the Back Panel (B) and turn cams clockwise to lock in place.



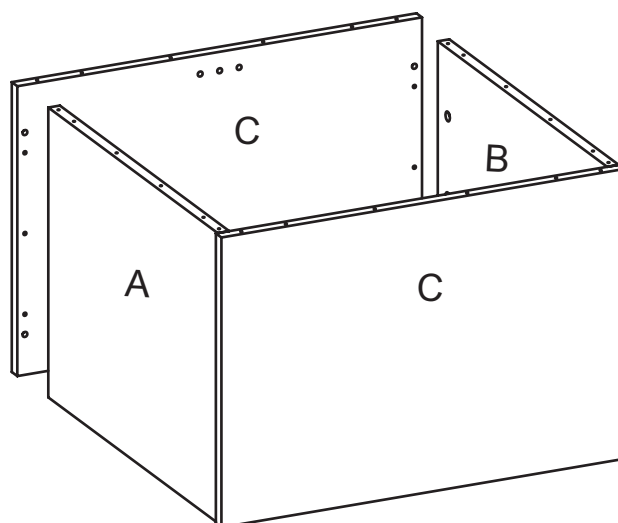
## #5

Insert eight Minifix Cams (H5) into a Side Panel (C) facing out. Position the Side Panel onto the bolts and dowels of the Back Panel (B) and turn cams clockwise to lock in place.



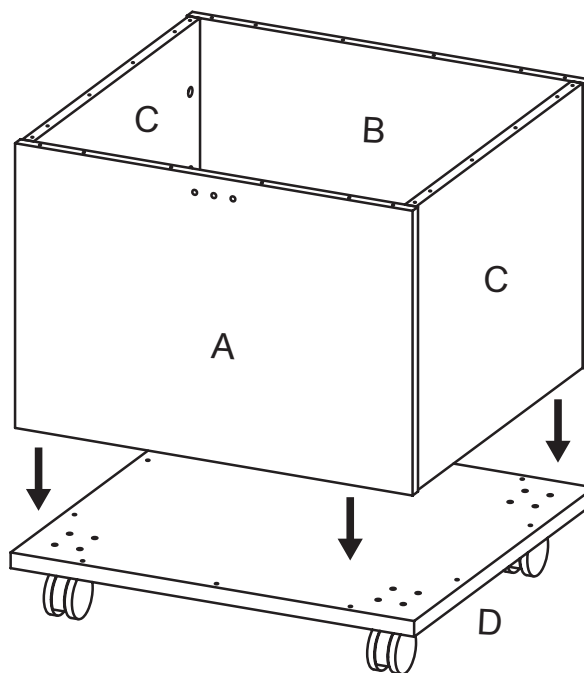
## #6

Position the Front Panel (A) onto the Side Panels (C) and turn cams to secure.



## #7

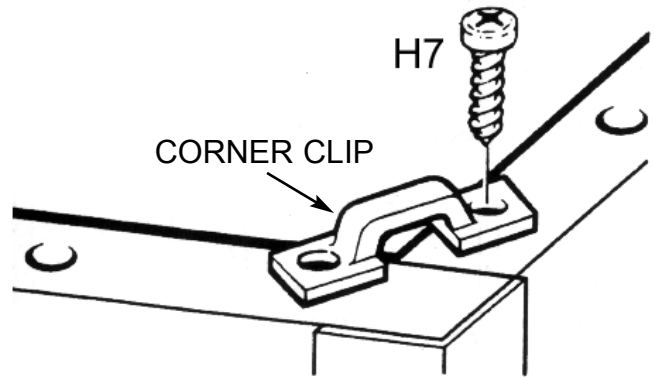
With the assistance of another person, carefully position the assembly on the bolts of the Bottom Panel (D) and turn cams to secure.



## #8

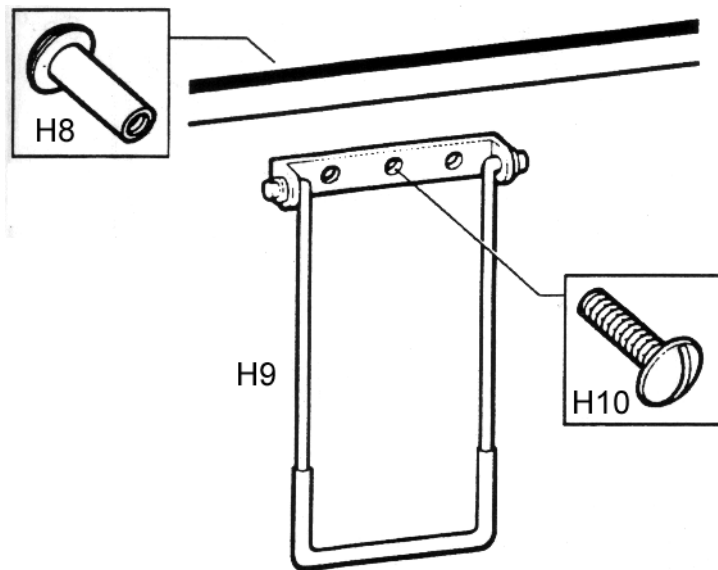
From the hardware included with the Book Drop Bag\*, take four Corner Clips and attach to each corner of unit using 1" Panhead Screws (H7) in the predrilled holes.

**\*Note:** Some of the hardware included with the Book Drop Bag will not be used in this assembly.



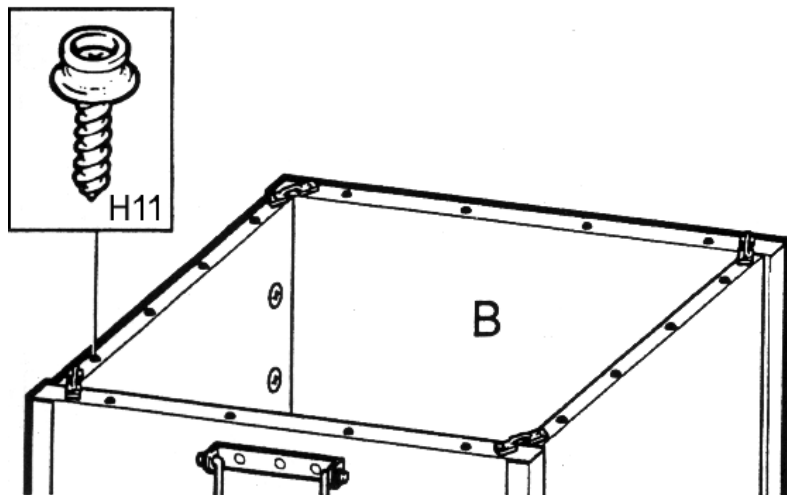
## #9

Insert three Barrel Nuts (H8) into the back side of Front Panel (A) and attach the Pull Handle (H9) to the Front Panel using three Short Machine Screws (H10) as shown.



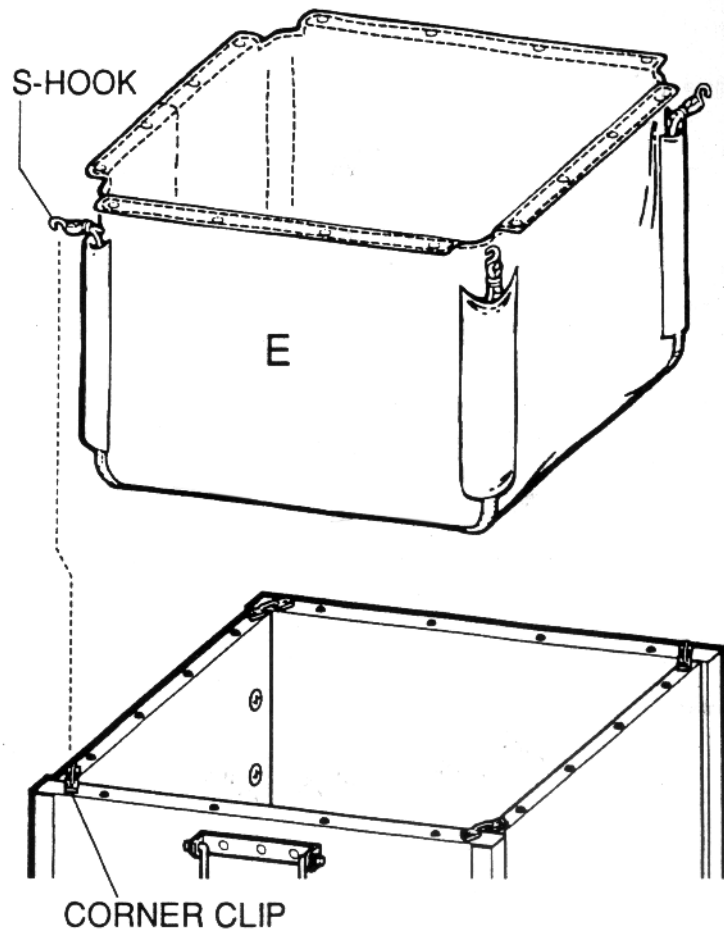
## #10

Screw sixteen Button Snap Studs (H11) (four to each edge) into the pre-drilled holes in the upper edge of unit.



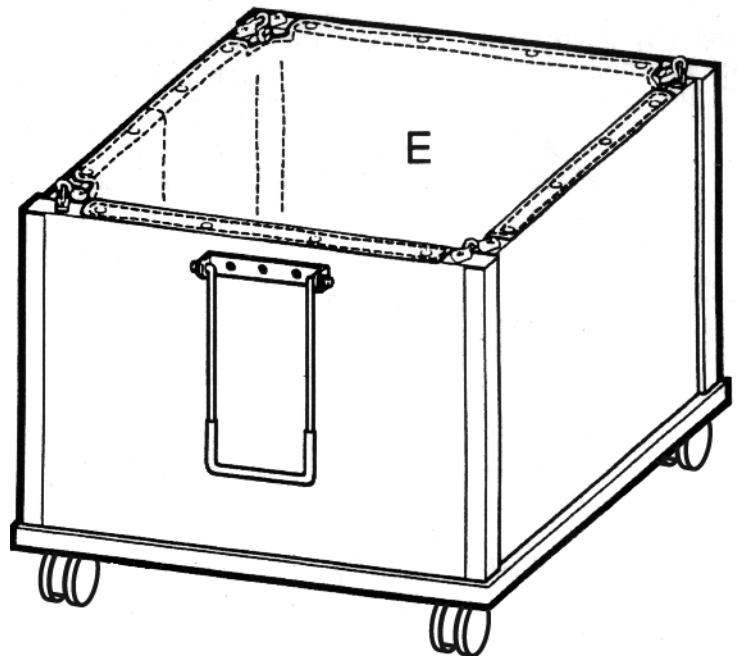
## #11

Insert the Book Drop Bag (E) into unit. Pull the S-hooks out of the corners of the Book Drop Bag and attach to the corresponding Corner Clips (H12). Using pliers, crimp the S-hooks onto the Corner Clips.



## #12

Press the Book Drop Bag (E) snaps onto the Button snap Studs (H11) along the top edges of the unit.



**Your Glacier Circulation Book Cart is now fully assembled and ready for use.**