



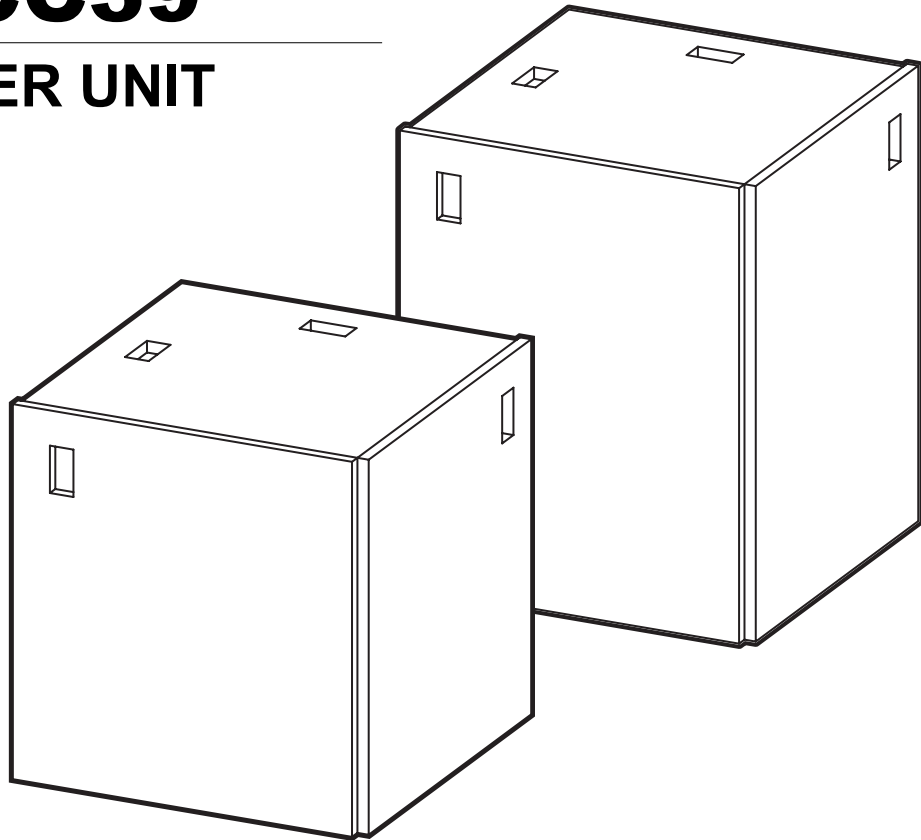
BY  **IRONWOOD**

---

# **CDCC CDCC39**

---

## **CORNER UNIT**



### **IMPORTANT!**

**Assembly may require the assistance of another person.**

**Before you begin assembly:**

**READ THE DIRECTIONS** all the way through one time. This will speed up the process and help you understand the sequence of steps.

**COUNT THE PARTS AND HARDWARE** before assembly. This ensures you have received all necessary parts before you begin.

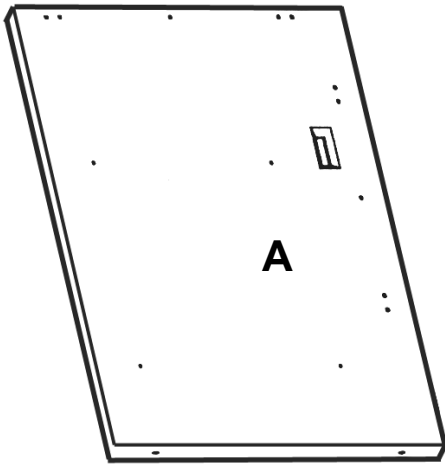
**TOOLS:** You may need a Phillips head screwdriver, a medium slotted screwdriver or a plastic mallet. To protect your new furniture from damage during assembly, it is recommended to work on a carpeted surface.

In the event any parts are missing from this package, send your name, address, telephone number, and a description of the missing part(s) to: **PARTS, Box 1420, Missoula, MT 59806** or call: **1-800-769-5693** or **FAX 1-800-445-5281**.

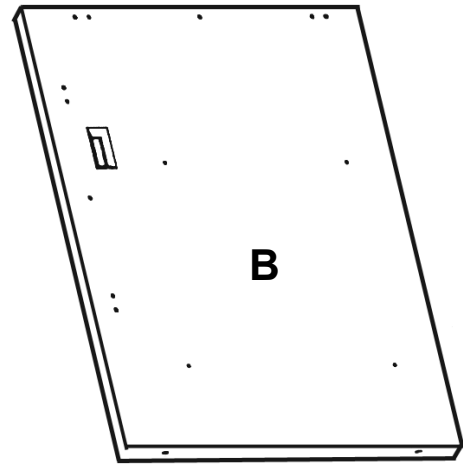
**CAUTION:** On assemblies requiring glue, make sure the unit is assembled correctly before gluing. Once this unit is assembled with glue, the manufacturer will not be responsible for damaged parts. Keep a damp cloth or sponge handy to wipe off excess glue.

To care for this furniture, simply wipe with a cloth dampened with glass cleaner containing ammonia-D.

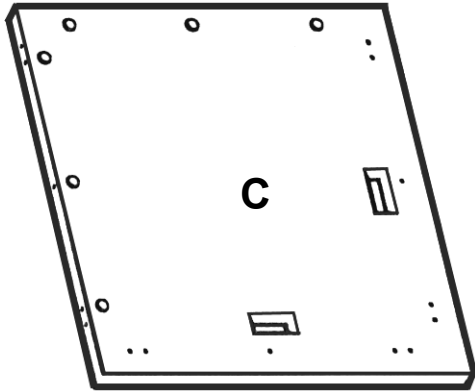
# PARTS DIAGRAM



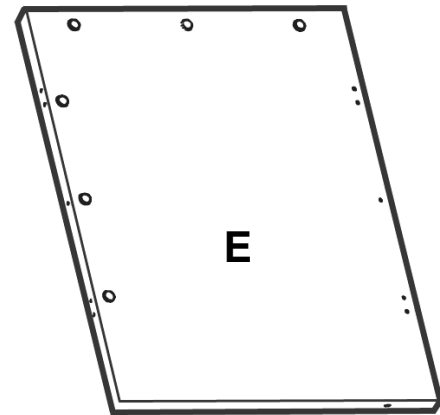
Left Side - CDCC	01011241	1 ea.
Left Side - CDCC39	01011341	1 ea.



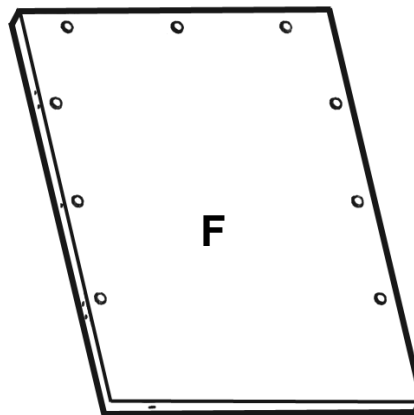
Right Side - CDCC	01011241	1 ea.
Right Side - CDCC39	01011341	1 ea.



Top	01011201	1 ea.
-----	----------	-------



Left Back - CDCC	01011253	1 ea.
Left Back - CDCC39	01011353	1 ea.



Right Back - CDCC	01011254	1 ea.
Right Back - CDCC39	01011354	1 ea.

# HARDWARE



H1	Minifix Cam	909810	21 ea.
----	-------------	--------	--------



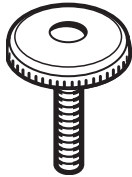
H2	Minifix Bolt	909834	21 ea.
----	--------------	--------	--------



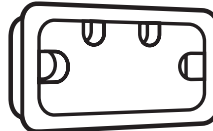
H3	Dowel	195000	14 ea.
----	-------	--------	--------



H4	Leveler Insert	274650	6 ea.
----	----------------	--------	-------



H5	Leveler	300870	6 ea.
----	---------	--------	-------



H6	Grommet	286580	2 ea.
----	---------	--------	-------

## Hardware For Connecting to Other Glacier Circulation Desk Units

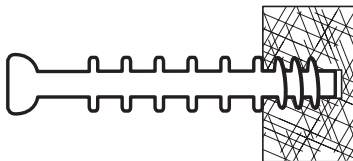


H7	1 3/4" Washerhead Screw	902215	8 ea.
----	----------------------------	--------	-------

### Using the Minifix System:

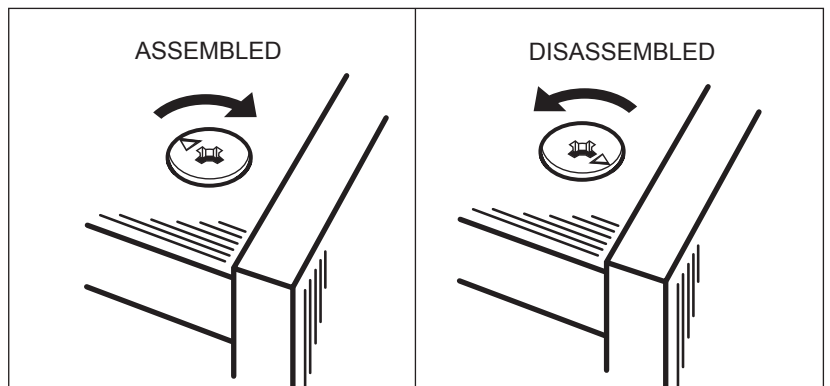
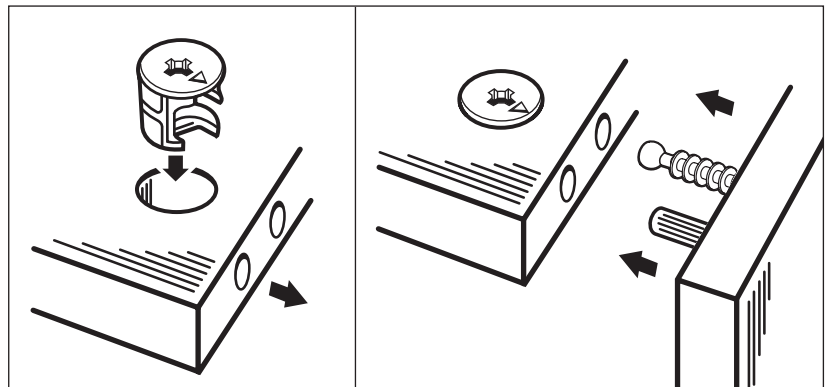
Insert the Minifix Cams into the appropriate holes with the arrow facing outwards as shown.

When screwing post into hole, **Do Not** over tighten. Screw post down until bottom face of post flange just touches board surface.



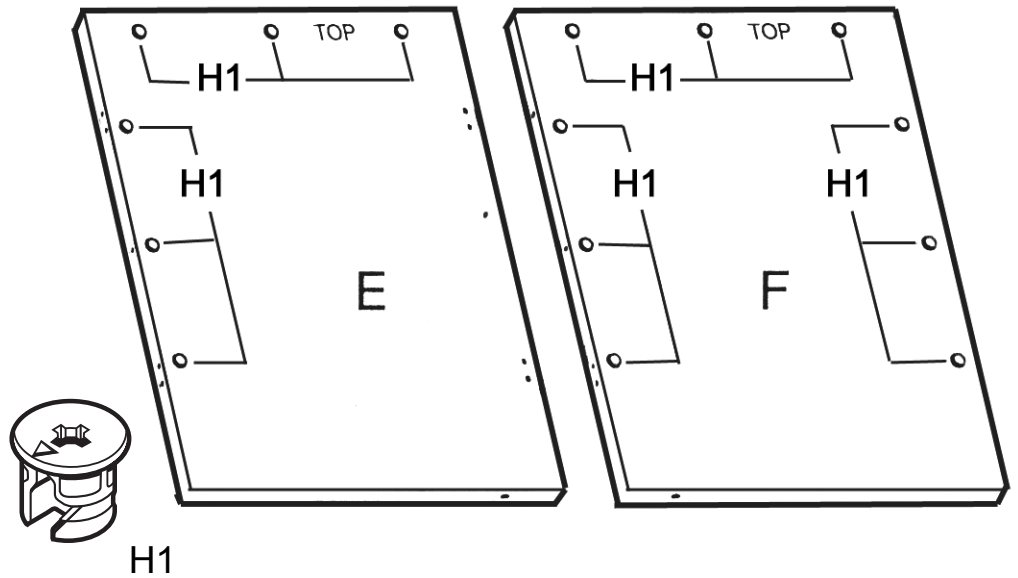
Using the #2 Phillips screwdriver, rotate the Cam Devices a half turn clockwise until snug.

To disassemble, turn the Cam Devices counter-clockwise and remove panels.



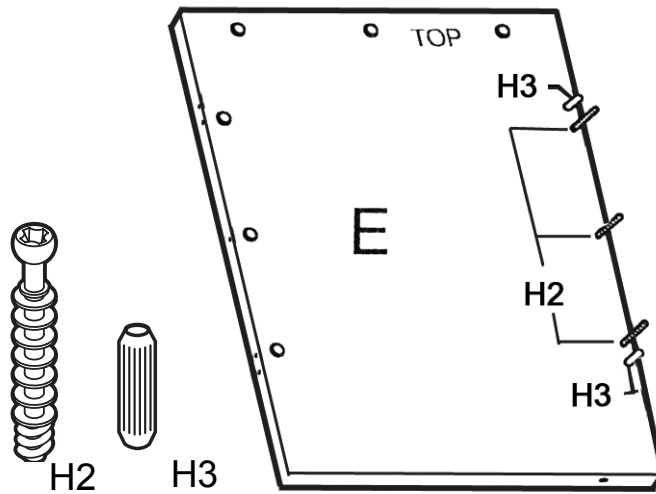
# #1

Place the Left Back (E) and Right Back (F) on a clean, carpeted surface with the pre-drilled holes facing up. Insert six Minifix Cams (H1) into the Left Back (E) and nine cams into Right Back (F) with the arrows of the cams facing out where indicated.



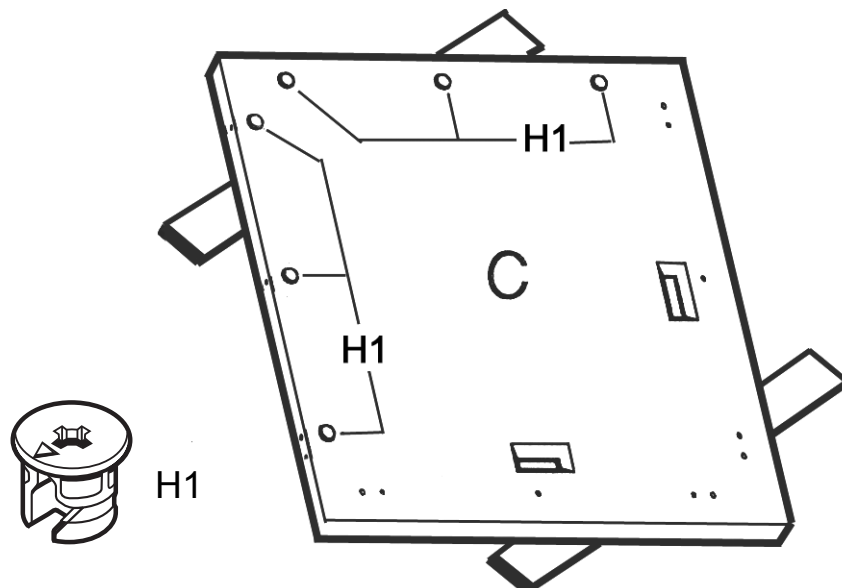
# #2

Screw three Minifix Bolts (H2) and insert two Dowels (H3) into the Left Back (E) where indicated.



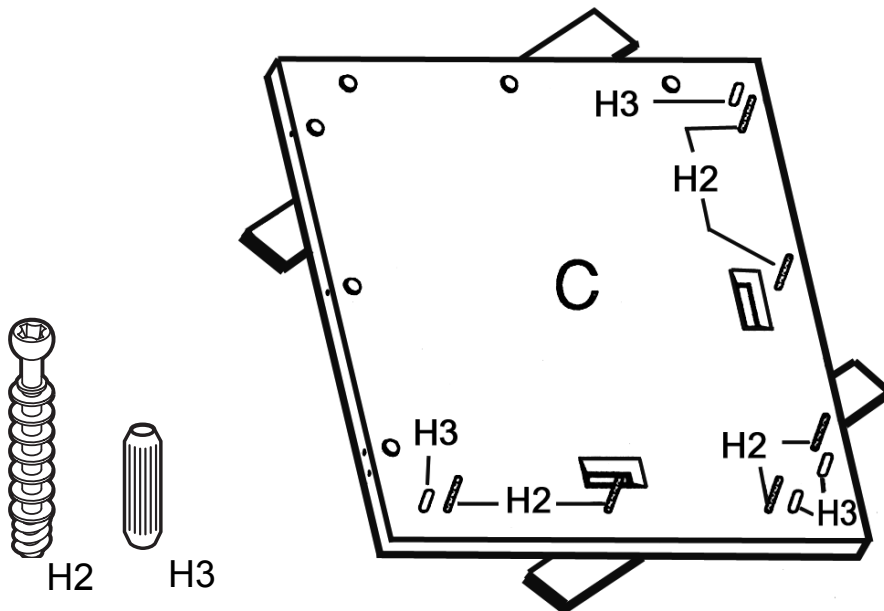
# #3

Slightly elevate the Top (C) by placing some packing material underneath it. Insert six Minifix Cams (H1) into the Top with the arrows of the cams facing out.



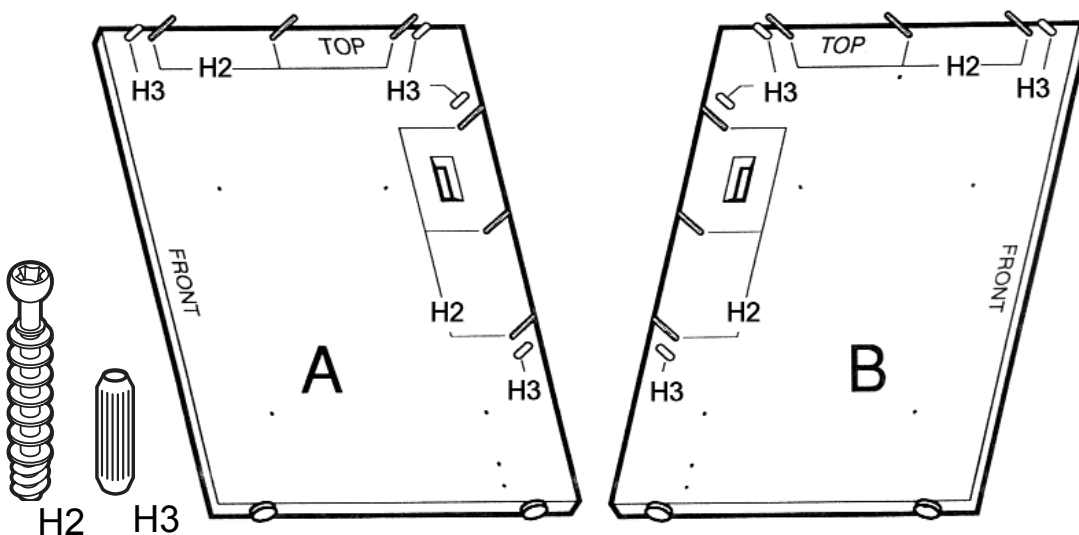
# #4

Screw six Minifix Bolts (H2) and insert four Wood Dowels (H3) into the Top (C) where indicated.



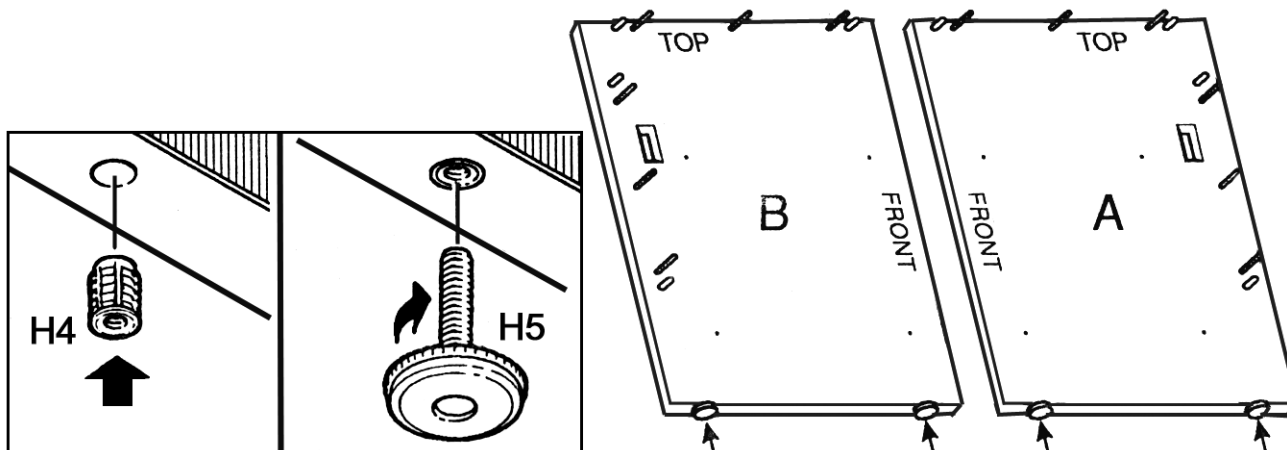
# #5

Screw six Minifix Bolts (H2) and insert four Dowels (H3) each into the Left Side (A) and Right Side (B) where indicated.



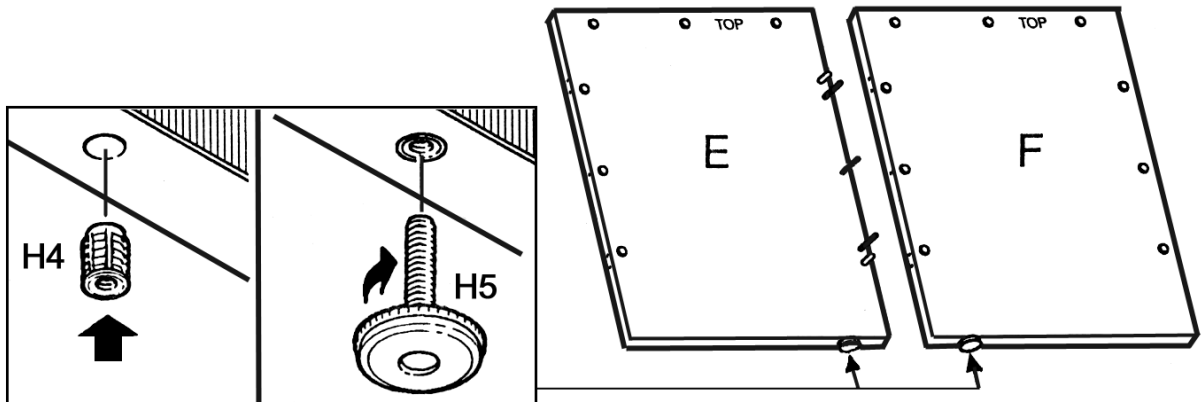
# #6

Insert the Leveler Inserts (H4) into the holes in the bottom edges of the Left Side (A) and Right Side (B). Using a plastic mallet, tap until flush with the surface. Screw the Levelers (H5) into the Leveler Inserts. Adjust Levelers when the assembled unit is in place.

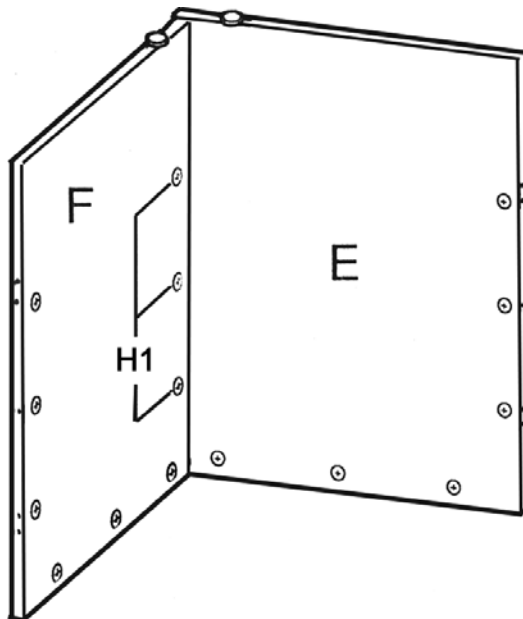


**#7**

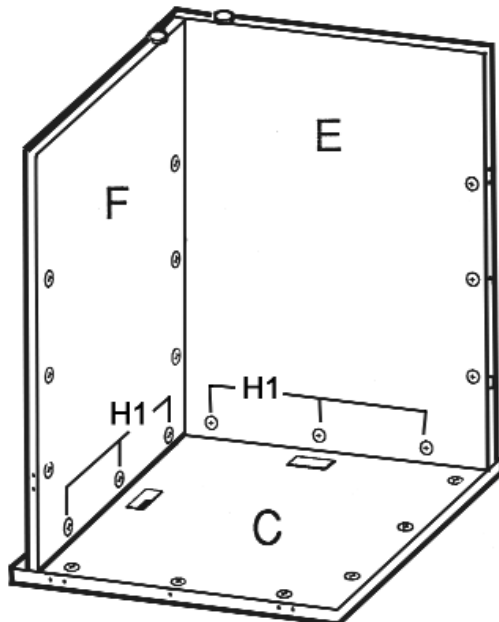
Insert the Leveler Inserts (H4) into the holes in the bottom edges of the Left Back (E) and Right Back (F). Using a plastic mallet, tap until flush with the surface. Screw the Levelers (H5) into the Leveler Inserts. Adjust Levelers when the assembled unit is in place.

**#8**

Position the Right Back (F) onto the bolts and dowels of the Left Back (E) and turn the cams (H1) clockwise to secure.

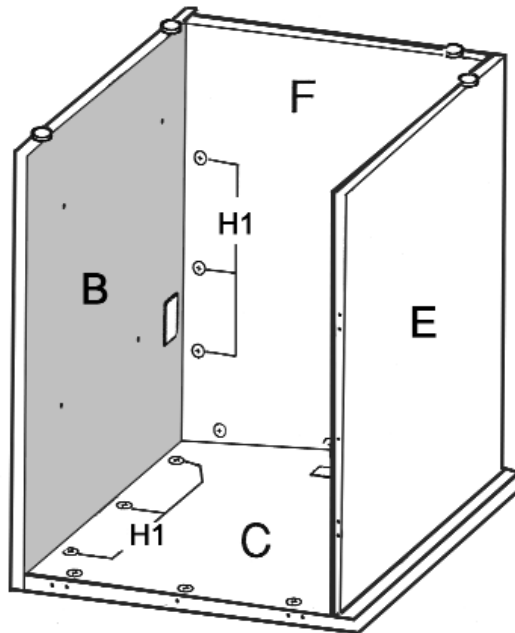
**#9**

Position the Back Panel assembly (E & F) onto the bolts and dowels of the Top (C) as shown. Turn the cams (H1) clockwise to secure.



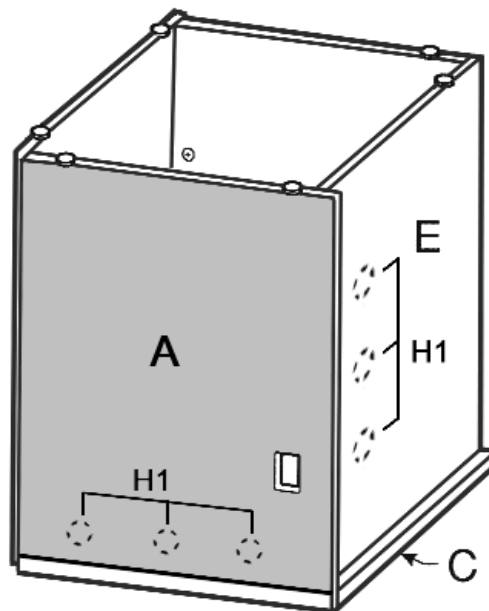
## #10

Position the Right Side (B) onto the unit as shown and turn the cams (H1) clockwise to secure.



## #11

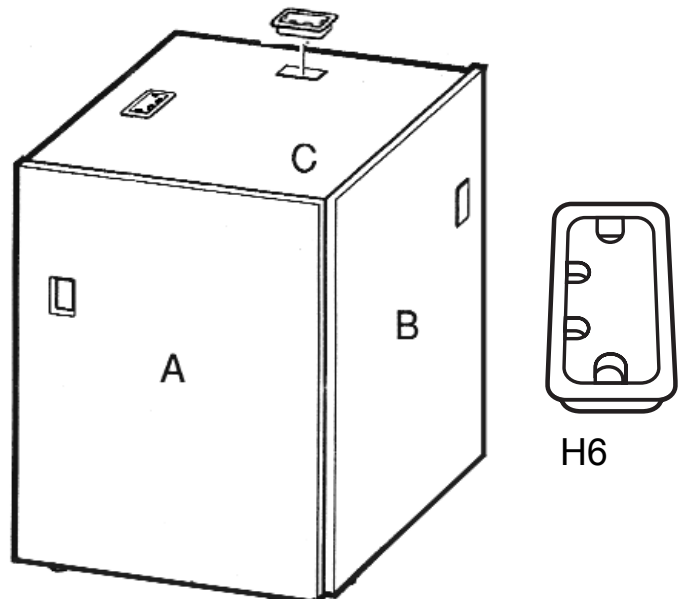
Position the Left Side (A) onto the unit as shown. Turn the cams (H1) of the Top (C) and Left Back (E) clockwise to secure in place.



## #12

Insert Grommets (H6) into the Top (C) as shown.

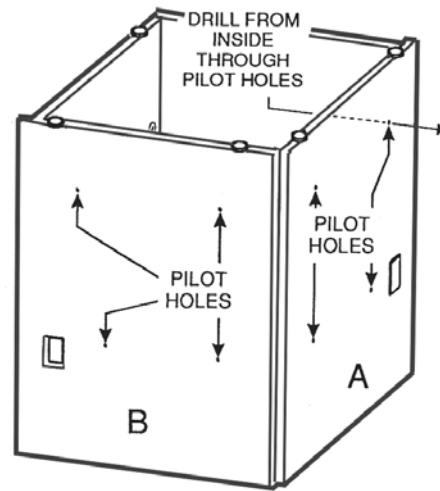
**Your Glacier Circulation Corner Unit is now assembled and ready for us.**



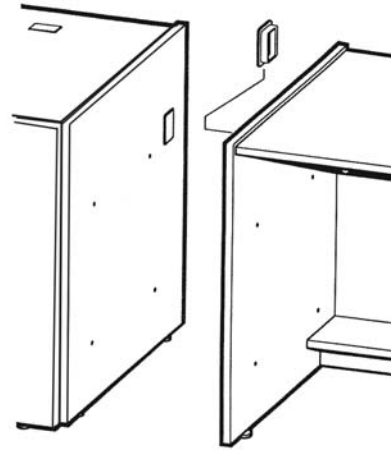
## CONNECTING TO OTHER CIRCULATION DESK UNITS

**A.** With the assistance of another person, turn the unit onto its top on a clean, carpeted surface. Using an electric drill with a 1/8" bit, carefully drill through pilot holes on the inside surface of the panel to be attached.

**NOTE:** Do not drill through panel unless attaching another unit!

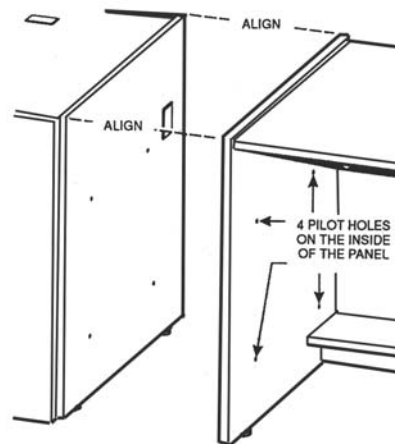


**B.** With the assistance of another person, turn the unit upright. Remove Grommet from the panels to be connected.



**C.** Using a 13/64" bit, drill through the four pilot holes on the inside of side panel of the unit to be attached.

Align the side panels of the units to be connected. Adjust the levelers of both units until the side panels are aligned and at the same height.



**D.** Secure the units together using four 1-3/4" Washerhead Screws (H7) through the holes of attaching side panel and into the pilot holes of the corner unit.

