

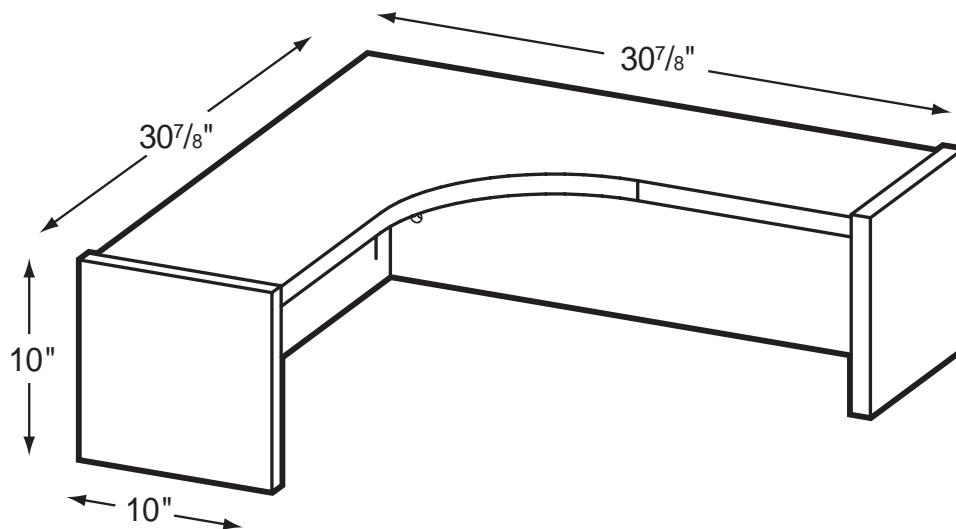


IRONWOOD
MANUFACTURING

GLACIER
LIBRARY FURNITURE

CDCCR

Corner Riser



Product Specs

- 1" thermal fused laminate sides and top
- 3/4" thermal fused laminate modesties
- Cam and post construction
- Matched edge banding

0208