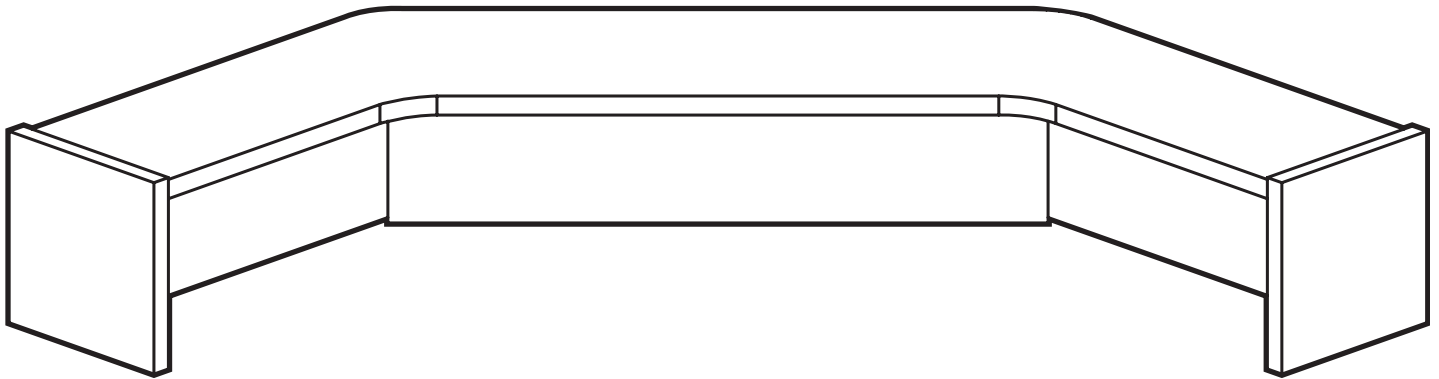




BY  IRONWOOD

CDCUR CDCRR

RISER UNIT



IMPORTANT!

Assembly may require the assistance of another person.

Before you begin assembly:

READ THE DIRECTIONS all the way through one time. This will speed up the process and help you understand the sequence of steps.

COUNT THE PARTS AND HARDWARE before assembly. This ensures you have received all necessary parts before you begin.

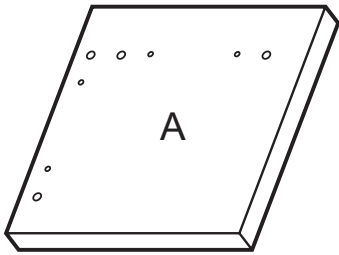
TOOLS: You may need a Phillips head screwdriver, a medium slotted screwdriver or a plastic mallet. To protect your new furniture from damage during assembly, it is recommended to work on a carpeted surface.

In the event any parts are missing from this package, send your name, address, telephone number, and a description of the missing part(s) to: PARTS, Box 1420, Missoula, MT 59806 or call: 1-800-769-5693 or FAX 1-800-445-5281.

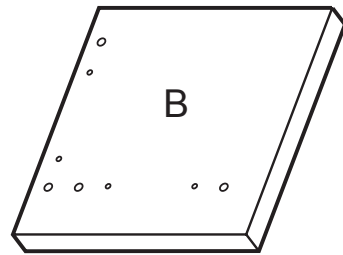
CAUTION: On assemblies requiring glue, make sure the unit is assembled correctly before gluing. Once this unit is assembled with glue, the manufacturer will not be responsible for damaged parts. Keep a damp cloth or sponge handy to wipe off excess glue.

To care for this furniture, simply wipe with a cloth dampened with glass cleaner containing ammonia-D.

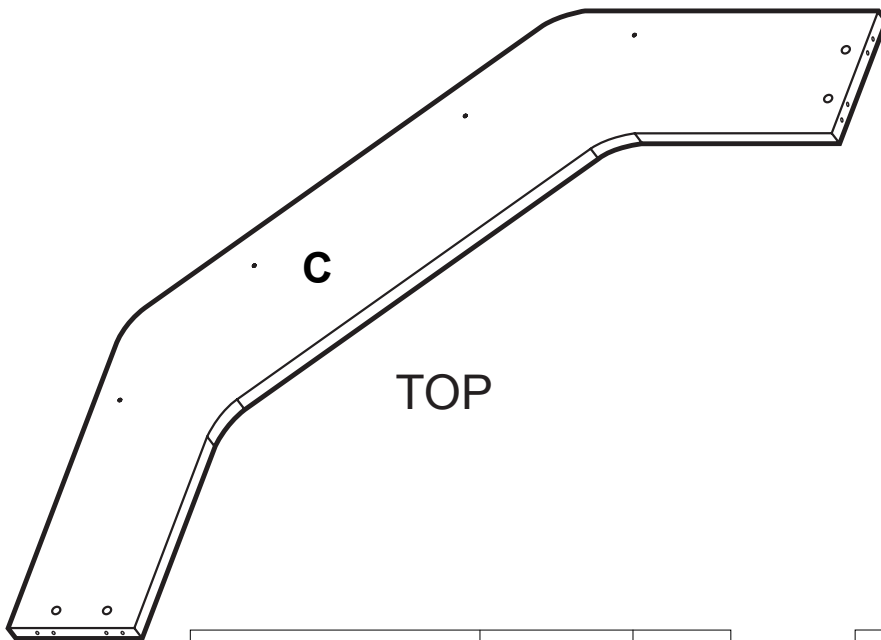
PARTS DIAGRAM



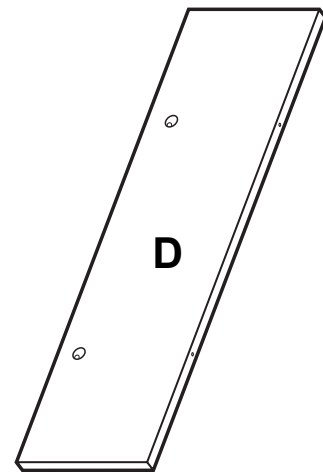
Left Side	01011642	1 ea.
-----------	----------	-------



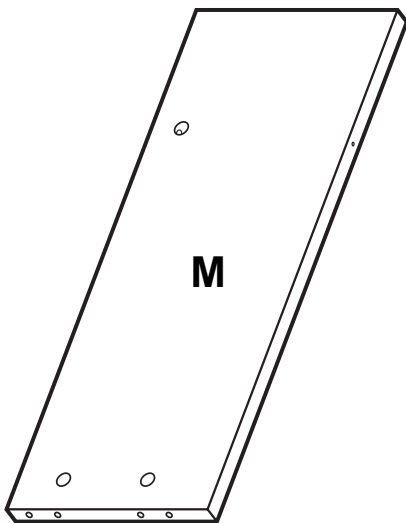
Right Side	01011643	1 ea.
------------	----------	-------



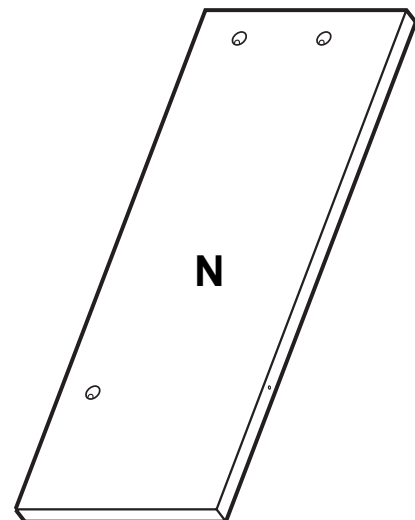
Top CDCUR	01050801	1 ea.
Top CDCRR	01050501	1 ea.



Back CDCUR	01050852	1 ea.
Back CDCRR	01050552	1 ea.



Left Back CDCUR	01050854	1 ea.
Left Back CDCRR	01050554	1 ea.



Right Back CDCUR	01050854	1 ea.
Right Back CDCRR	01050554	1 ea.

HARDWARE



H1	Minifix Cam	909810	12 ea.
----	-------------	--------	--------



H2	Minifix Bolt	909834	12 ea.
----	--------------	--------	--------



H3	Dowel	195000	8 ea.
----	-------	--------	-------

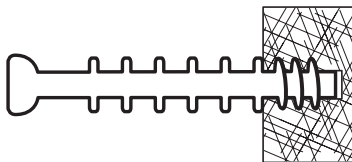


H4	Connector Screw	950100	4 ea.
----	-----------------	--------	-------

Using the Minifix System:

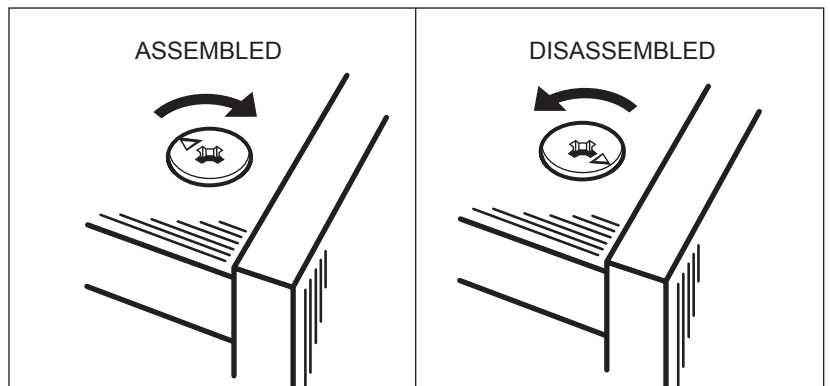
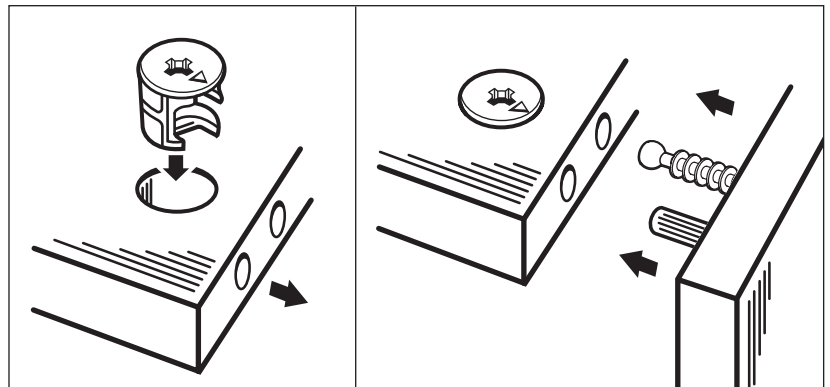
Insert the Minifix Cams into the appropriate holes with the arrow facing outwards as shown.

When screwing post into hole, **Do Not** over tighten. Screw post down until bottom face of post flange just touches board surface.



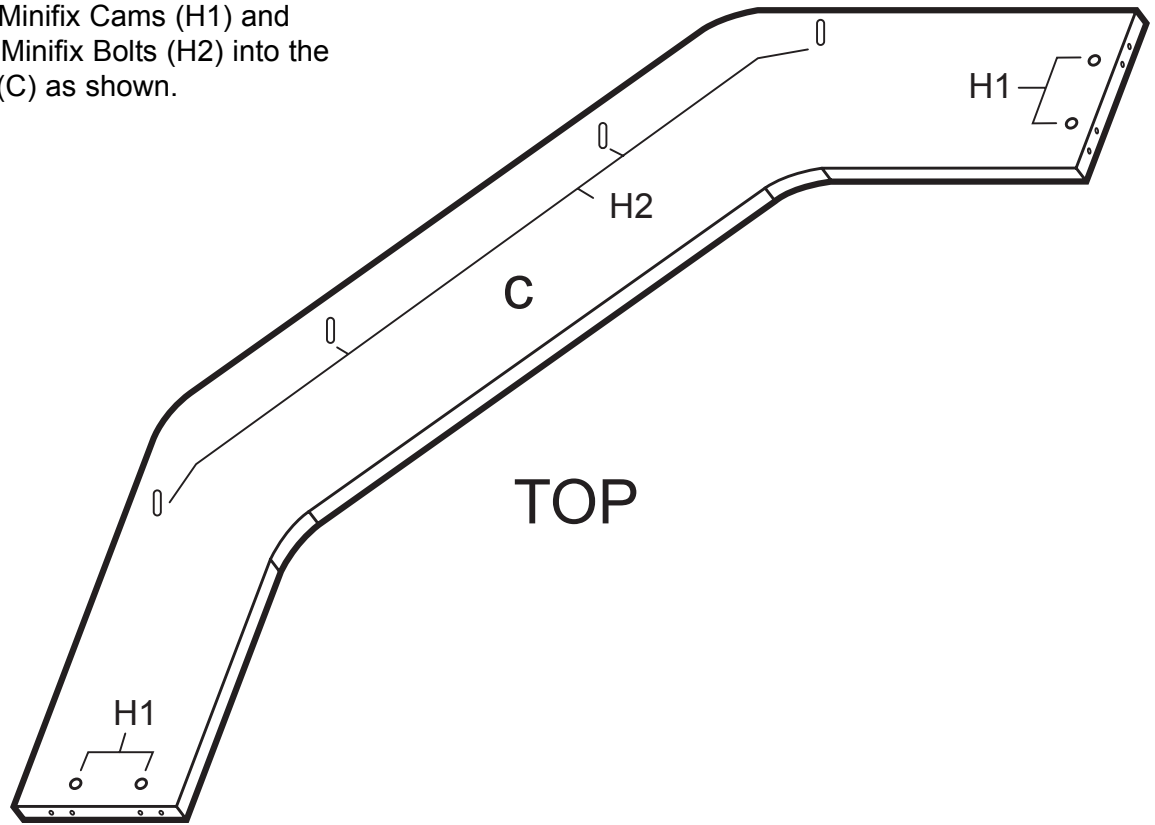
Using the #2 Phillips screwdriver, rotate the Cam Devices a half turn clockwise until snug.

To disassemble, turn the Cam Devices counter-clockwise and remove panels.



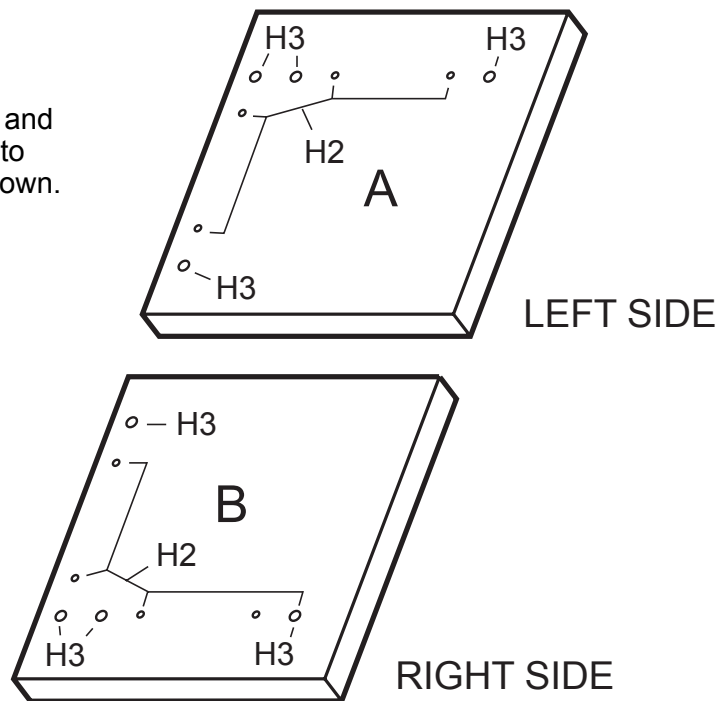
#1

Insert four Minifix Cams (H1) and screw four Minifix Bolts (H2) into the Top Panel (C) as shown.



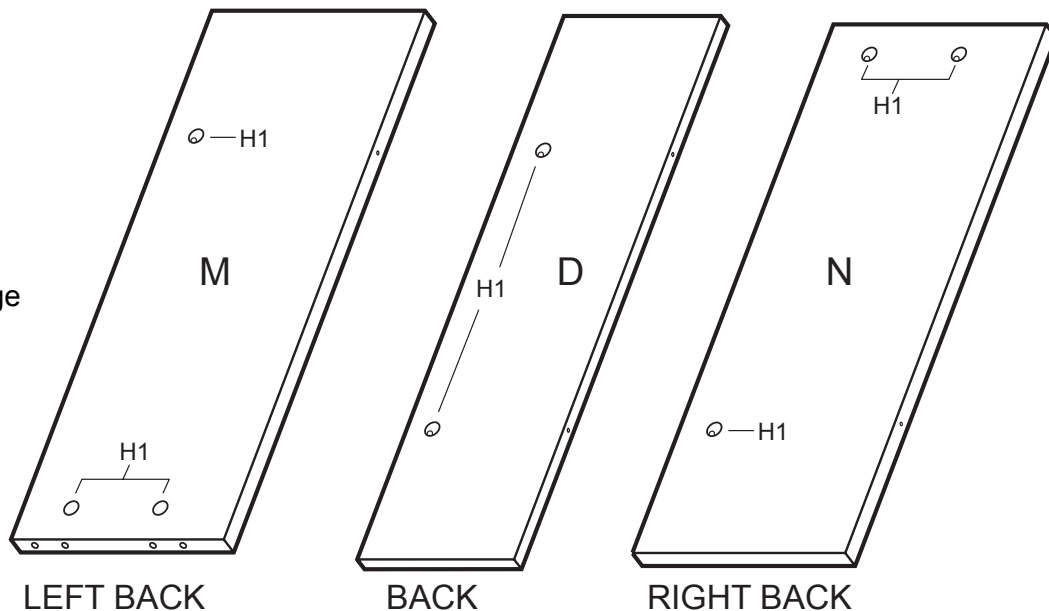
#2

Tap in four Wood Dowels (H3) and screw four Minifix Bolts (H2) into each Side Panel (A & B) as shown.



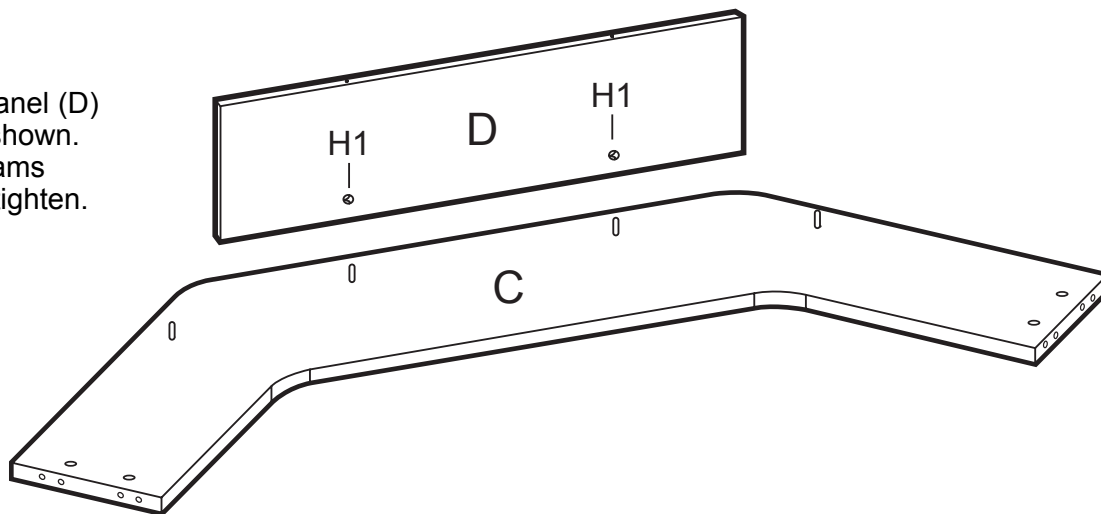
#3

Insert Minifix Cams (H1) into each Back Panel (M,N,D) as shown, making sure the arrow faces out toward the edge of the panel.



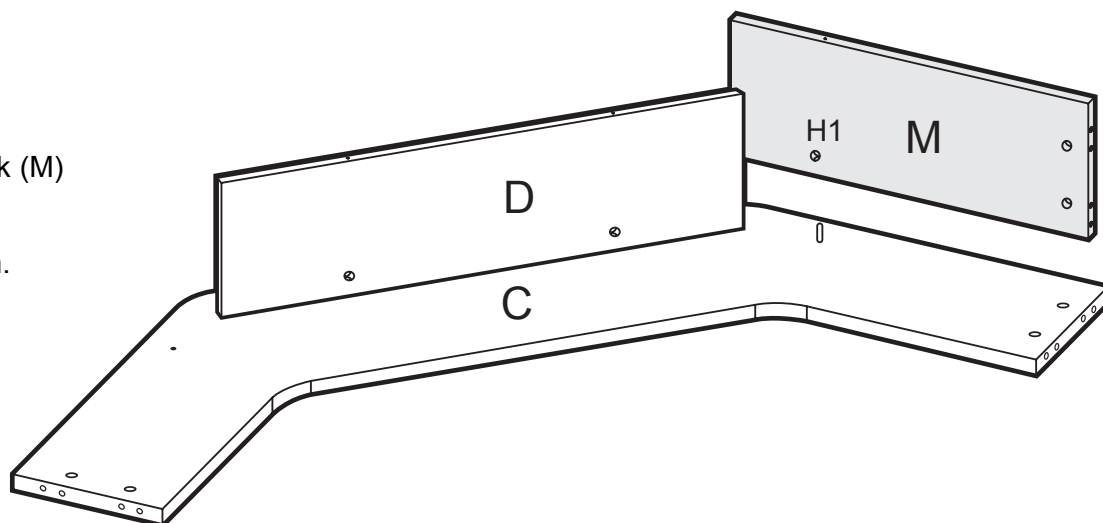
#4

Attach the Back Panel (D) to the Top (C) as shown. Turn the Minifix Cams (H1) clockwise to tighten.



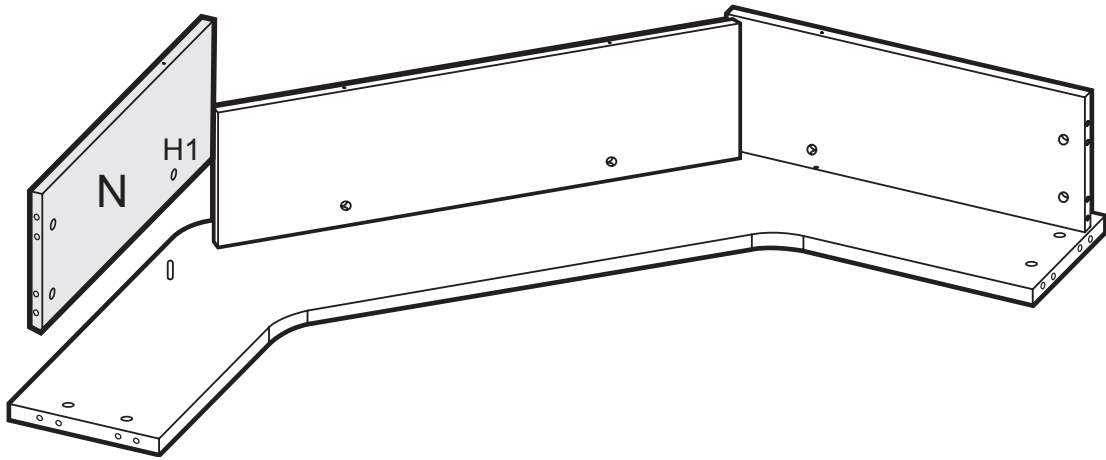
#5

Attach the Left Back (M) as shown. Turn the Minifix Cam (H1) clockwise to tighten.



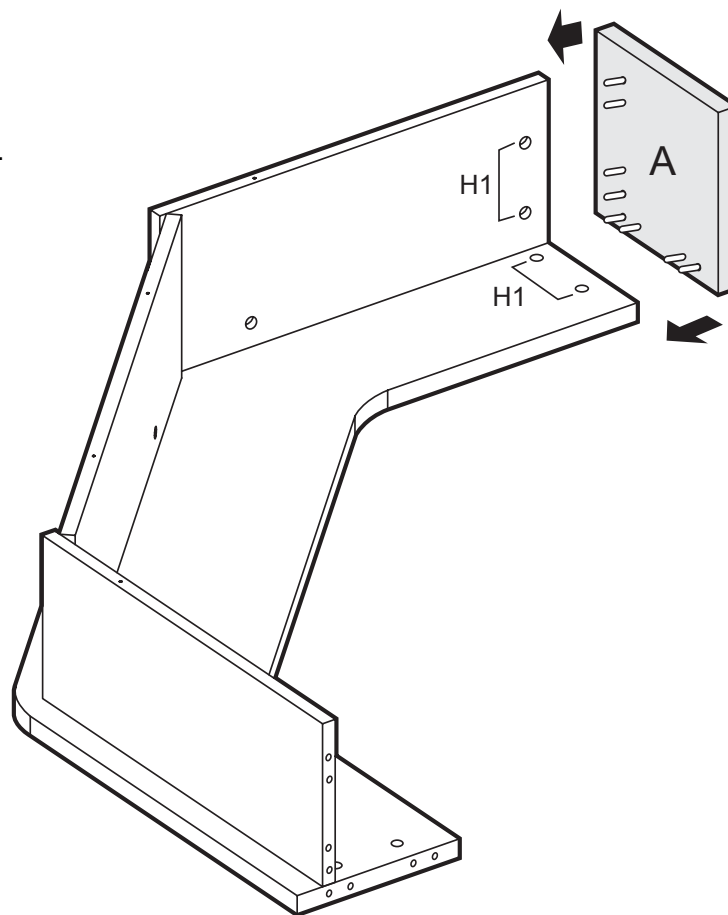
#6

Attach the Right Back (N) as shown. Turn the Minifix Cam (H1) clockwise to tighten.



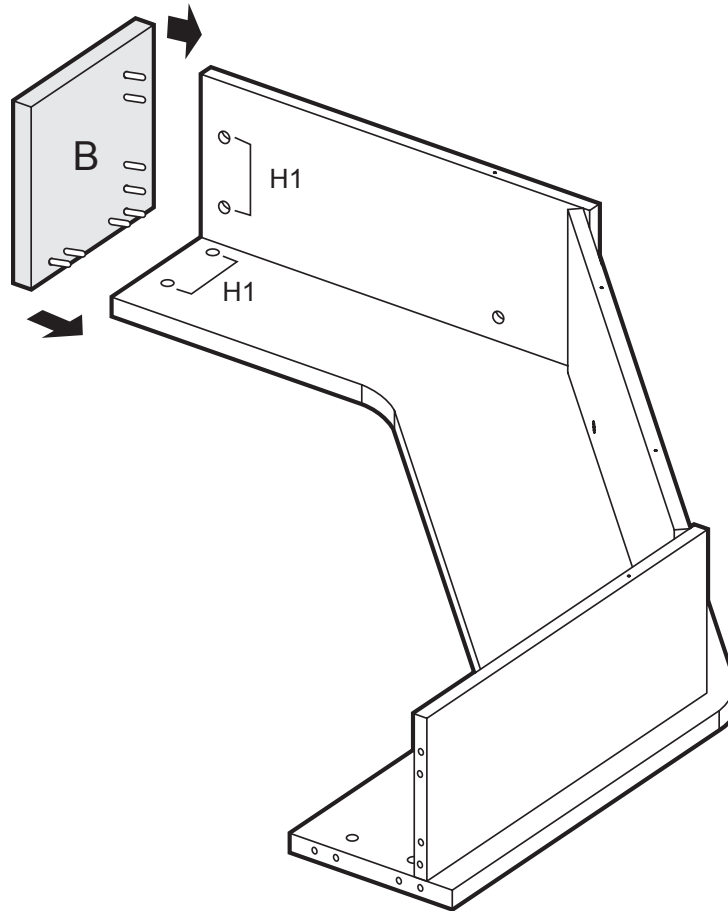
#7

Attach the Left Side as shown.
Turn the Minifix Cams (H1)
clockwise to tighten.



#8

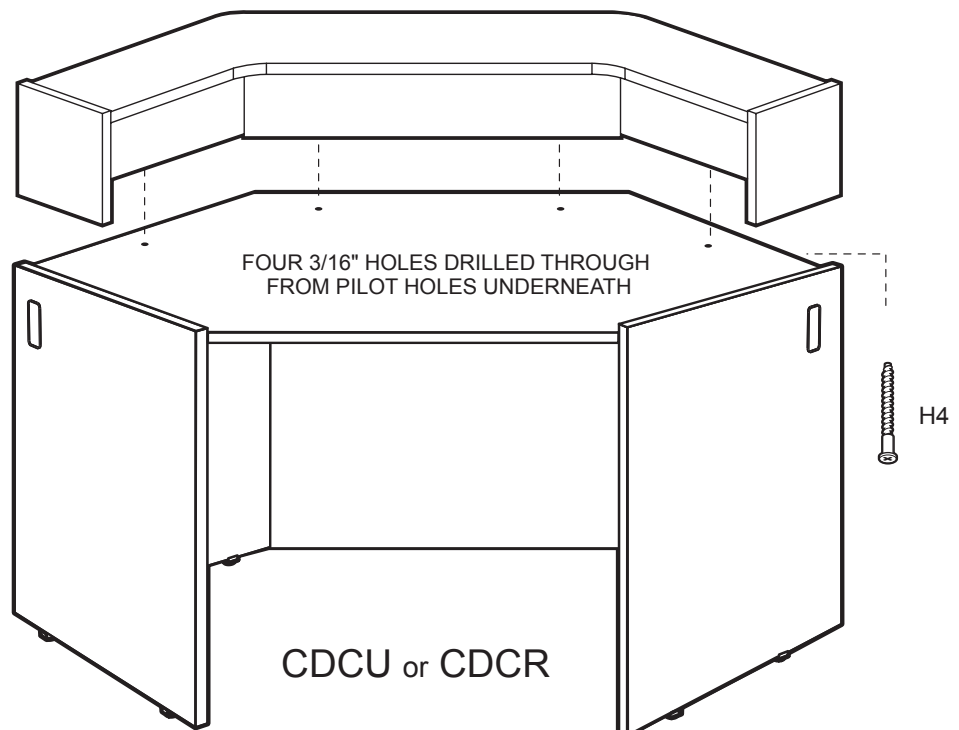
Attach the Right Side (B) as shown. Turn the Minifix Cams (H1) clockwise to tighten.



#9

ATTACHING THE UNIT TO THE DESKTOP:

Drill four holes thru the desk top of the CDCU or CDCR as shown. Turn the riser unit upright and attach to the desktop using four Confirmat Screws (H4) as shown.



The installation of your Glacier Corner Riser unit is now complete and ready to use.