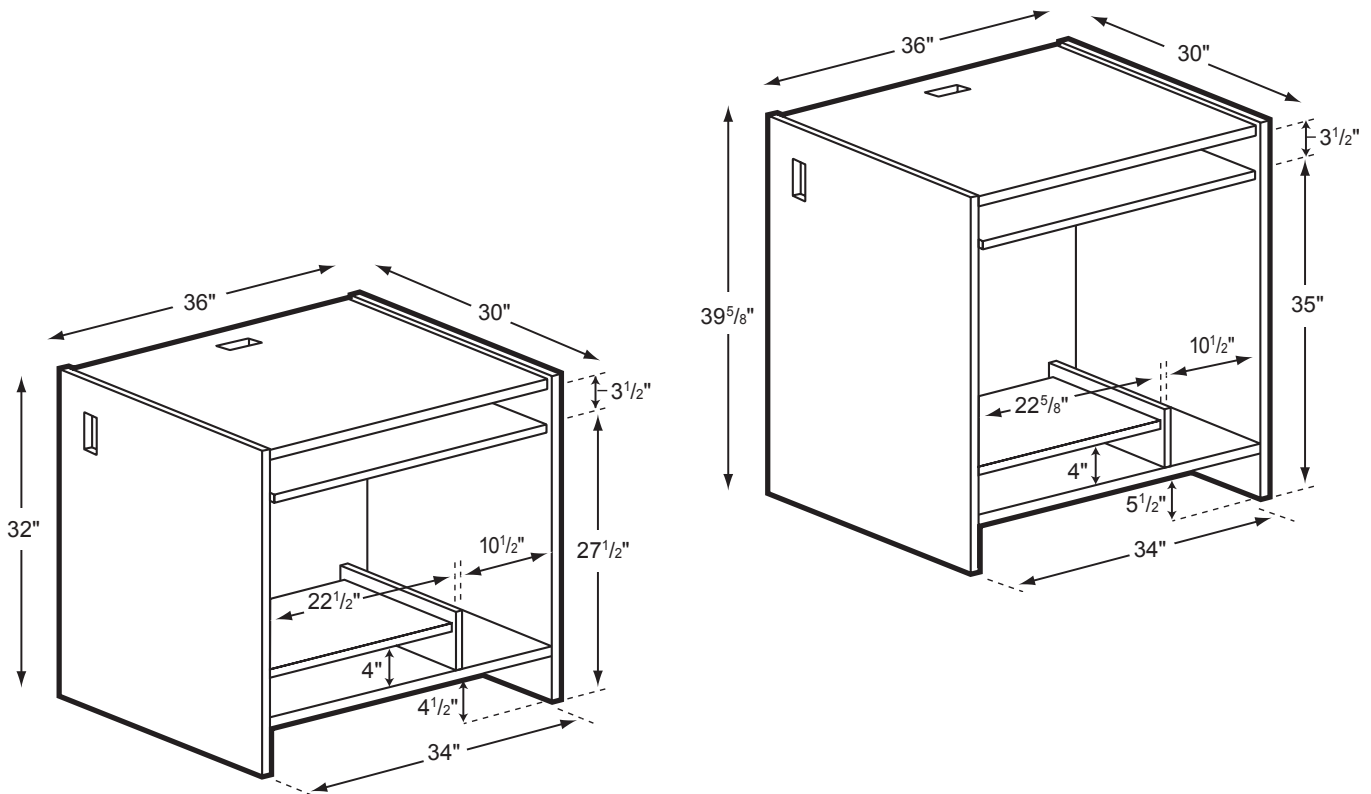


CDTW32-39

Tower Work Station



Product Specs

- 1" thermal fused laminate sides and top
- 3/4" thermal fused laminate back, shelves and kick
- Cam and post construction
- Matched edge banding
- Pull-out keyboard on full extension steel slide
- Pull-out Printer shelf on full extension steel slide
- Fixed CPU storage shelf
- Four - 2"x 4" grommets with covers
- Wire management tray
- Adjustable leveling glides