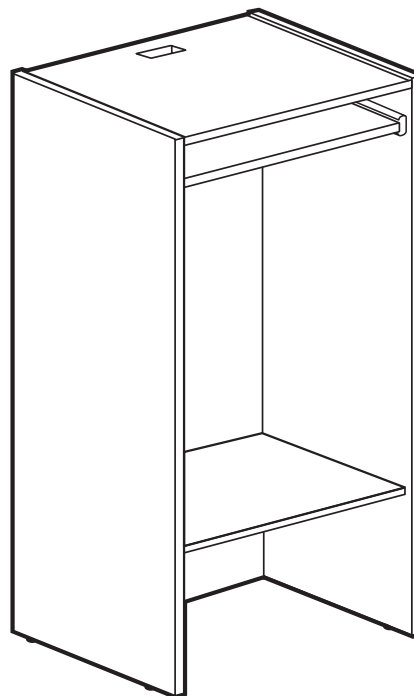
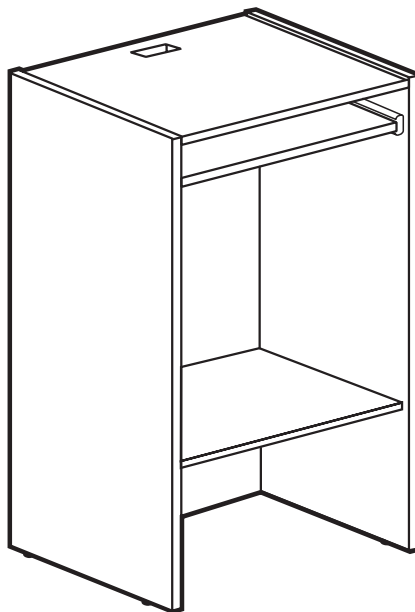




BY  IRONWOOD

# ECW32/39

## COMPUTER WORKSTATION



### IMPORTANT!

Assembly may require the assistance of another person.

Before you begin assembly:

**READ THE DIRECTIONS** all the way through one time. This will speed up the process and help you understand the sequence of steps.

**COUNT THE PARTS AND HARDWARE** before assembly. This ensures you have received all necessary parts before you begin.

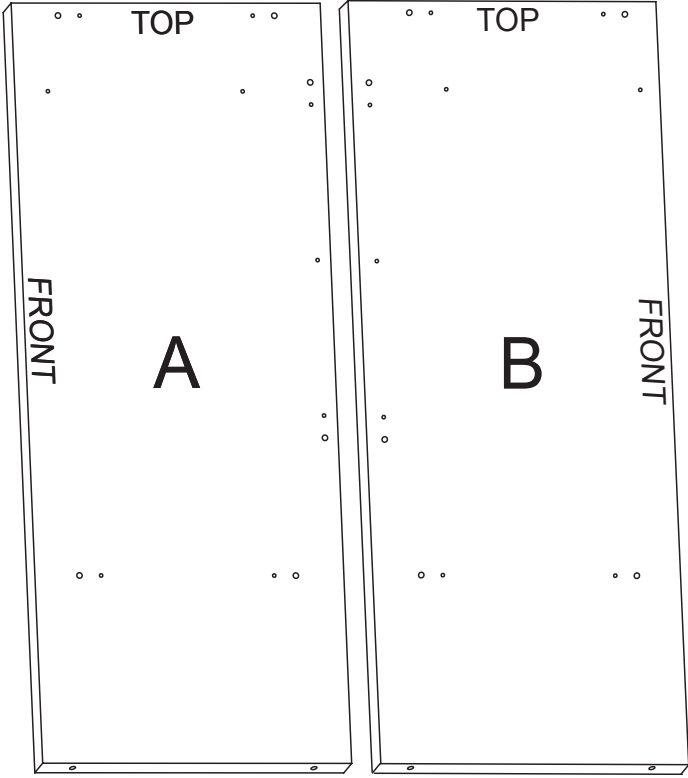
**TOOLS:** You may need a Phillips head screwdriver, a medium slotted screwdriver or a plastic mallet. To protect your new furniture from damage during assembly, it is recommended to work on a carpeted surface.

In the event any parts are missing from this package, send your name, address, telephone number, and a description of the missing part(s) to: PARTS, Box 1420, Missoula, MT 59806 or call: 1-800-769-5693 or FAX 1-800-445-5281.

**CAUTION:** On assemblies requiring glue, make sure the unit is assembled correctly before gluing. Once this unit is assembled with glue, the manufacturer will not be responsible for damaged parts. Keep a damp cloth or sponge handy to wipe off excess glue.

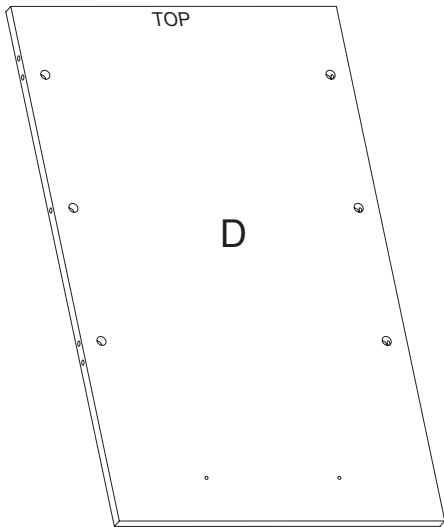
To care for this furniture, simply wipe with a cloth dampened with glass cleaner containing ammonia-D.

# PARTS DIAGRAM

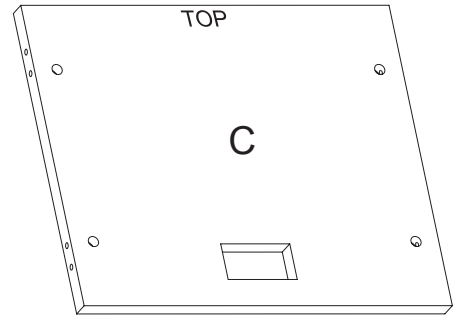


Left Side - ECW32	01070341	1 ea.
Left Side - ECW39	01070441	1 ea.

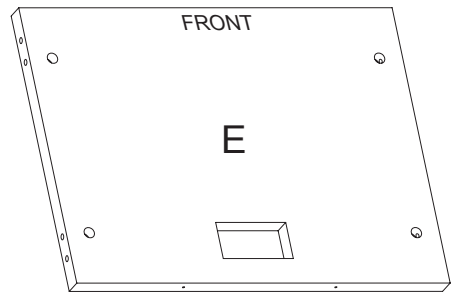
Right Side - ECW32	01070341	1 ea.
Right Side - ECW39	01070441	1 ea.



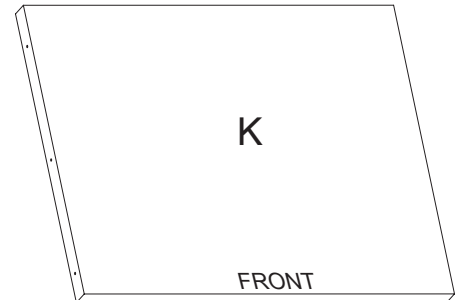
Back - ECW32	01070352	1 ea.
Back - ECW39	01070452	1 ea.



Top	01070301	1 ea.
-----	----------	-------



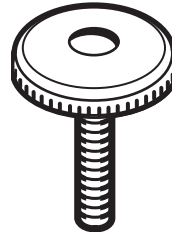
Fixed Shelf	01070328	1 ea.
-------------	----------	-------



Keyboard Shelf - EC32	01070328	1 ea.
-----------------------	----------	-------



H1	Leveler Insert	274650	4 ea.
----	----------------	--------	-------



H2	Leveler	300870	4 ea.
----	---------	--------	-------



H3	Minifix Bolt	909834	14 ea.
----	--------------	--------	--------



H4	Wood Dowel	195000	12 ea.
----	------------	--------	--------



H5	Varianta Screw	988060	4 ea.
----	----------------	--------	-------



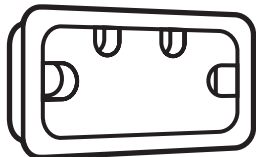
H6	Minifix Cam	909810	14 ea.
----	-------------	--------	--------



H7	Confirmat Screw	950100	2 ea.
----	-----------------	--------	-------



H8	#8 x 5/8" Panhead Screw	988056	6 ea.
----	----------------------------	--------	-------



H9	Grommet	286580	2 ea.
----	---------	--------	-------

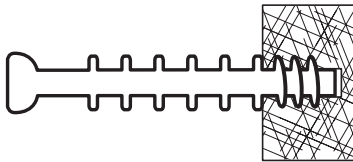


S	Full Extension Slide	490420	1 pr.
---	-------------------------	--------	-------

### Using the Minifix System:

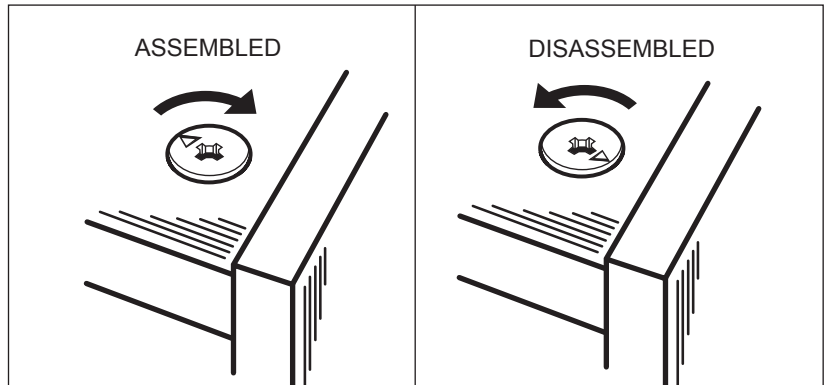
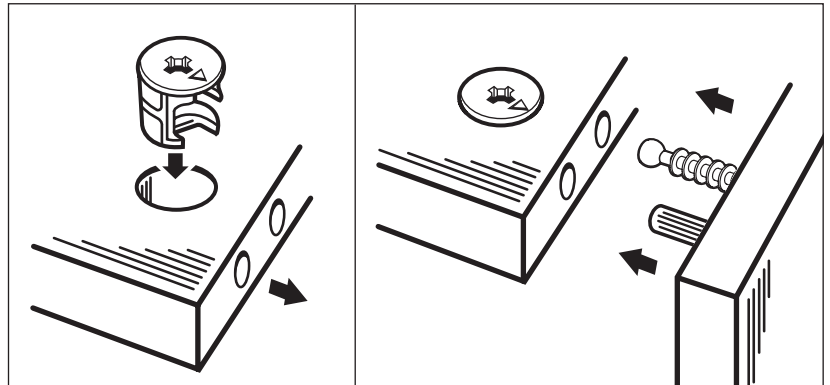
Insert the Minifix Cams into the appropriate holes with the arrow facing outwards as shown.

When screwing post into hole, **Do Not** over tighten. Screw post down until bottom face of post flange just touches board surface.



Using the #2 Phillips screwdriver, rotate the Cam Devices a half turn clockwise until snug.

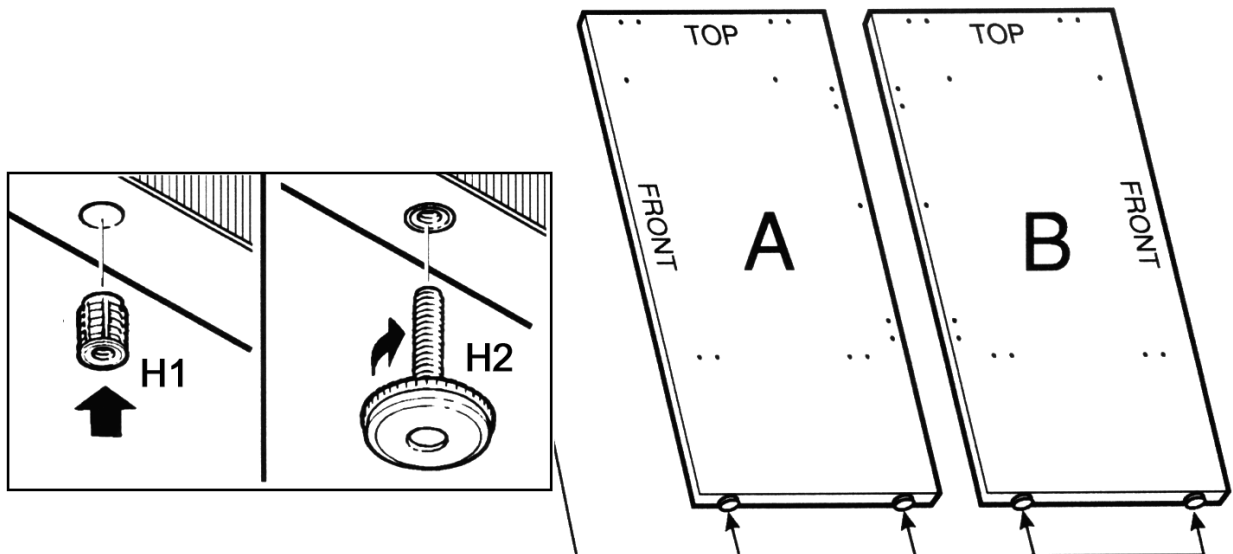
To disassemble, turn the Cam Devices counter-clockwise and remove panels.



## #1

Place the Left Side (A) and the Right Side (B) on a clean, carpeted surface as shown. Install Glide Inserts (H1) into the bottom holes of the Left Side and Right Side and tap until flush with the surface. Screw the short Glides (H2) into the Glide Inserts.

**Adjust the Short Glides after assembly is complete.**



#2

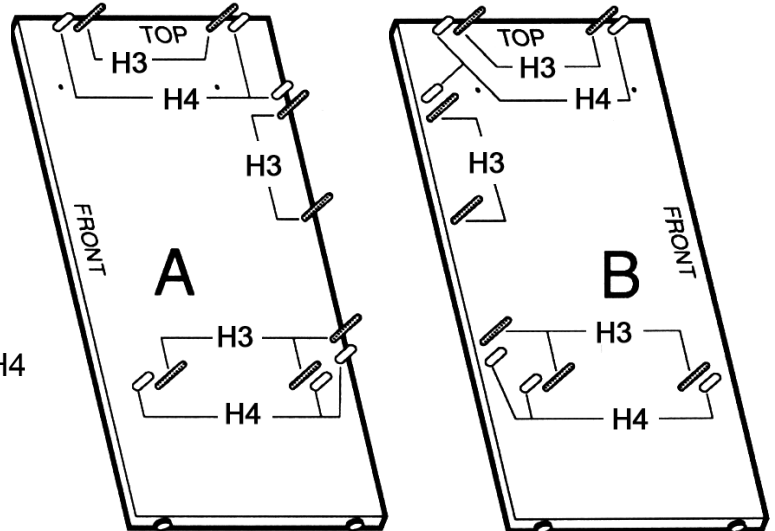
Screw seven Minifix bolts (H3) and insert six Wood Dowels (H4) into the Side Panels (A and B) where indicated.



H3



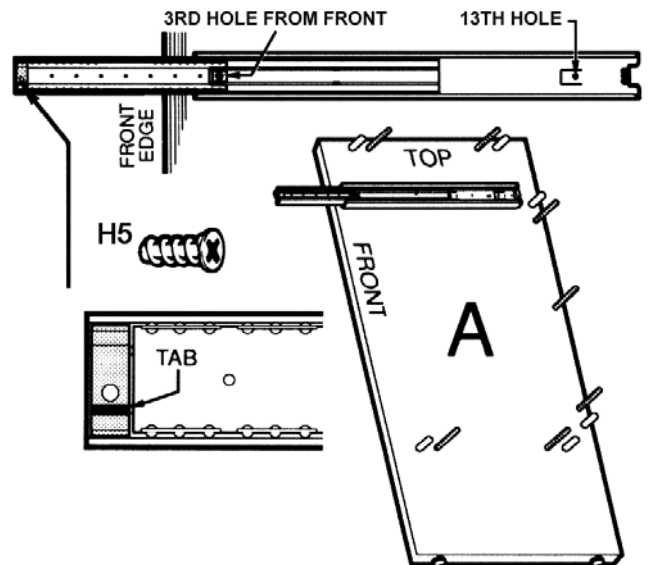
H4



#3

Attach a Full Extension Slide (S) to the Left Side (A) using two Varianta Screws (H5) as shown.

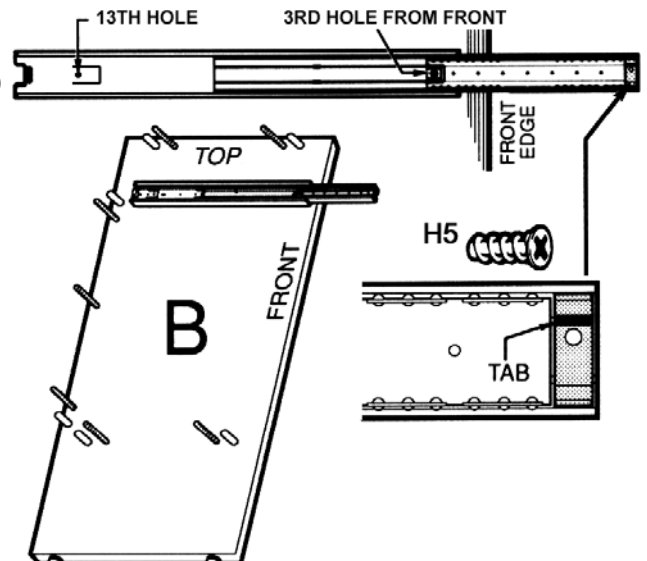
*It will be necessary to slide the sliding portion forward to access the 2nd hole.*



#4

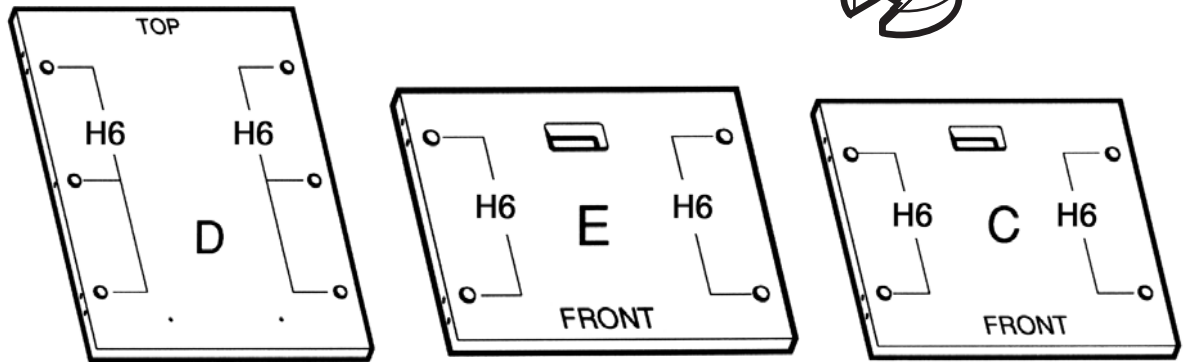
Attach a Full Extension Slide (S) to Right Side (B) using two Varianta Screws (H5) as shown.

*It will be necessary to slide the sliding portion forward to access the 2nd hole.*

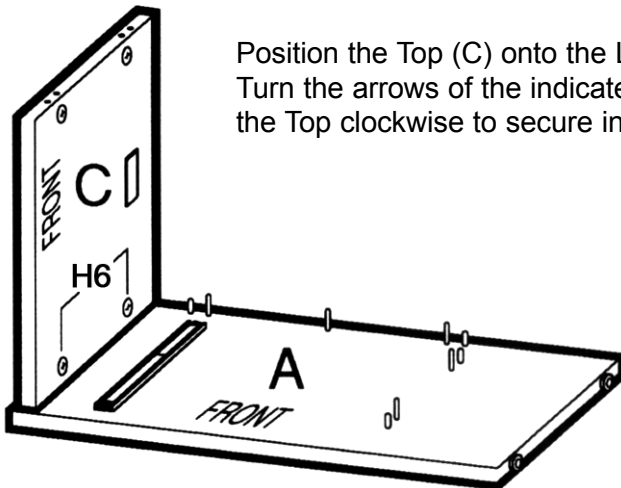


**#5**

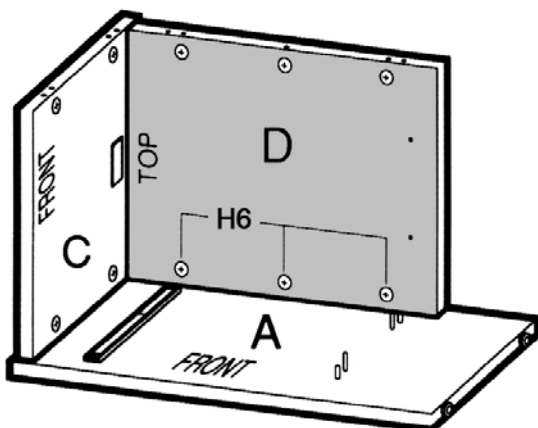
Place the Back (D), Fixed Shelf (E), and Top (C) as shown. Insert fourteen Minifix Cams (H6) into the holes where indicated with the arrows of the cams facing out.

**#6**

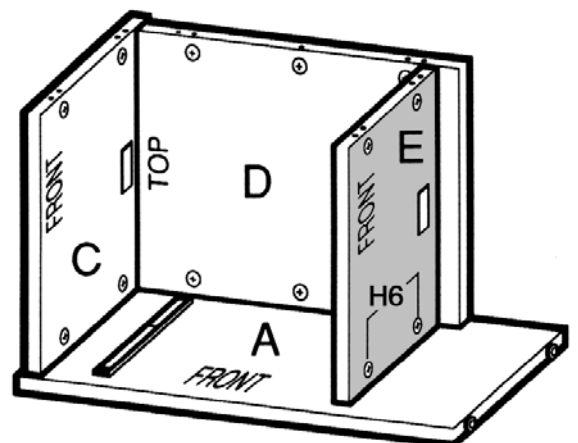
Position the Top (C) onto the Left Side (A) as shown. Turn the arrows of the indicated Minifix Cams (H6) of the Top clockwise to secure in place.

**#7**

Position the Back (D) onto the Left Side (A) as shown. Turn the arrows of the indicated Minifix Cams (H6) of the Back clockwise to secure in place.

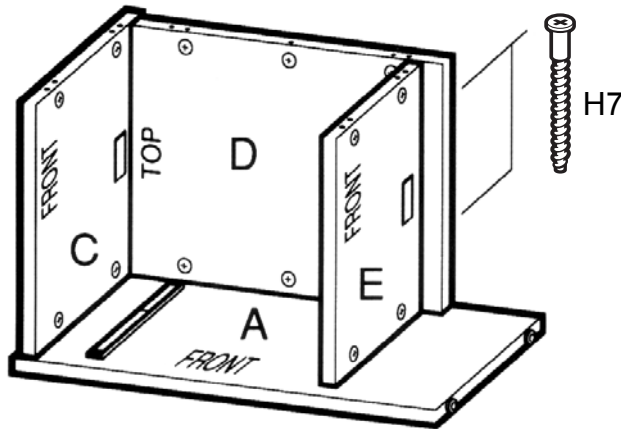
**#8**

Position the Fixed Shelf (E) onto the unit as shown. Turn the arrows of the cams (H6) of the Fixed Shelf (E) clockwise to secure in place.

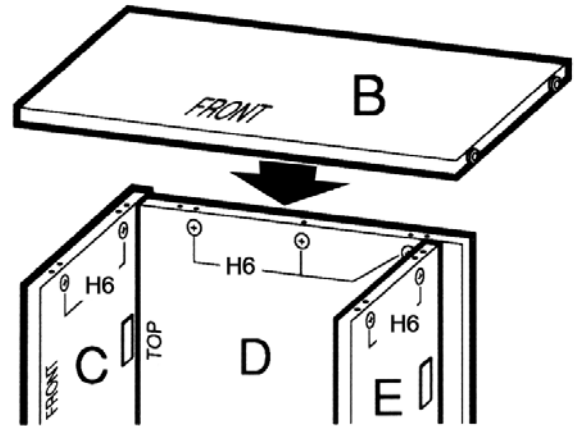


**#9**

Secure the Fixed Shelf (E) to the Back (D) using two Confirmat Screws (H7) as shown.

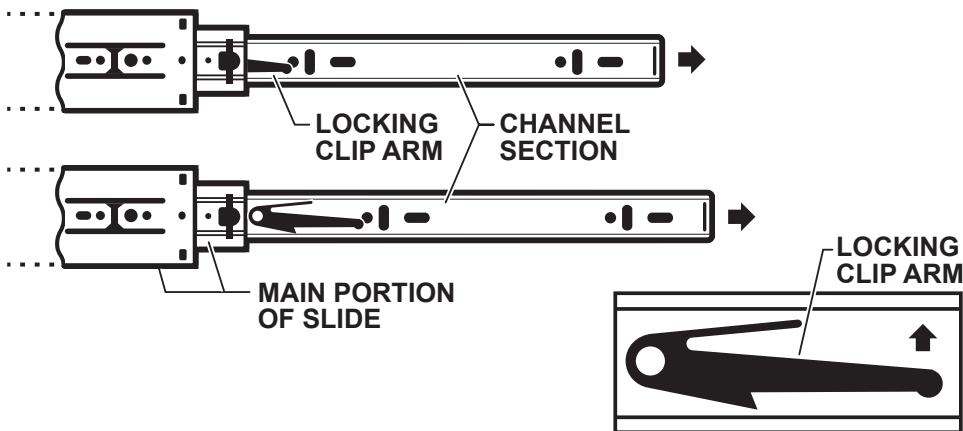
**#10**

Position the Right Side (B) onto the assembly as shown and turn the cams of the Top (C), Back (D), and the Fixed Shelf (E) clockwise to secure in place.

**#11**

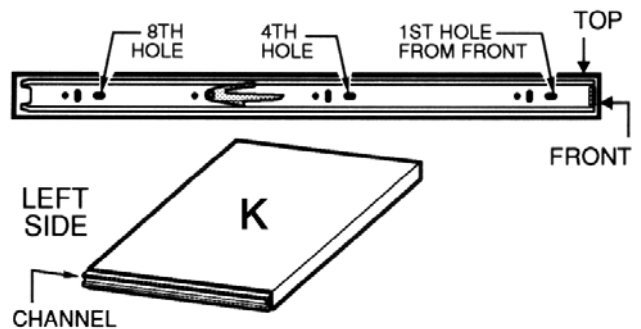
Remove the Slider Channel Section from the Slide Rail which was attached to the Left and Right Side panels in Steps 3 and 4:

1. extend the slide completely,
2. push the arm of the locking clip up and
3. pull the channel section forward until disconnected as shown.

**#12**

Attach the Slider Channel portion of the Full Extension Slide (S) to the left side of the Keyboard Shelf (K) using #8 x 5/8" Panhead Screws (H8) as shown.

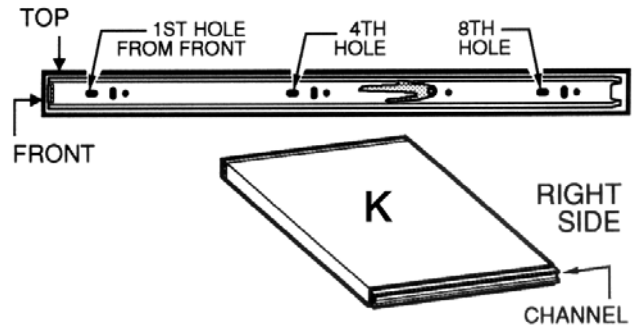
Be sure that the long arm of the locking clip points toward the front of the Keyboard Shelf (and is on the bottom).



**#13**

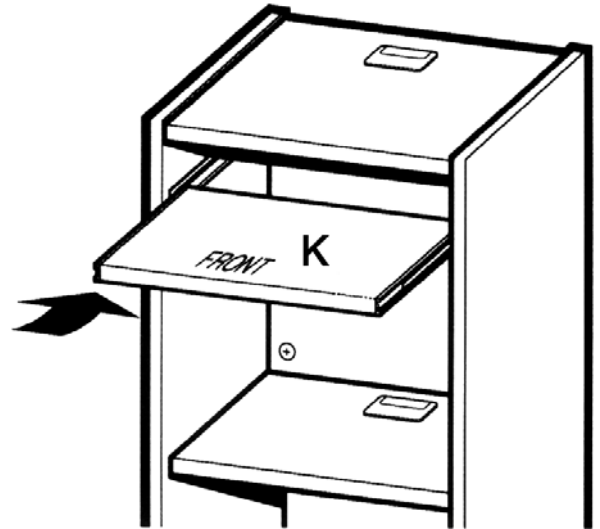
Attach the remaining Slider Channel portion of the Full Extension Slide (S) to the right side of the Keyboard Shelf (K) using #8 x 5/8" Panhead Screws (H8) as shown.

Be sure that the long arm of the locking clip points toward the front of the Keyboard Shelf (and is on the top).



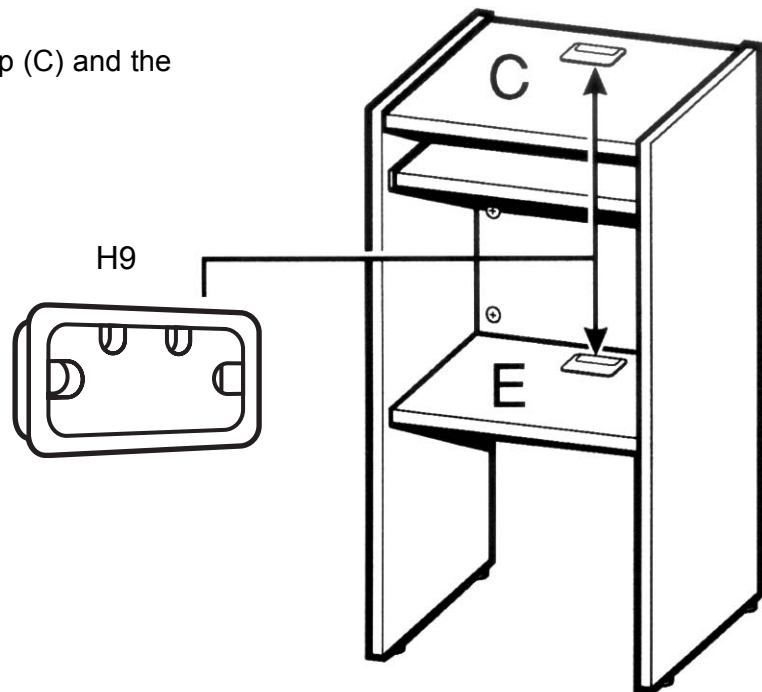
**#14**

Extend the cabinet portions of the Full Extension Slides (S) completely out. Slide the channels of the Keyboard Shelf (K) onto the slides of the cabinet as shown until secured by the locking clips.



**#15**

Insert Grommets (H9) into the Top (C) and the Fixed Shelf (E) as shown.



**Your ECW Computer Workstation is now fully assembled and ready for use.**