

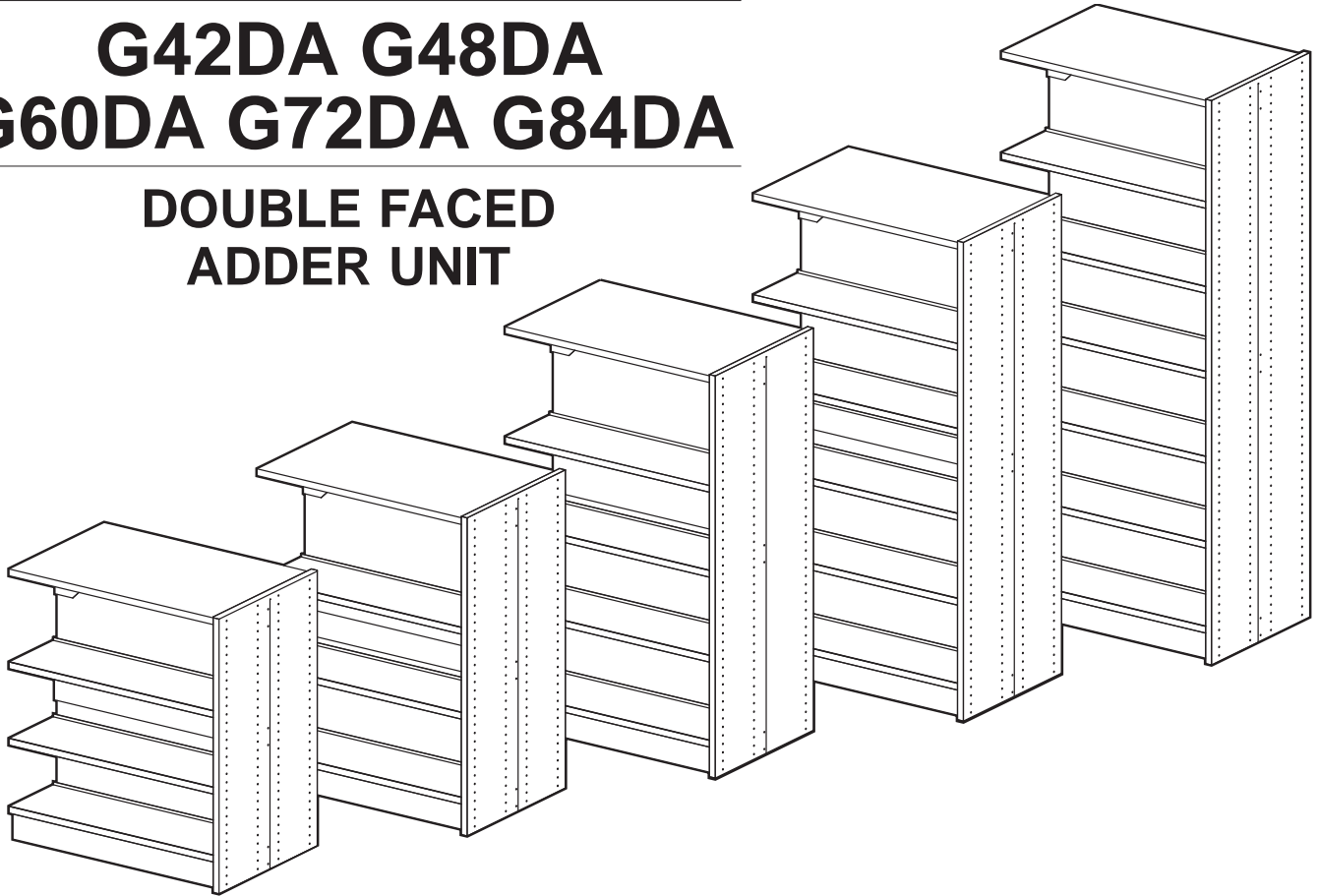


BY  **IRONWOOD**

GLACIER ALPINE / TERRAIN LIBRARY SHELVING UNIT

**G42DA G48DA
G60DA G72DA G84DA**

**DOUBLE FACED
ADDER UNIT**



IMPORTANT!

Assembly may require the assistance of another person.

Before you begin assembly:

READ THE DIRECTIONS all the way through one time. This will speed up the process and help you understand the sequence of steps.

COUNT THE PARTS AND HARDWARE before assembly. This ensures you have received all necessary parts before you begin.

TOOLS: You may need a Phillips head screwdriver, a medium slotted screwdriver or a plastic mallet. To protect your new furniture from damage during assembly, it is recommended to work on a carpeted surface.

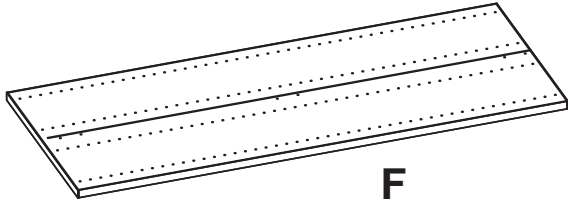
In the event any parts are missing from this package, send your name, address, telephone number, and a description of the missing part(s) to: **PARTS, Box 1420, Missoula, MT 59806** or call: **1-800-769-5693** or **FAX 1-800-445-5281**.

CAUTION: On assemblies requiring glue, make sure the unit is assembled correctly before gluing. Once this unit is assembled with glue, the manufacturer will not be responsible for damaged parts. Keep a damp cloth or sponge handy to wipe off excess glue.

To care for this furniture, simply wipe with a cloth dampened with glass cleaner containing ammonia-D.

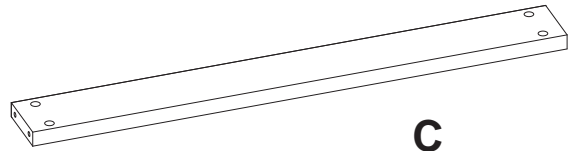
PARTS DIAGRAM

The diagram show one size for ease of viewing. Any differences will be indicated in each part's description.



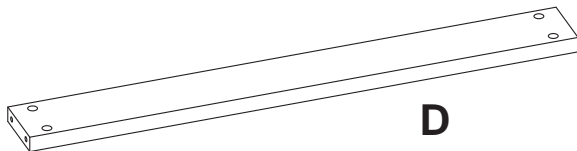
F

Divider Panel	G42DA	01026144	1 ea.
	G48DA	01026344	1 ea.
	GT60DA	01026544	1 ea.
	G72DA	01026744	1 ea.
	G84DA	01026944	1 ea.



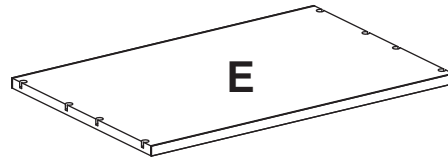
C

Spanner	01026089	2 ea.
---------	----------	-------



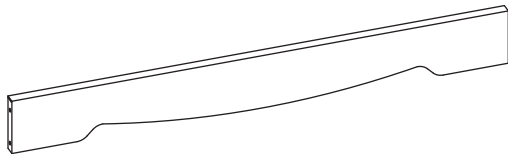
D

Toe Kick	01026072	2 ea.
----------	----------	-------

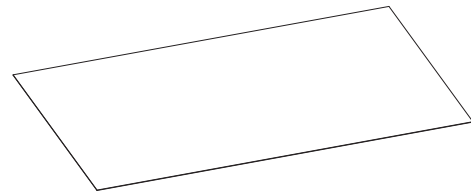


E

Top Panel	01026001	1 ea.
-----------	----------	-------



H1	Metal Spanner	LS-MB	1 ea.
----	---------------	-------	-------



H2	Back Panel	G42-Back	102361/65	.5 ea.
		G48-Back	102358/62	1 ea.
		G60-Back	102359/63	1 ea.
		G72-Back	102360/64	1 ea.
		G84-Back	102361/65	1 ea.

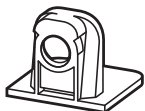
HARDWARE



H3	Minifix Cam	909810	16 ea.
----	-------------	--------	--------



H4	Minifix Bolt	909834	16 ea.
----	--------------	--------	--------



H6	Screw in Tab V	909931	8 ea.
----	----------------	--------	-------



H5	Tab-V Housing	909930	8 ea.
----	---------------	--------	-------



H8	#8 x 5/8" Panhead Screw	988056	2 ea.
----	----------------------------	--------	-------

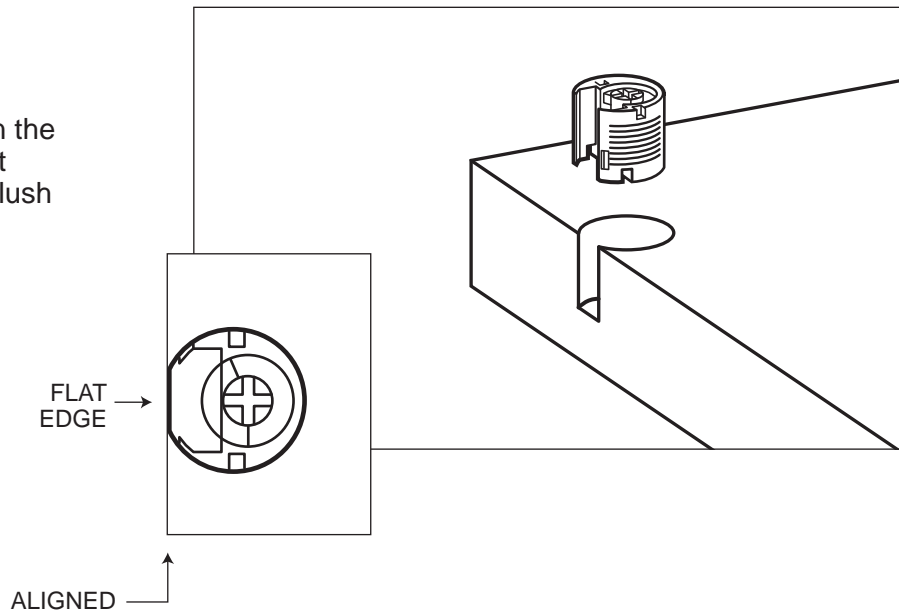


H7	Varianta Screw	988060	12 ea.
----	----------------	--------	--------

USING THE TAB-V SYSTEM:

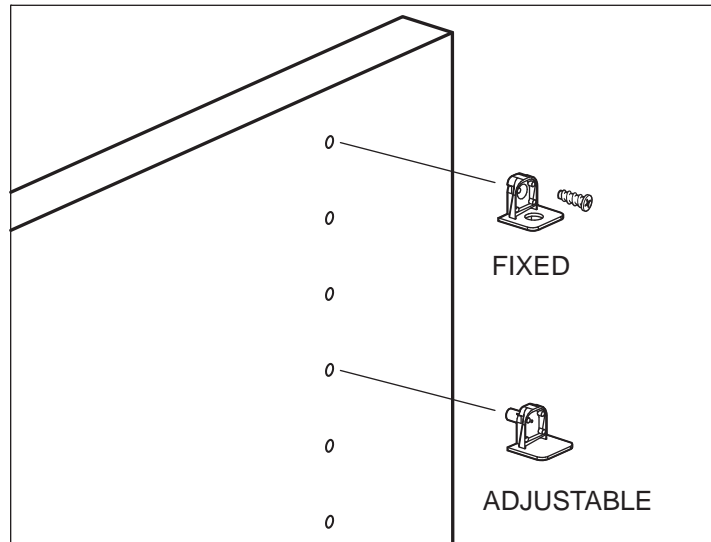
Using a plastic mallet, tap in the plastic housings with the flat edge facing outwards until flush with the surface.

IMPORTANT! The flat edge of the plastic housing must be aligned with the shelf edge. Plastic Housings cannot be repositioned once installed.



For a Fixed Shelf or Top, install the metal flange using a System (Varianta) Screw as shown. **DO NOT** over tighten!

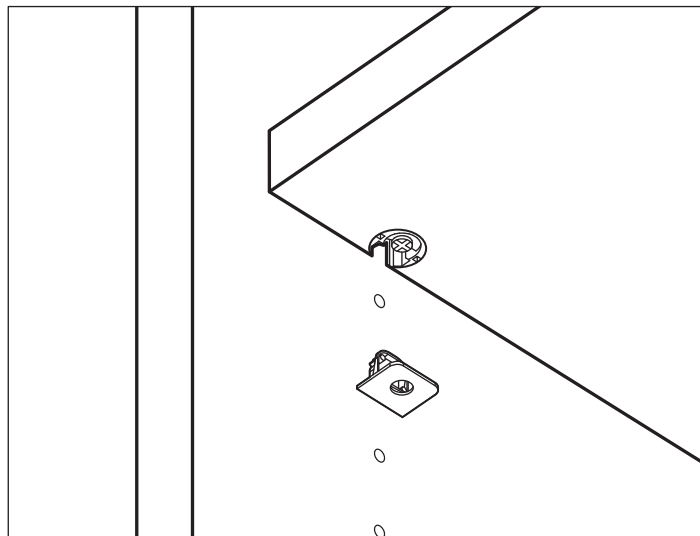
For an Adjustable Shelf, use the Metal Shelf Clip.



Slide the shelf into place over the Metal Flanges and push down until fully seated.

Turn the rotating portion (Cam) 1/2 turn to lock in place.

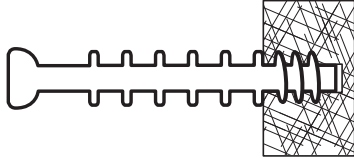
To remove, simply turn the Cam counter clockwise 1/2 turn and lift the shelf off of the Metal Flanges.



Using the Minifix System:

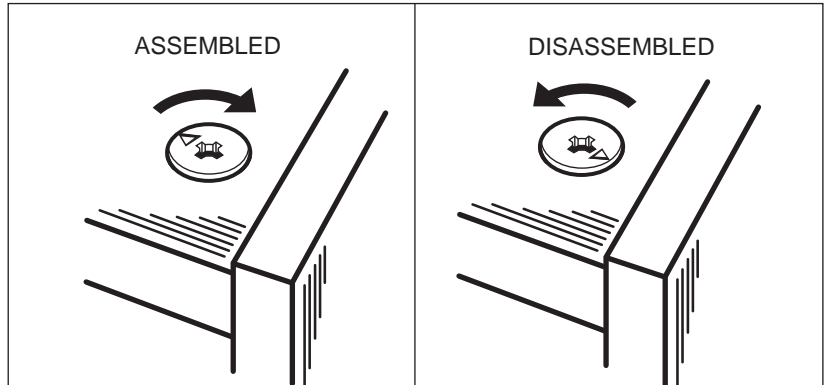
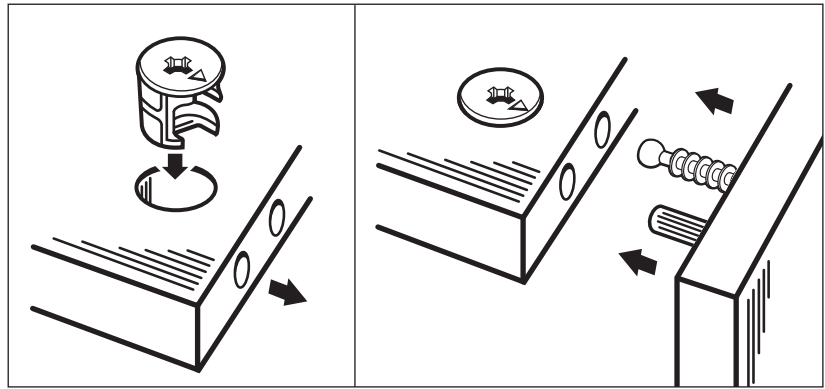
Insert the Minifix Cams into the appropriate holes with the arrow facing outwards as shown.

When screwing post into hole, **Do Not** over tighten. Screw post down until bottom face of post flange just touches board surface.



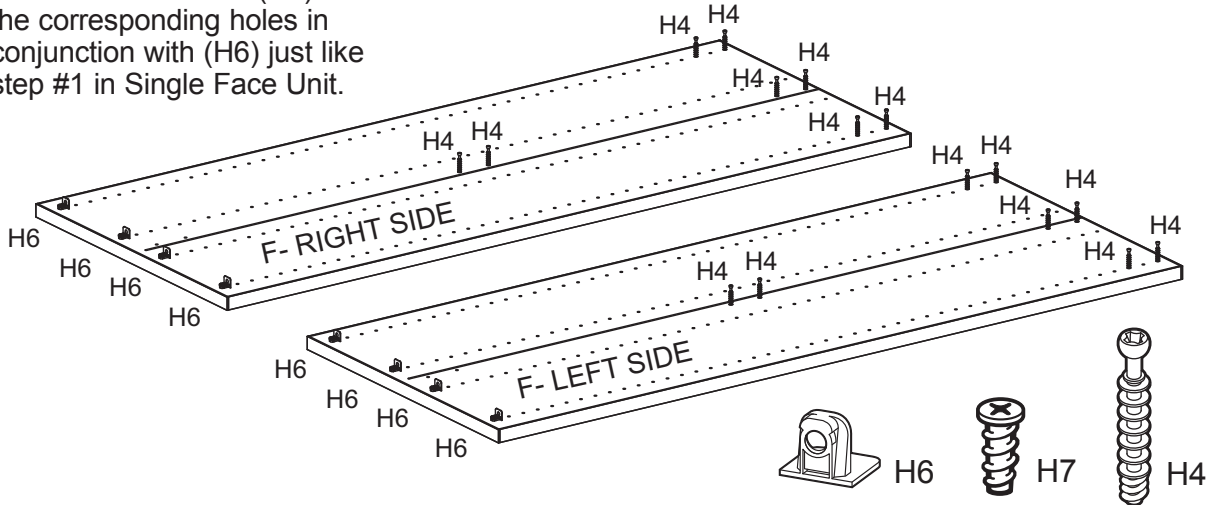
Using the #2 Phillips screwdriver, rotate the Cam Devices a half turn clockwise until snug.

To disassemble, turn the Cam Devices counter-clockwise and remove panels.



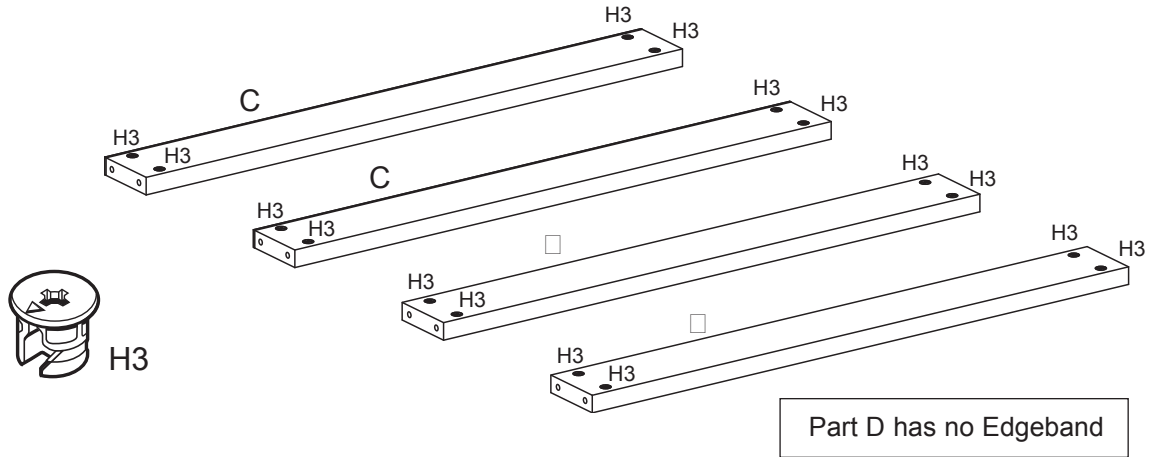
#1

Screw in Minifix Bolt (H4) into the corresponding holes in conjunction with (H6) just like step #1 in Single Face Unit.



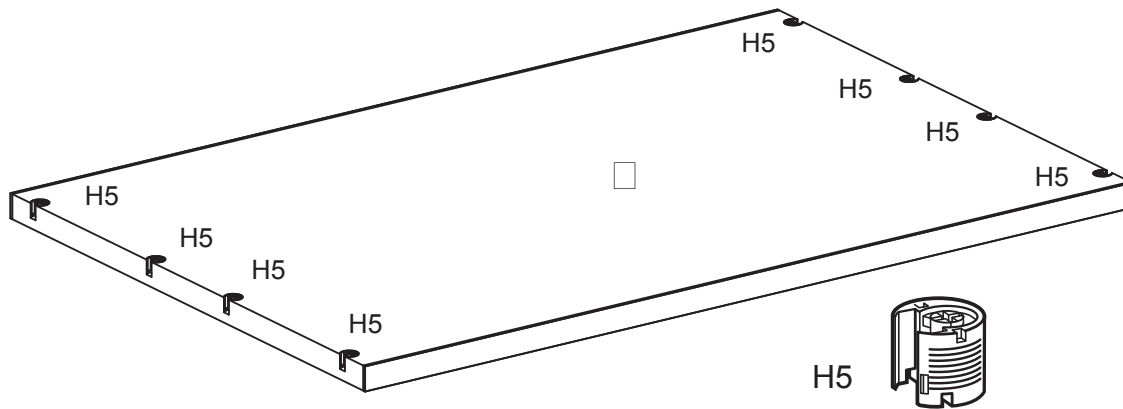
#2

Push in Minifix Cam (H3) into appropriate Holes on the Spanner and Toe Kick Panels.



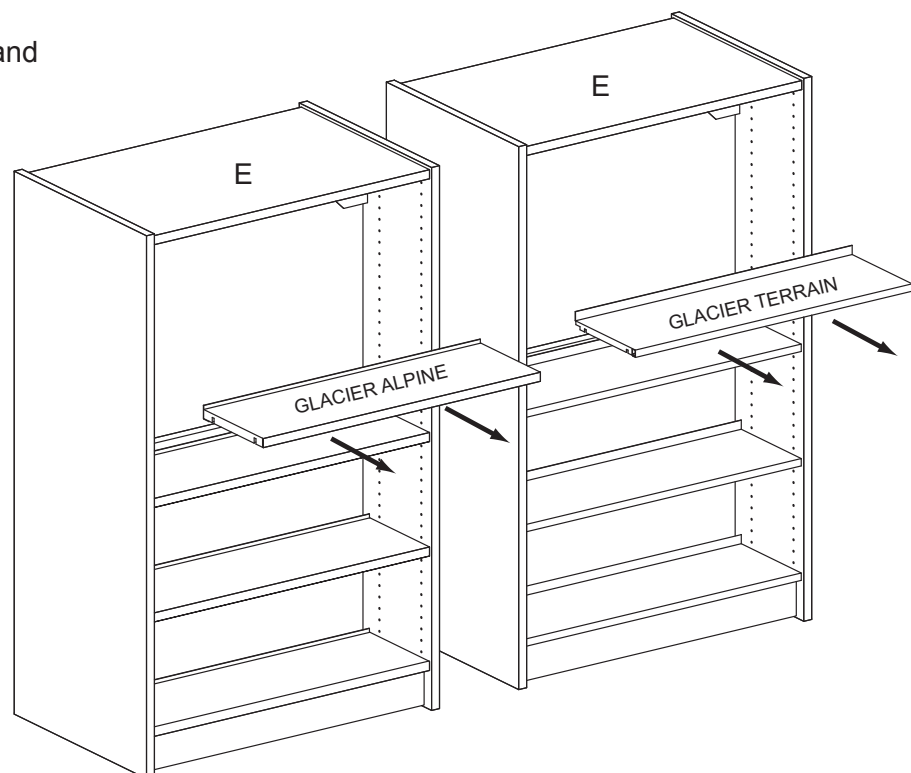
#3

Insert Tab V Housing (H5) into the holes of the Top Panel.



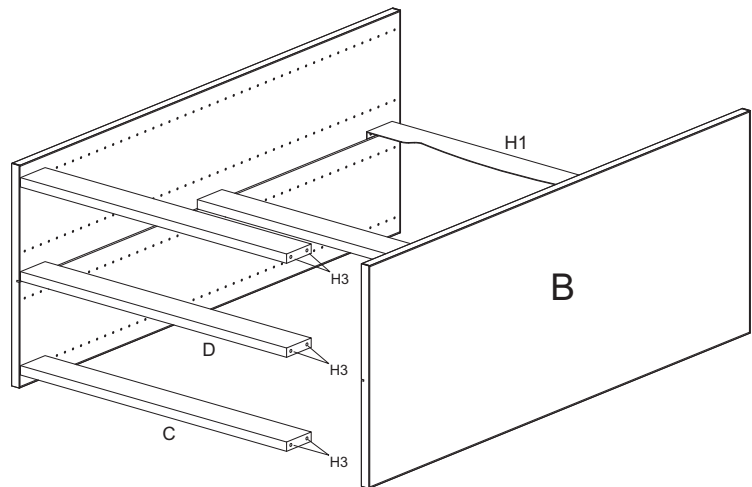
#4

Remove shelves and Top Panel (E).



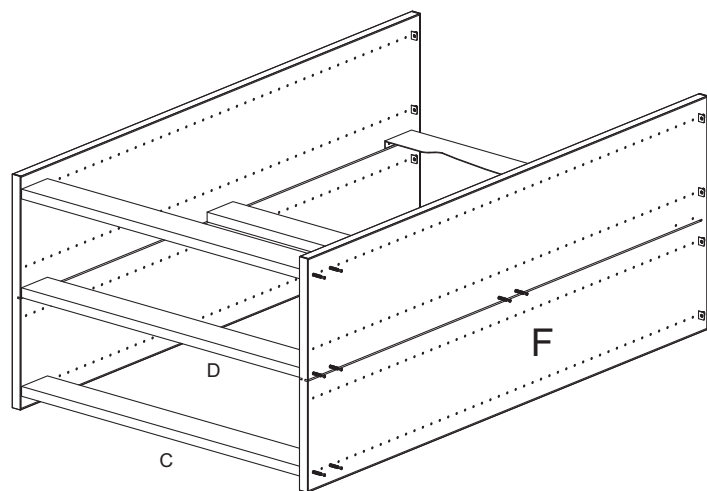
#5

Remove Back Panel.
Remove screws from one side of metal spanner (H1).
Loosen Minifix Cams (H3) on one side. Remove Right Panel (B).



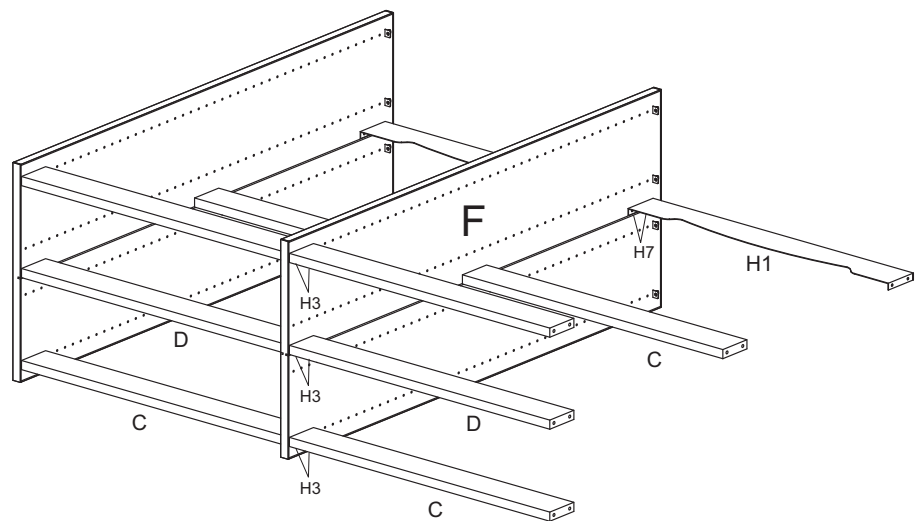
#6

Attach Divider Panel to Unit
and secure by tightening
Minifix Cams (H3) and
inserting Varianta Screws
(H7) to Metal Spanner
(H1).



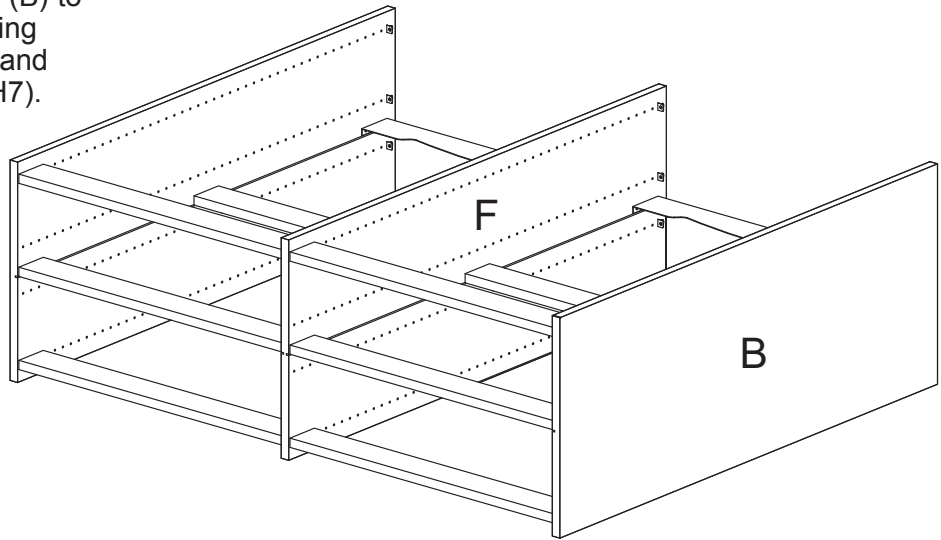
#7

Attach spanners and
Toe Kick to the other
side of Divider Panel
(F) and secure using
Minifix Cams (H3) and
Varianta Screws (H7).



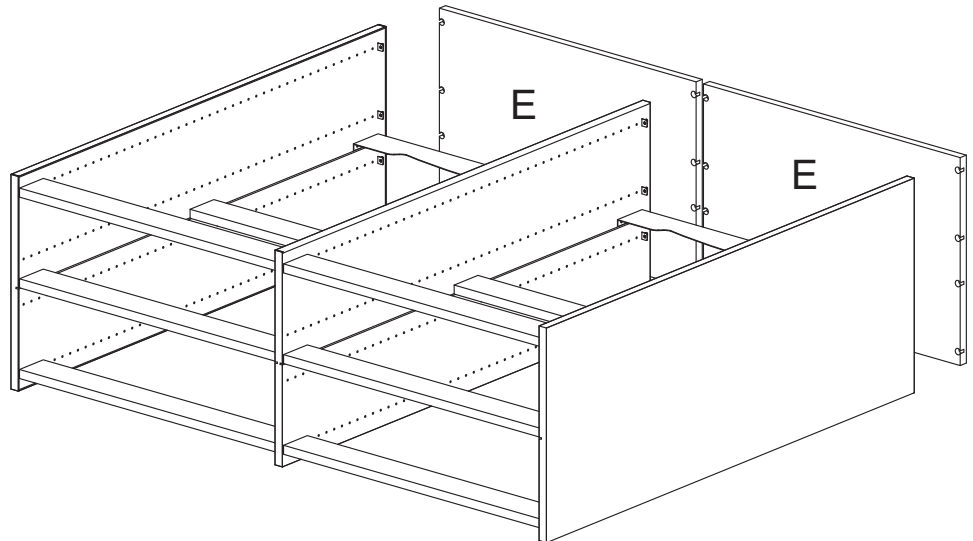
#8

Attach Right Panel (B) to unit and secure using Minifix Cams (H3) and Varianta Screws (H7).



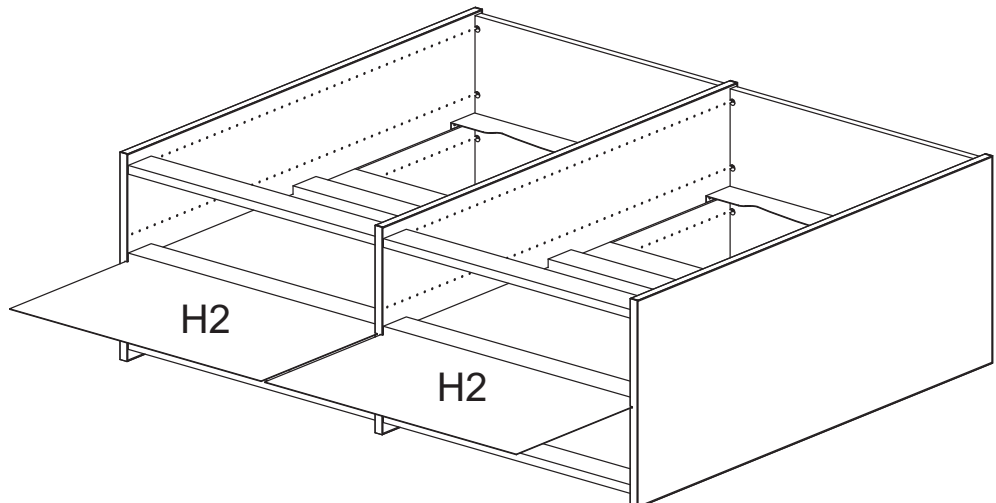
#9

Insert Top Panels (E) and Secure using Screw in Tab V System.



#10

Slide in Back Panel (H2) and hold in place by screwing in Panhead Screws (H8) into Bottom Spanner (C).



#11

Insert Shelf Clips and insert Shelves
(see Shelving Assembly Sheet)

