

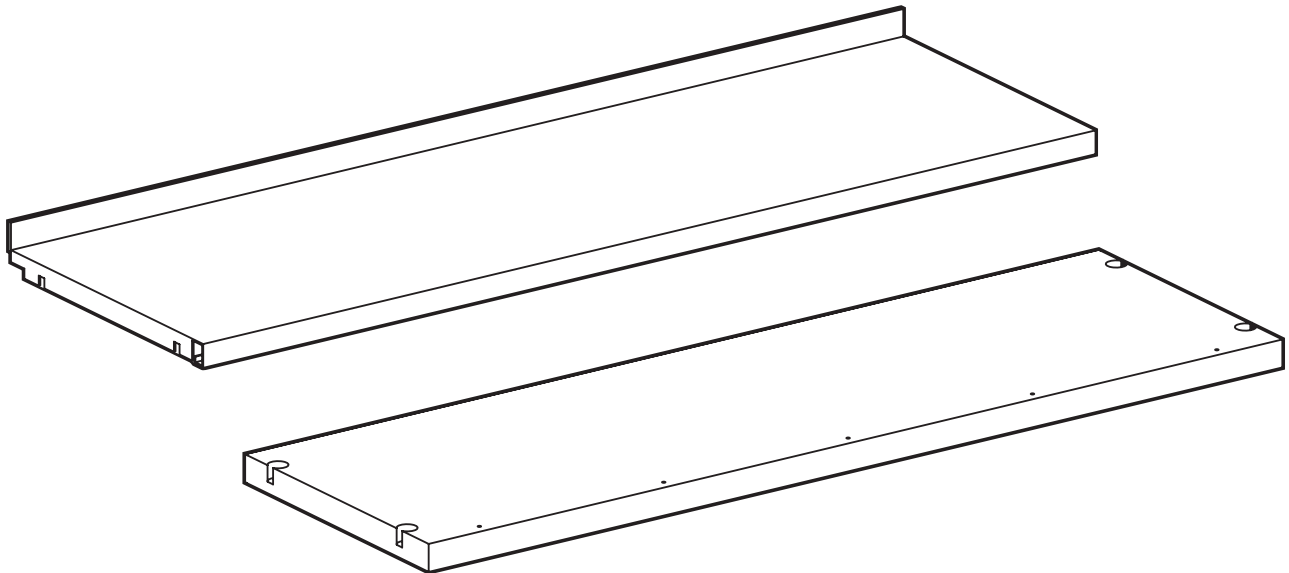


BY  **IRONWOOD**

**GLACIER ALPINE
GLACIER TERRAIN**

**GT SHELVES
GA SHELVES**

LIBRARY SHELVES



IMPORTANT!

Assembly may require the assistance of another person.

Before you begin assembly:

READ THE DIRECTIONS all the way through one time. This will speed up the process and help you understand the sequence of steps.

COUNT THE PARTS AND HARDWARE before assembly. This ensures you have received all necessary parts before you begin.

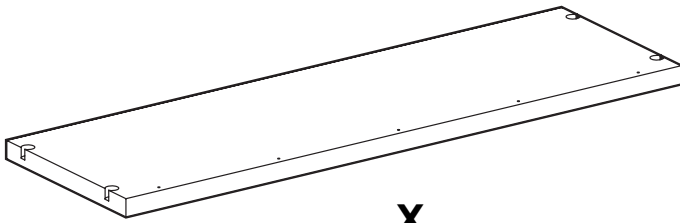
TOOLS: You may need a Phillips head screwdriver, a medium slotted screwdriver or a plastic mallet. To protect your new furniture from damage during assembly, it is recommended to work on a carpeted surface.

In the event any parts are missing from this package, send your name, address, telephone number, and a description of the missing part(s) to: **PARTS, Box 1420, Missoula, MT 59806** or call: **1-800-769-5693** or **FAX 1-800-445-5281**.

CAUTION: On assemblies requiring glue, make sure the unit is assembled correctly before gluing. Once this unit is assembled with glue, the manufacturer will not be responsible for damaged parts. Keep a damp cloth or sponge handy to wipe off excess glue.

To care for this furniture, simply wipe with a cloth dampened with glass cleaner containing ammonia-D.

Glacier Alpine Shelving



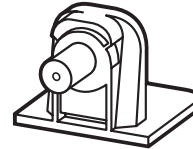
X

Glacier Alpine Shelf Panel	GAS1	01026024	1 ea.
	GAS3		3 ea.
	GAS4		4 ea.
	GAS5		5 ea.
	GAS6		6 ea.



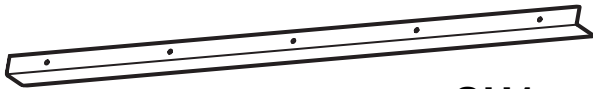
SH2

Tab V Housing	GAS1	9099930	4 ea.
	GAS3		12 ea.
	GAS4		16 ea.
	GAS5		20 ea.
	GAS6		24 ea.



SH3

Push in Tab V	GAS1	9099932	4 ea.
	GAS3		12 ea.
	GAS4		16 ea.
	GAS5		20 ea.
	GAS6		24 ea.



SH1

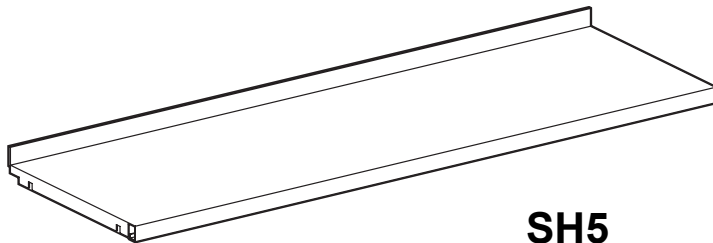
Glacier Alpine Book Stop	GAS1	412226	1 ea.
	GAS3		3 ea.
	GAS4		4 ea.
	GAS5		5 ea.
	GAS6		6 ea.



SH4

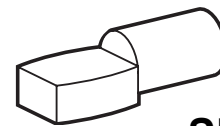
#8 x 5/8" Panhead Screw	GAS1	909932	5 ea.
	GAS3		15 ea.
	GAS4		20 ea.
	GAS5		25 ea.
	GAS6		30 ea.

Glacier Terrain Shelving



SH5

Glacier Terrain Metal Shelf	GTS1	LS-AMS	1 ea.
	GTS3		3 ea.
	GTS4		4 ea.
	GTS5		5 ea.
	GTS6		6 ea.



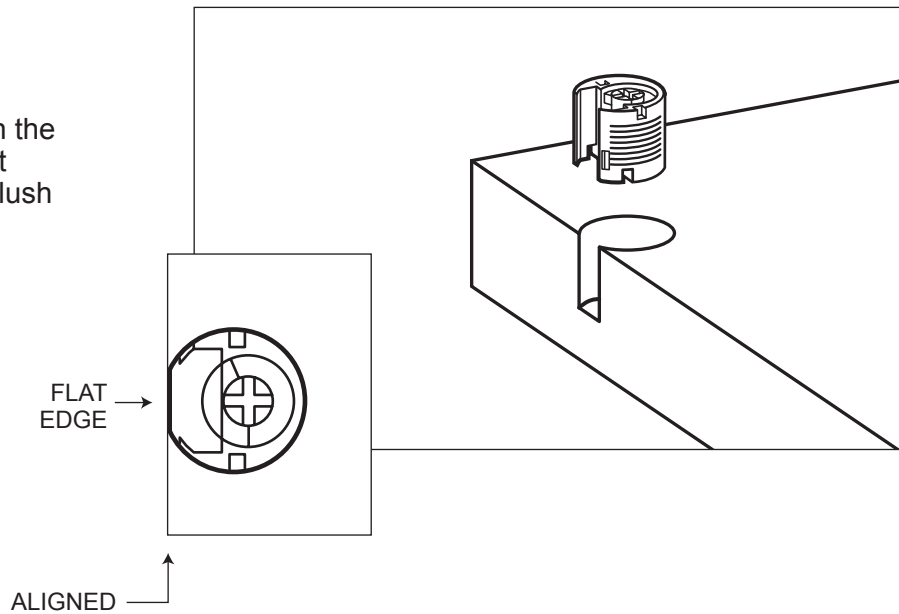
SH6

Glacier Terrain Spoon Shelf Clip	GAS1	H1021	4 ea.
	GAS3		12 ea.
	GAS4		16 ea.
	GAS5		20 ea.
	GAS6		24 ea.

USING THE TAB-V SYSTEM:

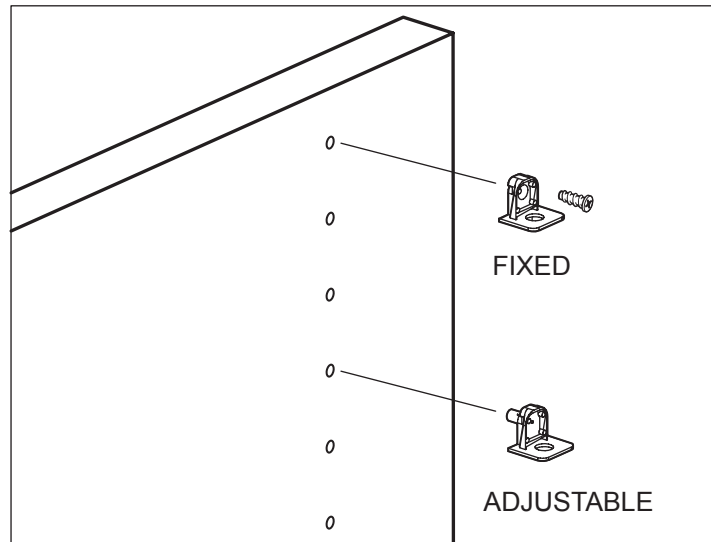
Using a plastic mallet, tap in the plastic housings with the flat edge facing outwards until flush with the surface.

IMPORTANT! The flat edge of the plastic housing must be aligned with the shelf edge. Plastic Housings cannot be repositioned once installed.



For a Fixed Shelf or Top, install the metal flange using a System (Varianta) Screw as shown. **DO NOT** over tighten!

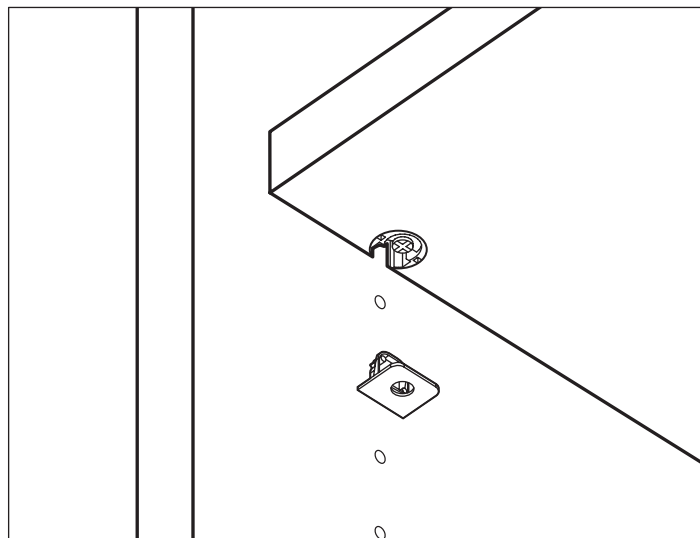
For an Adjustable Shelf, use the Metal Shelf Clip.



Slide the shelf into place over the Metal Flanges and push down until fully seated.

Turn the rotating portion (Cam) 1/2 turn to lock in place.

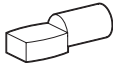
To remove, simply turn the Cam counter clockwise 1/2 turn and lift the shelf off of the Metal Flanges.



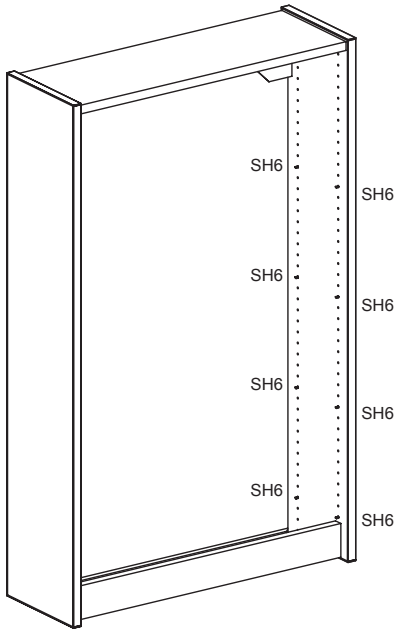
Glacier Terrain

#1

Insert H1021 (SH6) Shelf Pins into adjustable holes on side panels.

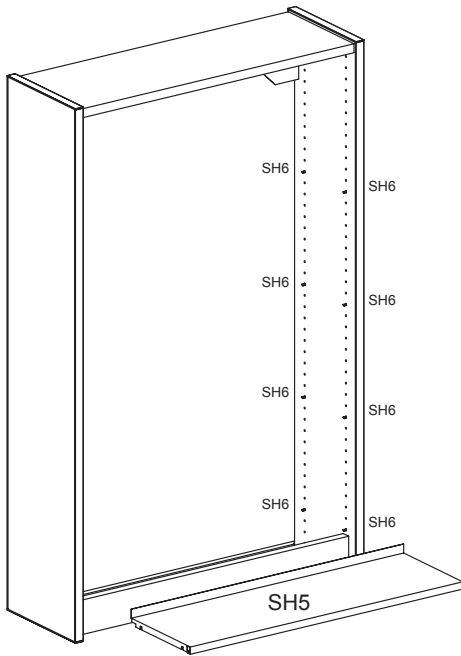


SH6



#2

Slide Shelf (SH5) over Shelf Pins to hold into place.



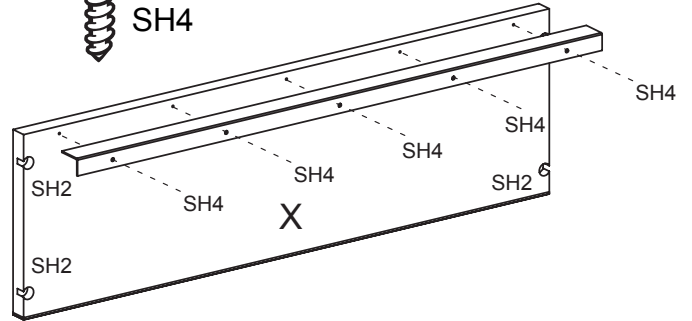
Glacier Alpine

#1

Insert Tab V Hoisting (SH2) into corresponding holes. Line up Book Stop (SH1) and hold in place with Panhead Screw (SH4).

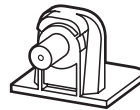


SH4

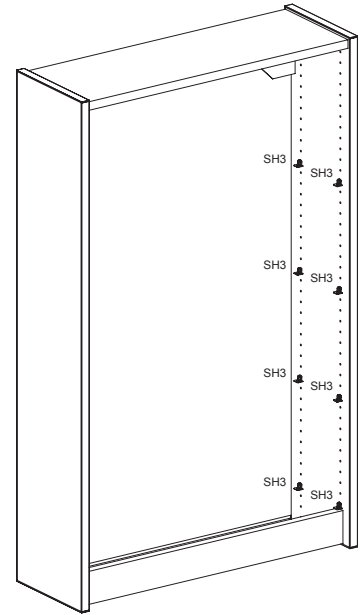


#2

Insert Push in Tab V (SH3) into adjustable holes on Side Panel.

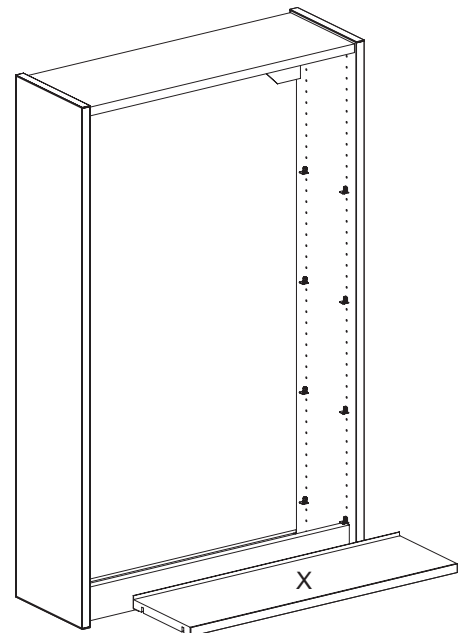


SH3

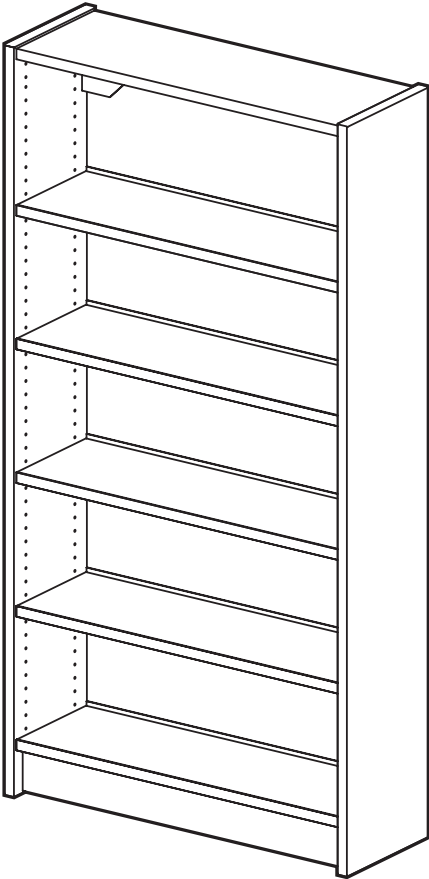


#3

Insert Push in Tab V (SH3) into adjustable holes on Side Panel.



Glacier Terrain Bookcase



Glacier Alpine Bookcase

