

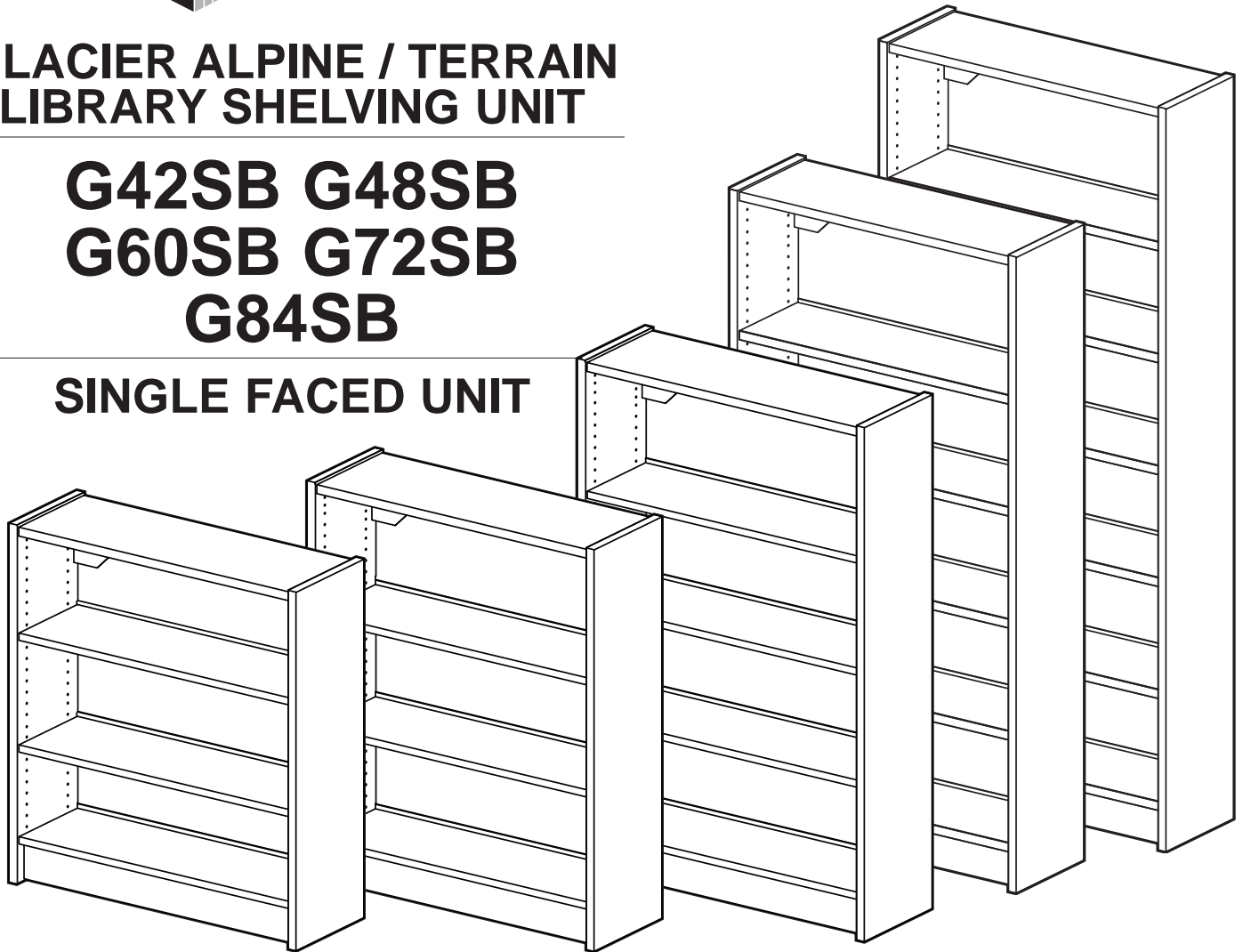


BY  **IRONWOOD**

GLACIER ALPINE / TERRAIN LIBRARY SHELVING UNIT

**G42SB G48SB
G60SB G72SB
G84SB**

SINGLE FACED UNIT



IMPORTANT!

Assembly may require the assistance of another person.

Before you begin assembly:

READ THE DIRECTIONS all the way through one time. This will speed up the process and help you understand the sequence of steps.

COUNT THE PARTS AND HARDWARE before assembly. This ensures you have received all necessary parts before you begin.

TOOLS: You may need a Phillips head screwdriver, a medium slotted screwdriver or a plastic mallet. To protect your new furniture from damage during assembly, it is recommended to work on a carpeted surface.

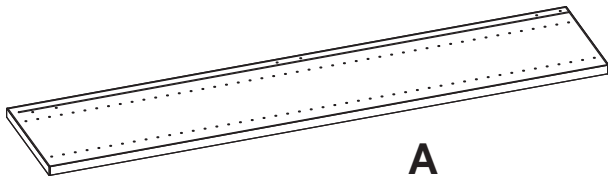
In the event any parts are missing from this package, send your name, address, telephone number, and a description of the missing part(s) to: **PARTS, Box 1420, Missoula, MT 59806** or call: **1-800-769-5693** or **FAX 1-800-445-5281**.

CAUTION: On assemblies requiring glue, make sure the unit is assembled correctly before gluing. Once this unit is assembled with glue, the manufacturer will not be responsible for damaged parts. Keep a damp cloth or sponge handy to wipe off excess glue.

To care for this furniture, simply wipe with a cloth dampened with glass cleaner containing ammonia-D.

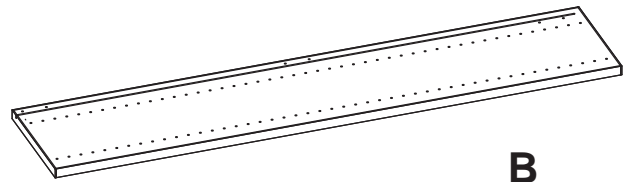
PARTS DIAGRAM

The diagram show one size for ease of viewing. Any differences will be indicated in each part's description.



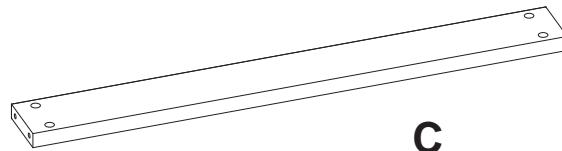
A

| | | | |
|------------|--------|----------|-------|
| Left Panel | G42SB | 01026141 | 1 ea. |
| | G48SB | 01026341 | 1 ea. |
| | GT60SB | 01026541 | 1 ea. |
| | G72SB | 01026741 | 1 ea. |
| | G84SB | 01026941 | 1 ea. |



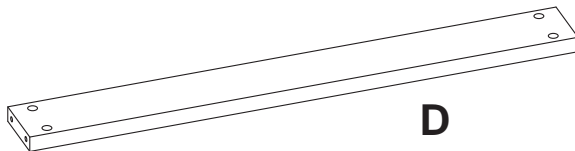
B

| | | | |
|-------------|-------|----------|-------|
| Right Panel | G42SB | 01026141 | 1 ea. |
| | G48SB | 01026341 | 1 ea. |
| | G60SB | 01026541 | 1 ea. |
| | G72SB | 01026741 | 1 ea. |
| | G84SB | 01026941 | 1 ea. |



C

| | | |
|---------|----------|-------|
| Spanner | 01026089 | 2 ea. |
|---------|----------|-------|



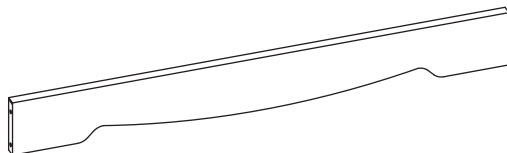
D

| | | |
|----------|----------|-------|
| Toe Kick | 01026072 | 1 ea. |
|----------|----------|-------|

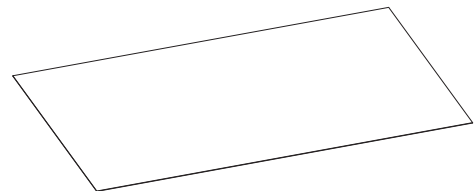


E

| | | |
|-----------|----------|-------|
| Top Panel | 01026001 | 1 ea. |
|-----------|----------|-------|



| | | | |
|----|---------------|-------|-------|
| H1 | Metal Spanner | LS-MB | 1 ea. |
|----|---------------|-------|-------|



| | | | | |
|----|------------|-----------|-----------|--------|
| H2 | Back Panel | G42-Back | 102361/65 | .5 ea. |
| | G48-Back | 102358/62 | 1 ea. | |
| | G60-Back | 102359/63 | 1 ea. | |
| | G72-Back | 102360/64 | 1 ea. | |
| | G84-Back | 102361/65 | 1 ea. | |

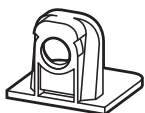
HARDWARE



| | | | |
|----|-------------|--------|--------|
| H3 | Minifix Cam | 909810 | 12 ea. |
|----|-------------|--------|--------|



| | | | |
|----|--------------|--------|--------|
| H4 | Minifix Bolt | 909834 | 12 ea. |
|----|--------------|--------|--------|



| | | | |
|----|----------------|--------|-------|
| H6 | Screw in Tab V | 909931 | 4 ea. |
|----|----------------|--------|-------|



| | | | |
|----|---------------|--------|-------|
| H5 | Tab-V Housing | 909930 | 4 ea. |
|----|---------------|--------|-------|



| | | | |
|----|----------------------------|--------|-------|
| H8 | #8 x 5/8" Panhead Screw | 988056 | 2 ea. |
|----|----------------------------|--------|-------|



| | | | |
|----|----------------|--------|-------|
| H7 | Varianta Screw | 988060 | 8 ea. |
|----|----------------|--------|-------|

If you have purchased an Adder unit
to be assembled in conjunction with this Base unit,

it is important to read all the way through the Adder instructions
(enclosed in the Adder carton) before beginning. It will be necessary
to substitute a Divider (J) for a Right Side (B) during assembly.

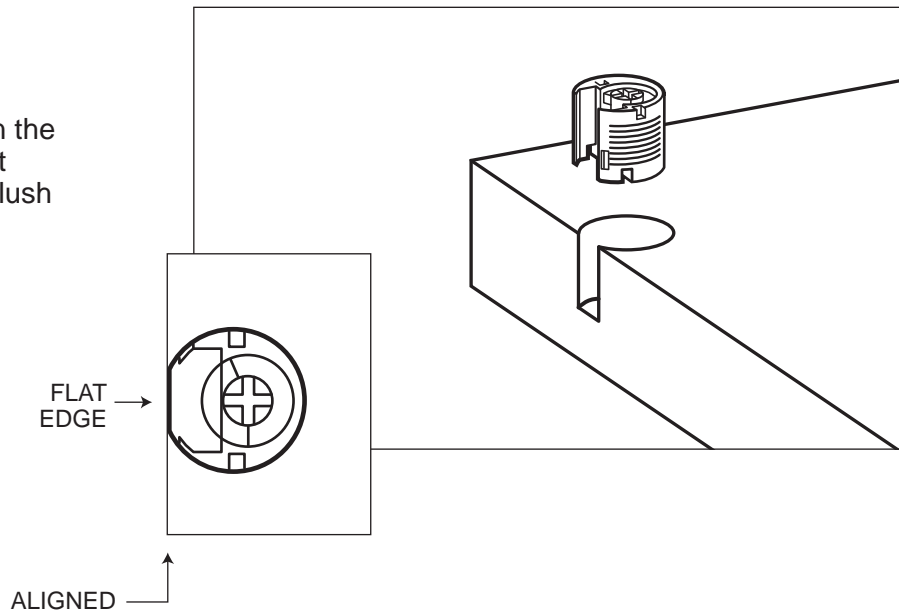
NOTE:

**The diagrams show one size for ease of viewing.
Any differences will be indicated in each step's text.**

USING THE TAB-V SYSTEM:

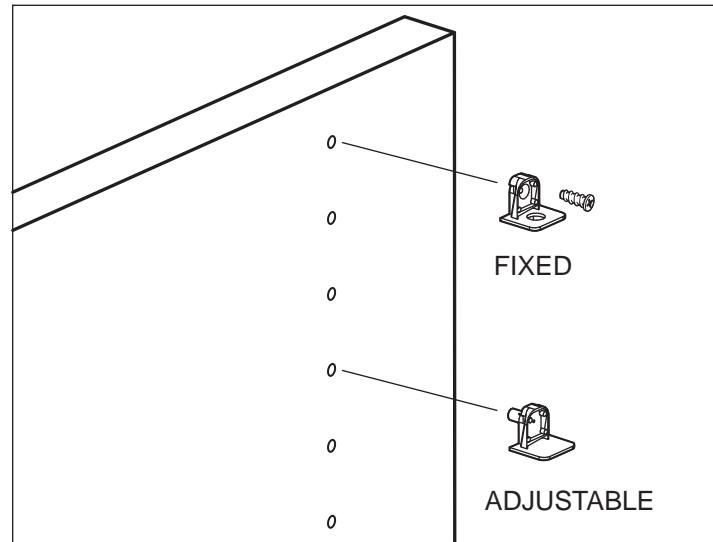
Using a plastic mallet, tap in the plastic housings with the flat edge facing outwards until flush with the surface.

IMPORTANT! The flat edge of the plastic housing must be aligned with the shelf edge. Plastic Housings cannot be repositioned once installed.



For a Fixed Shelf or Top, install the metal flange using a System (Varianta) Screw as shown. **DO NOT** over tighten!

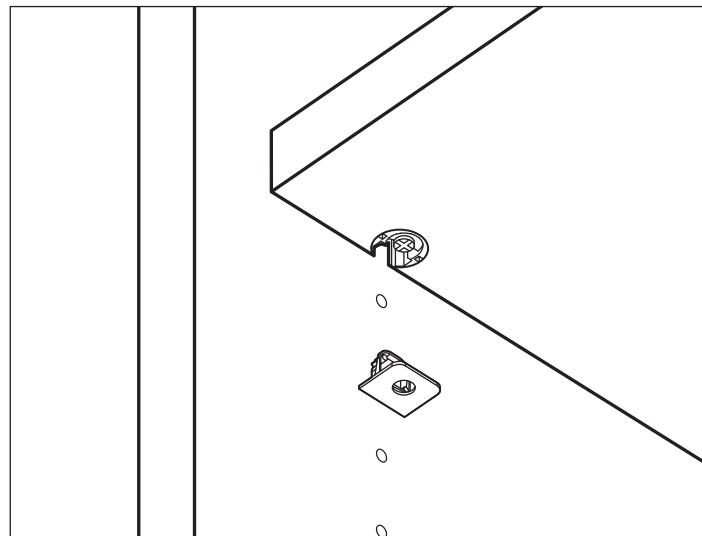
For an Adjustable Shelf, use the Metal Shelf Clip.



Slide the shelf into place over the Metal Flanges and push down until fully seated.

Turn the rotating portion (Cam) 1/2 turn to lock in place.

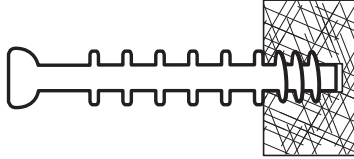
To remove, simply turn the Cam counter clockwise 1/2 turn and lift the shelf off of the Metal Flanges.



Using the Minifix System:

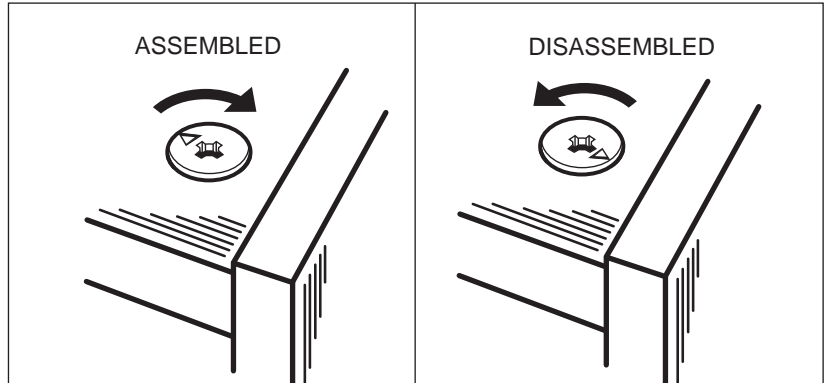
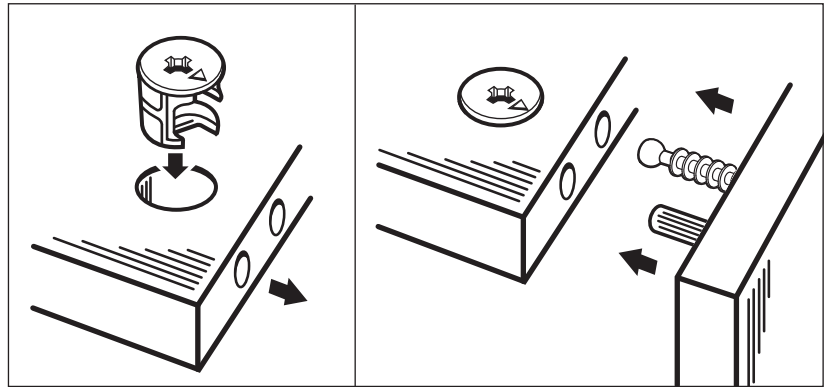
Insert the Minifix Cams into the appropriate holes with the arrow facing outwards as shown.

When screwing post into hole, **Do Not** over tighten. Screw post down until bottom face of post flange just touches board surface.



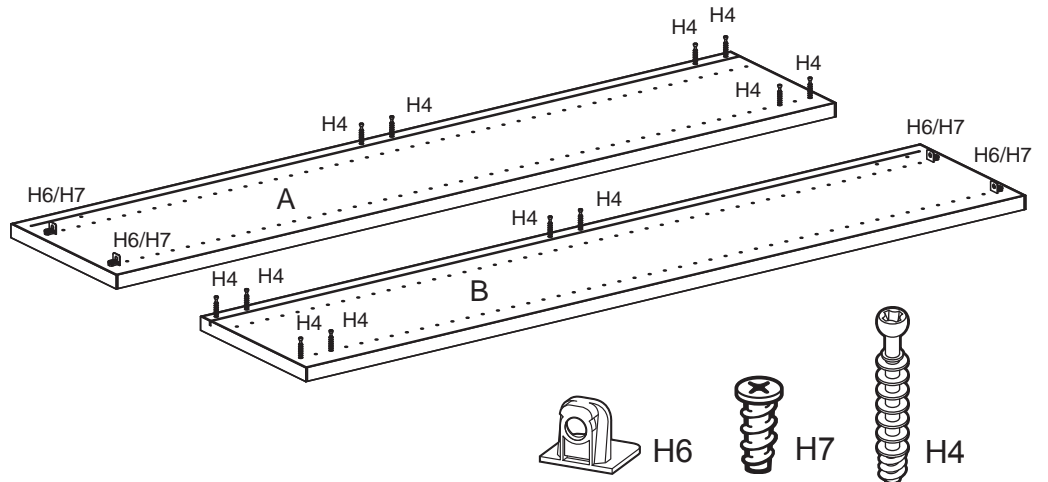
Using the #2 Phillips screwdriver, rotate the Cam Devices a half turn clockwise until snug.

To disassemble, turn the Cam Devices counter-clockwise and remove panels.



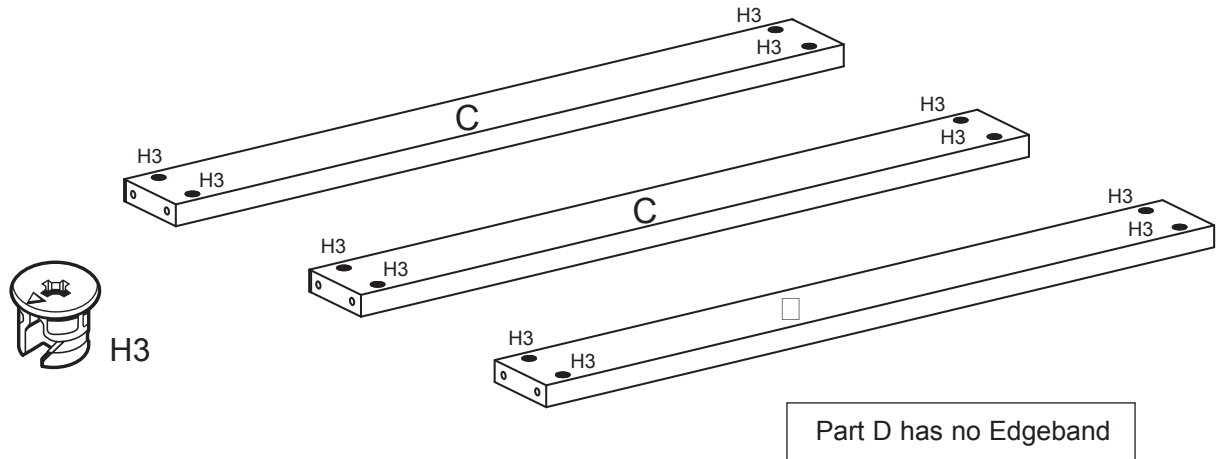
#1

Screw in Minifix Bolt (H4) into the corresponding locations. Place Screw in Tab V (H6) and secure by using Varianta Screw (H7).



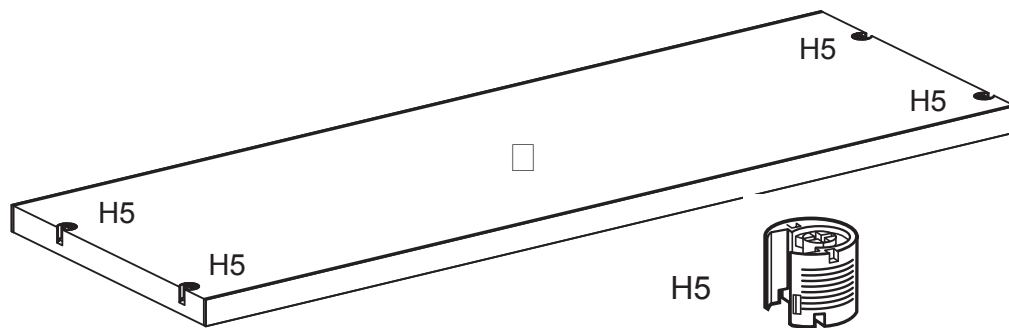
#2

Insert Minifix Cam (H3) into the corresponding holes on the spanner and Toe Kick Panels.



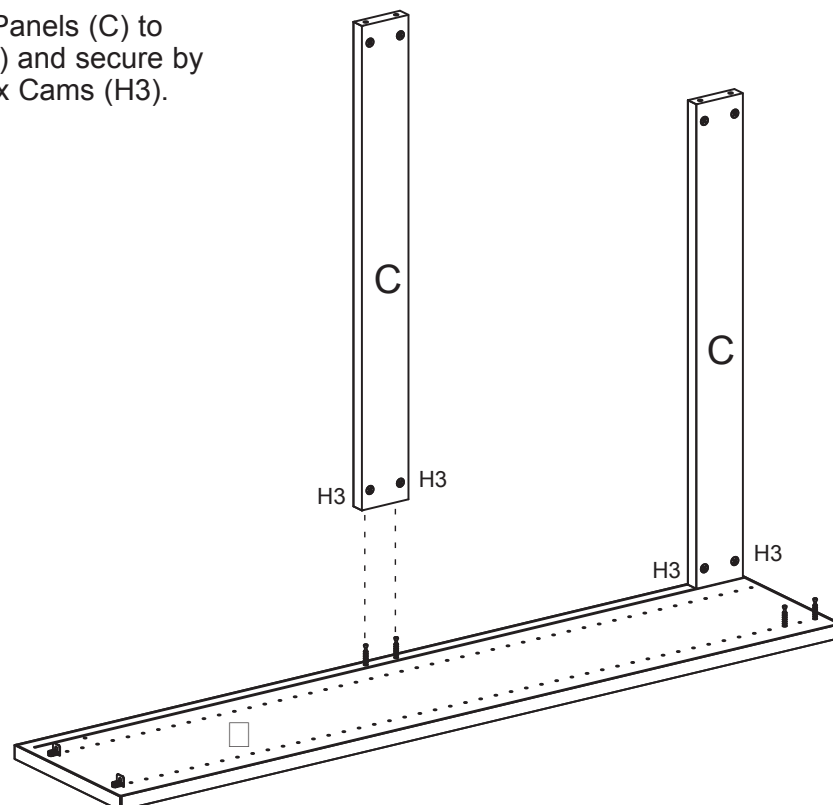
#3

Insert Tab V Housing (H5) into the holes of the Top Panel.



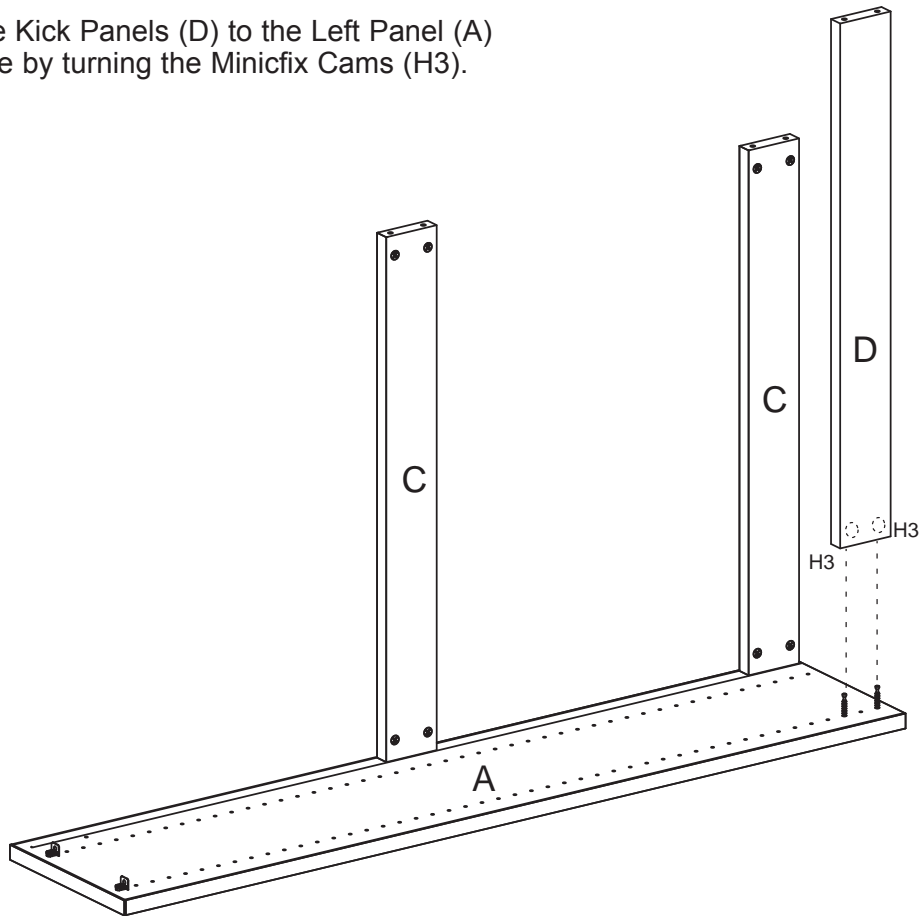
#4

Attach Spanner Panels (C) to the Left Panel (A) and secure by tuning the Minifix Cams (H3).



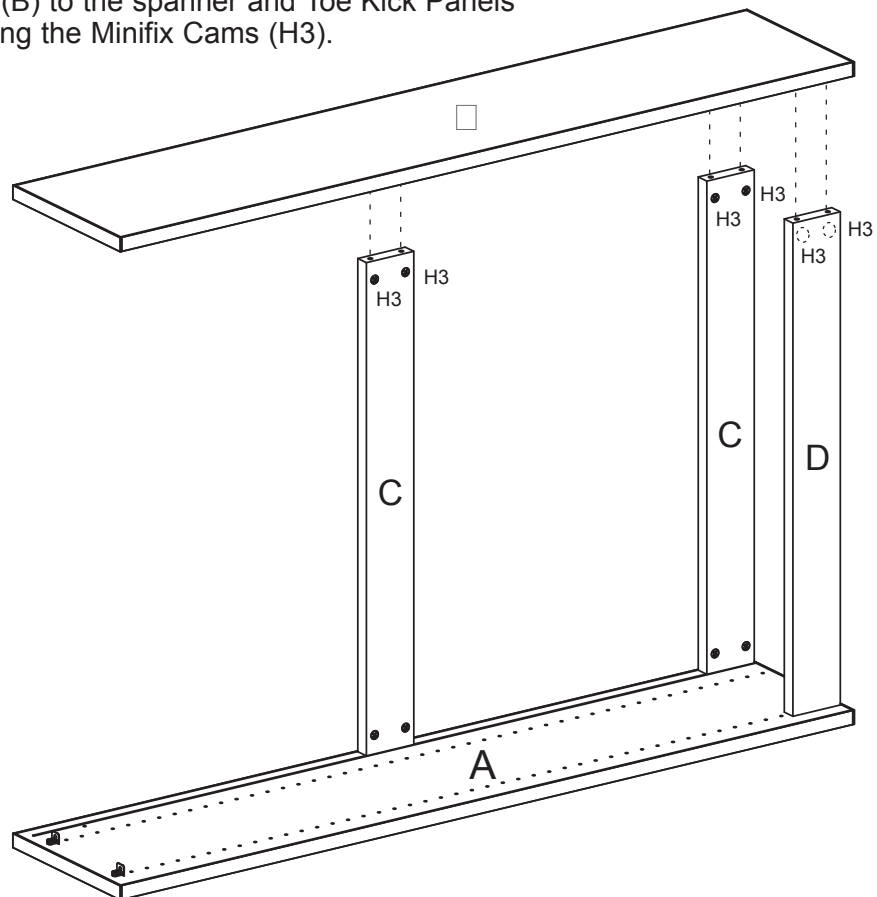
#5

Attach Toe Kick Panels (D) to the Left Panel (A) and secure by turning the Minifix Cams (H3).



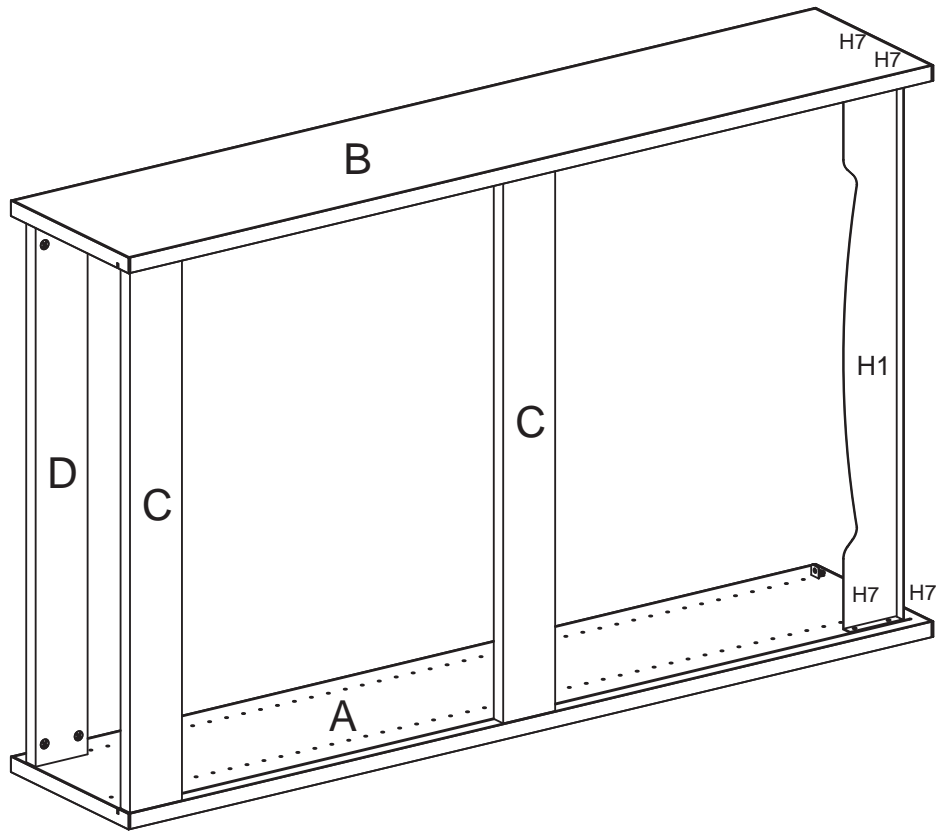
#6

Attach Right Panel (B) to the spanner and Toe Kick Panels and secure by turning the Minifix Cams (H3).



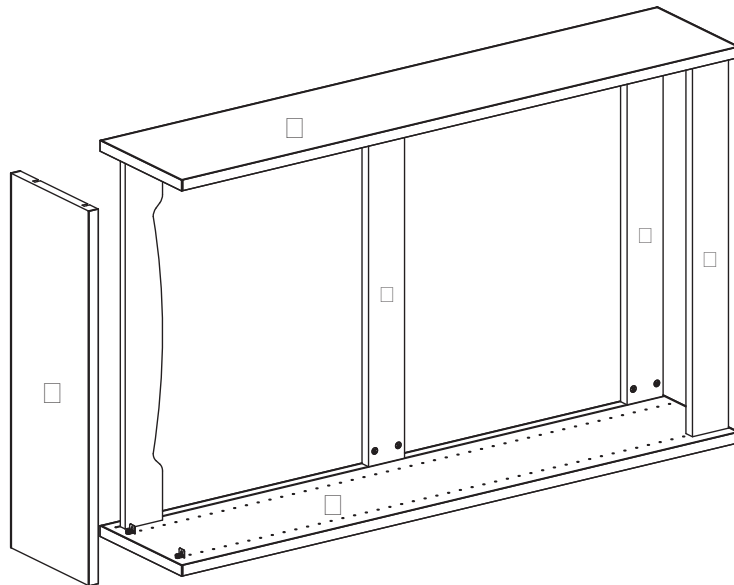
#7

Insert Metal Spanner (H1) and secure with Varianta Screws.



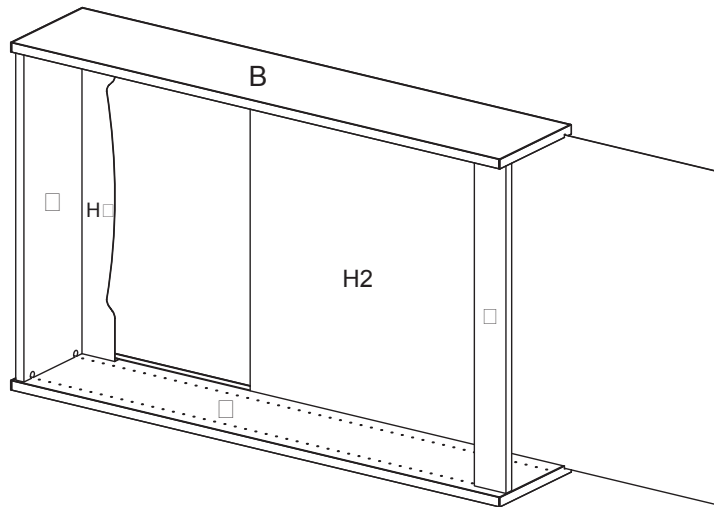
#8

Insert Top Panel and secure in place using Tab V System.



#9

Slide in Back Panel (H2) and hold in place by screwing in Panhead Screws (H8) into the Bottom Spanner (C).



#10

Insert Shelf Clips and Insert Shelves. (See Shelving Assembly sheet)

