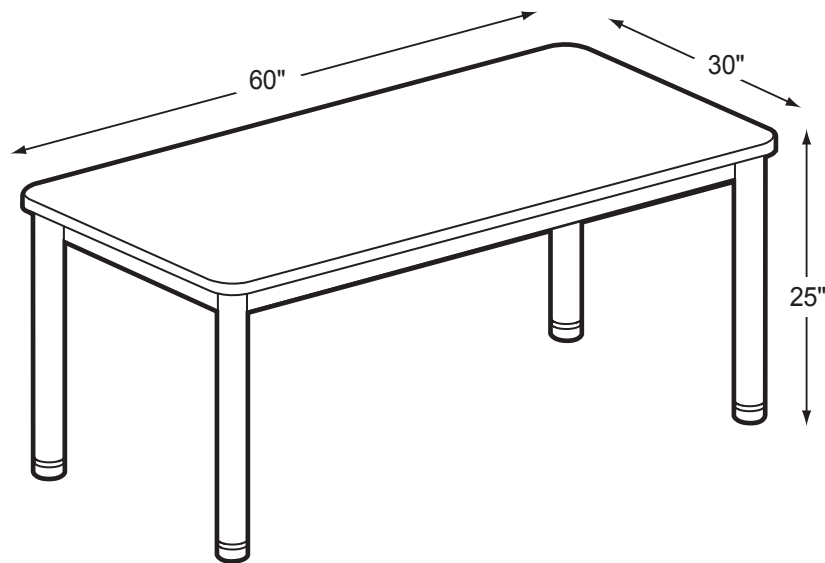


# GLT

---

## Library Tables



DO WE SET UP INDIVIDUAL SHEETS???

---

### Product Specs

---

- 1" thermal fused laminate top
- Matched edge banding
- 1" x 2" 16 gage welded top frame
- 10 gage corner brackets
- 2½" 16 gage legs 25" or 29"
- Powder coat finish
- 5/16" bolt with locknut
- Adjustable leveling glides