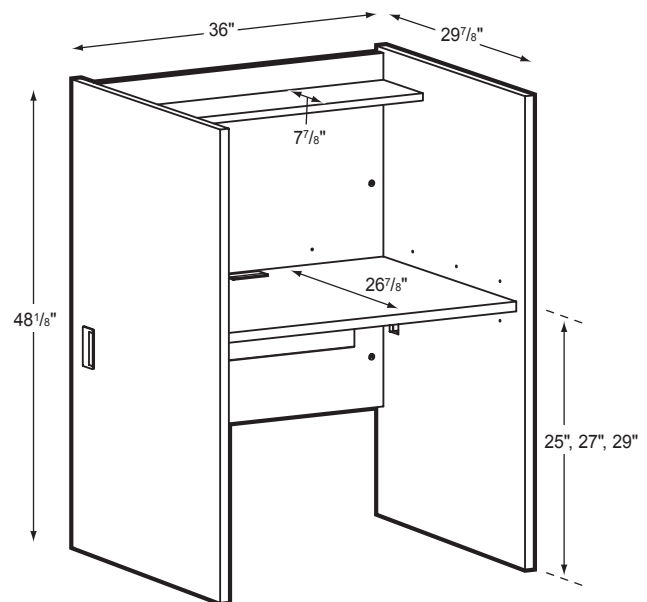
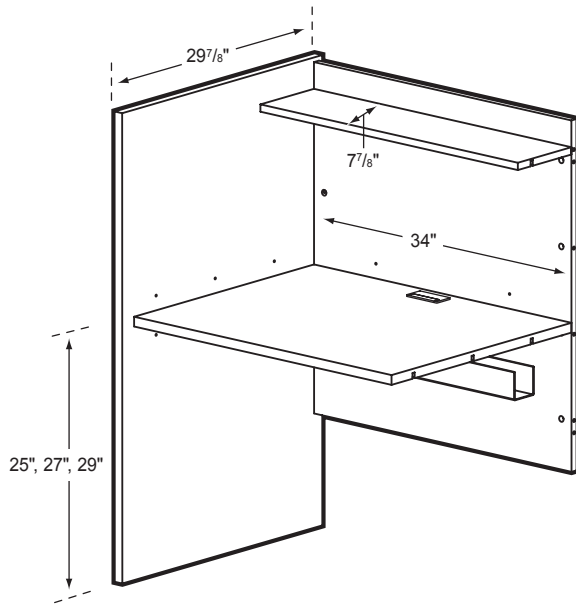


LC36-LC36A

Study/Computer Carrel



Product Specs

- 1" thermal fused laminate top and sides
- 3/4" supports and kicks
- Cam and post construction
- Matched edge banding
- Fixed storage shelf
- Adjustable height work surface
- Three - 2"x 4" grommets with covers
- Wire management tray
- Adjustable leveling glides

0208