



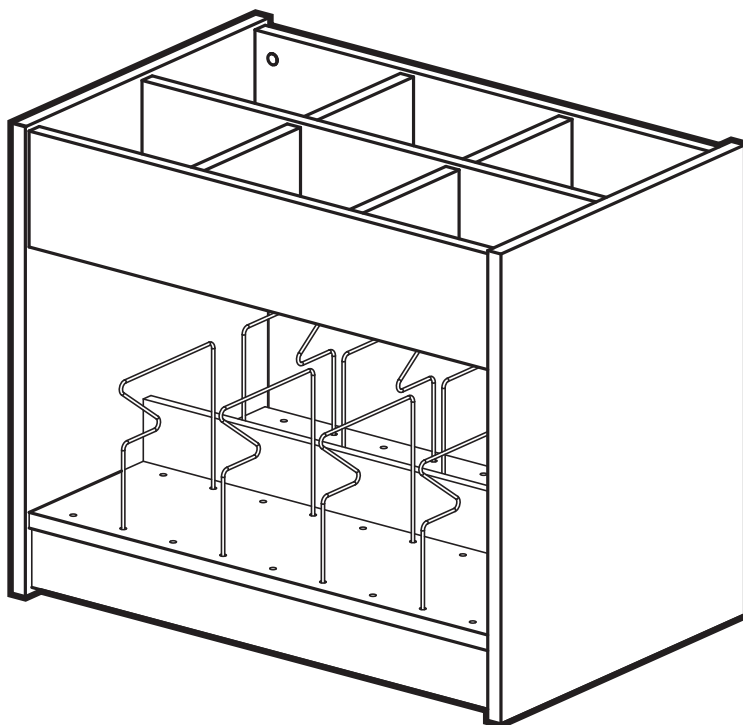
BY  **IRONWOOD**

---

# LFBB

---

## BOOK BROWSER



### IMPORTANT!

**Assembly may require the assistance of another person.**

**Before you begin assembly:**

**READ THE DIRECTIONS** all the way through one time. This will speed up the process and help you understand the sequence of steps.

**COUNT THE PARTS AND HARDWARE** before assembly. This ensures you have received all necessary parts before you begin.

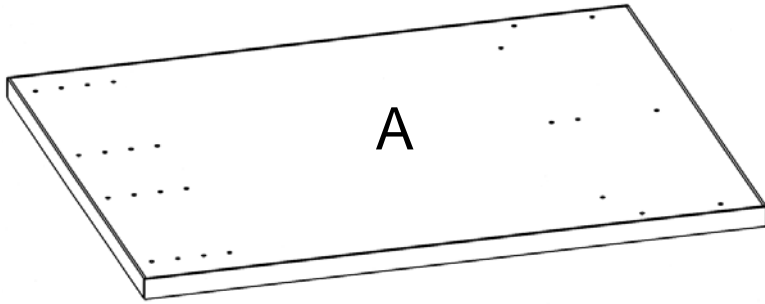
**TOOLS:** You may need a Phillips head screwdriver, a medium slotted screwdriver or a plastic mallet. To protect your new furniture from damage during assembly, it is recommended to work on a carpeted surface.

In the event any parts are missing from this package, send your name, address, telephone number, and a description of the missing part(s) to: **PARTS, Box 1420, Missoula, MT 59806** or call: **1-800-769-5693** or **FAX 1-800-445-5281**.

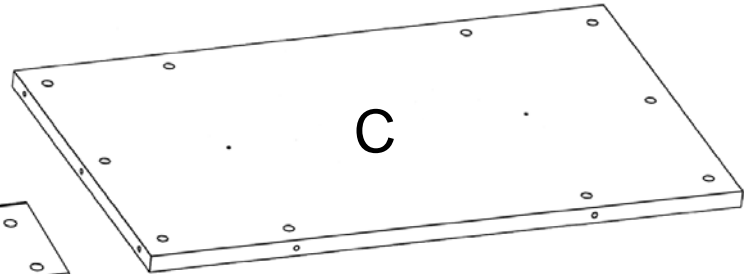
**CAUTION:** On assemblies requiring glue, make sure the unit is assembled correctly before gluing. Once this unit is assembled with glue, the manufacturer will not be responsible for damaged parts. Keep a damp cloth or sponge handy to wipe off excess glue.

To care for this furniture, simply wipe with a cloth dampened with glass cleaner containing ammonia-D.

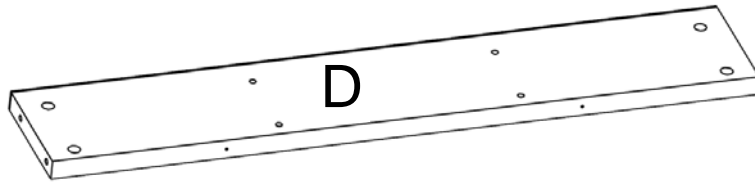
# PARTS DIAGRAM



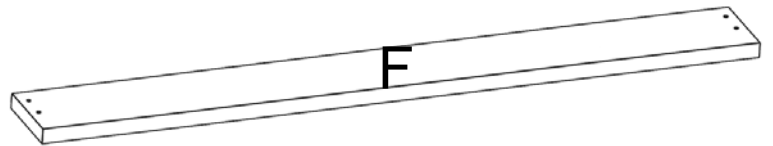
Side	01024941	2 ea.
------	----------	-------



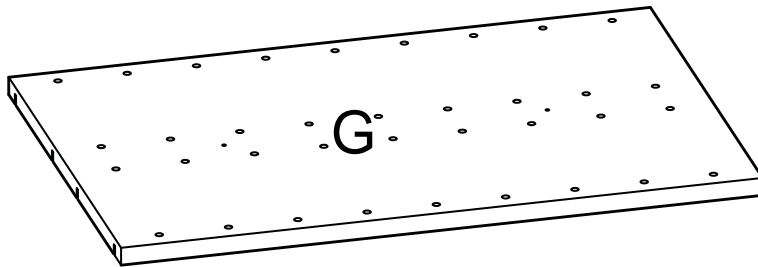
Top Shelf	01024902	1 ea.
-----------	----------	-------



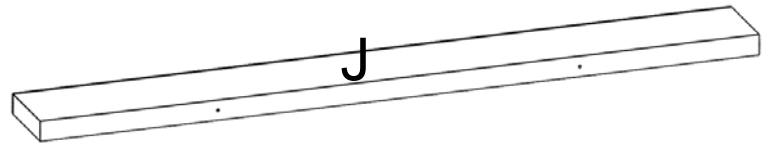
Upper Back	01024957	1 ea.
------------	----------	-------



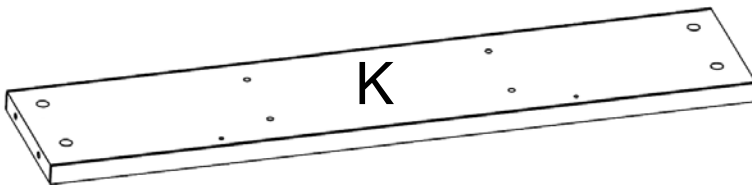
Toeboard	01024972	2 ea.
----------	----------	-------



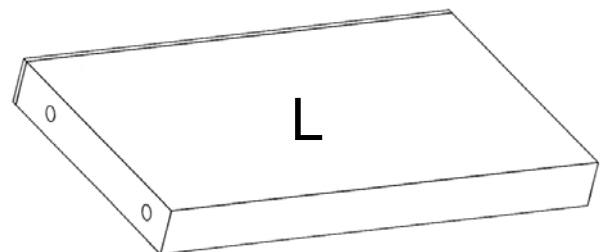
Bottom Shelf	01024921	1 ea.
--------------	----------	-------



Lower Back	01024960	1 ea.
------------	----------	-------



Front	01024980	2 ea.
-------	----------	-------



Divider	0124944	4 ea.
---------	---------	-------

# HARDWARE



H1	Rafix Cam	909910	8 ea.
----	-----------	--------	-------



H2	Confirmat Screw	950100	4 ea.
----	-----------------	--------	-------



H3	Minifix Cam	909810	22 ea.
----	-------------	--------	--------



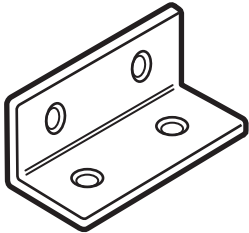
H4	Wood Dowel	195000	16 ea.
----	------------	--------	--------



H5	Minifix Bolt	909834	22 ea.
----	--------------	--------	--------



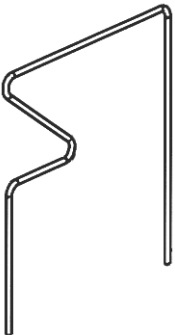
H6	Rafix Bolt	909923	8 ea.
----	------------	--------	-------



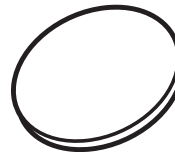
H7	Angle Bracket	401170	4 ea.
----	---------------	--------	-------



H8	Varianta Screw	988060	16ea.
----	----------------	--------	-------



H9	Wire Divider	490571	8ea.
----	--------------	--------	------



H10	Adhesive Cap	257285AA 257266DO 257232GG	12 ea.
-----	--------------	----------------------------------	--------

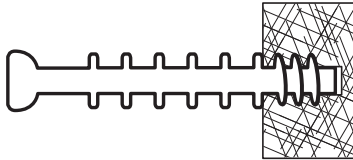


H11	2" Non-Skid Black Tape	298540	6 ea.
-----	---------------------------	--------	-------

### Using the Minifix System:

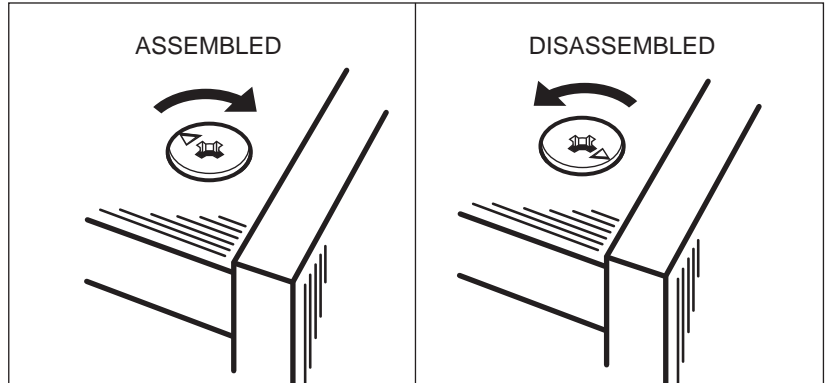
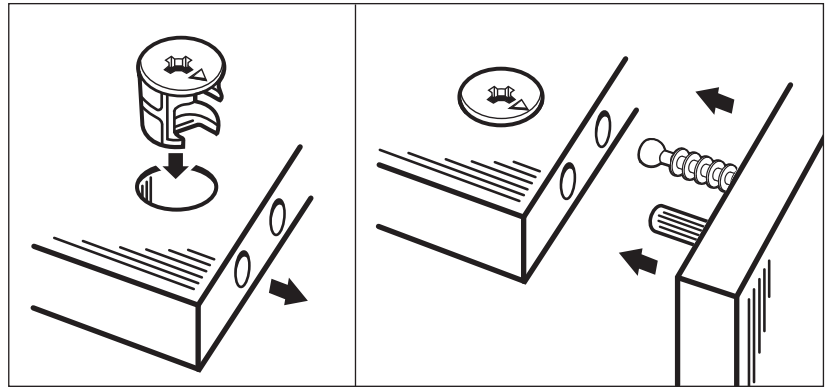
Insert the Minifix Cams into the appropriate holes with the arrow facing outwards as shown.

When screwing post into hole, **Do Not** over tighten. Screw post down until bottom face of post flange just touches board surface.



Using the #2 Phillips screwdriver, rotate the Cam Devices a half turn clockwise until snug.

To disassemble, turn the Cam Devices counter-clockwise and remove panels.

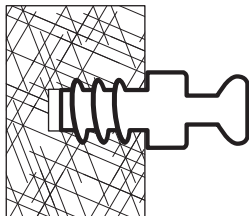


### Using the Rafix System:

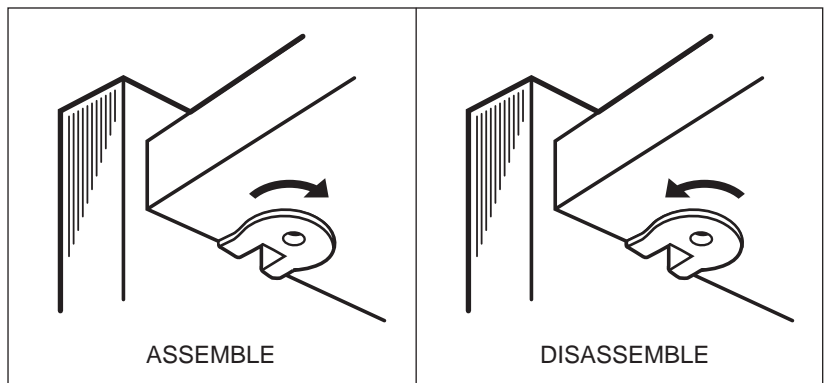
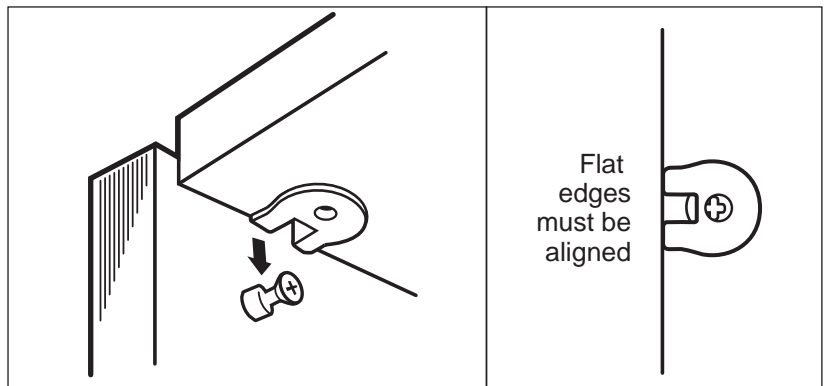
Insert the Rafix Cams into the appropriate holes. The flat edge of the cam should be facing the edge of the panel.

Slide Rafix Cams of the panel to be attached onto the corresponding posts.

When screwing post into hole, **Do Not** over tighten. Screw post down until bottom face of post flange just touches board surface.



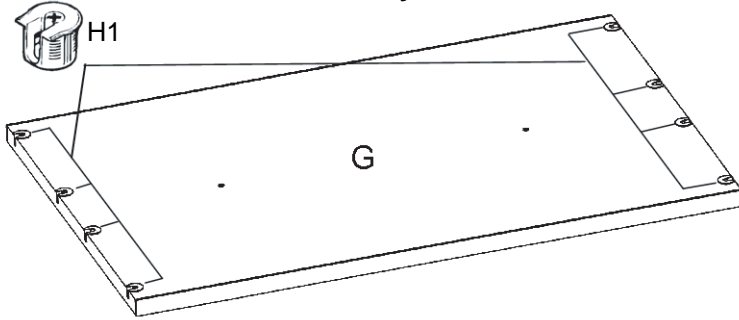
Using a #3 Phillips screwdriver, turn the rotating portion of the Rafix Cam a 1/2 turn clockwise to secure. **IMPORTANT!** Do not exceed 1/2 turn when tightening cams. Turn 1/2 turn counterclockwise to disassemble and remove panel.



**#1**

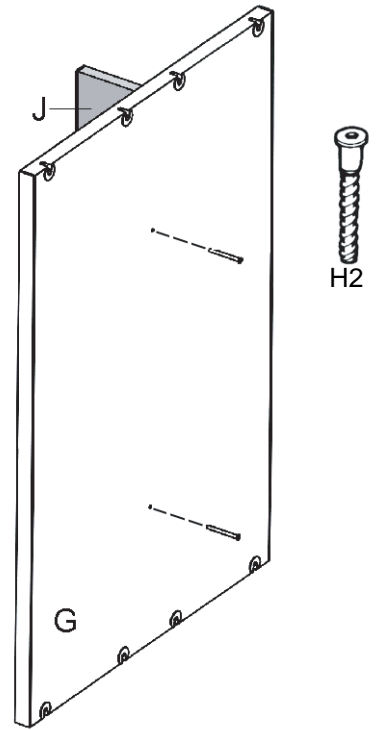
Insert eight Rafix Cams (H1) into the Bottom Shelf (G) facing outwards and tap until fully seated in place as shown.

**Important! The edge of the Rafix Cam must be aligned with the shelf edge. Rafix Cams are difficult to reposition if installed incorrectly.**



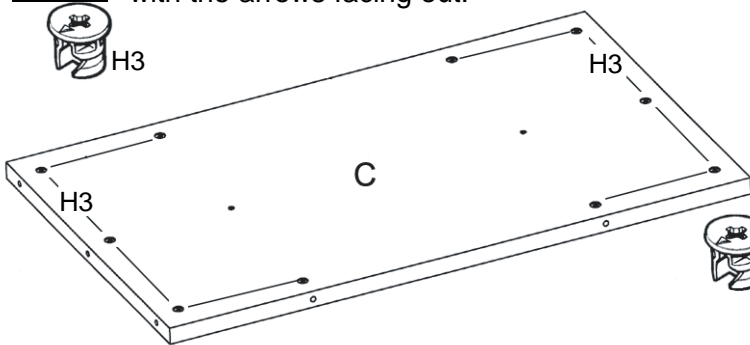
**#2**

Attach Lower Back (J) to the Bottom Shelf (G) using two Confirmat Screws (H2). We will call this the "Lower Assembly".



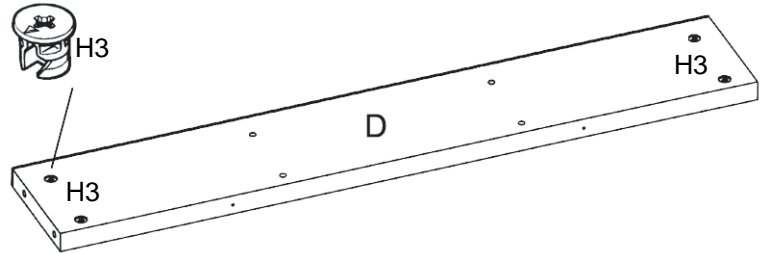
**#3**

Insert ten Minifix Cams (H3) into the Top (C) with the arrows facing out.



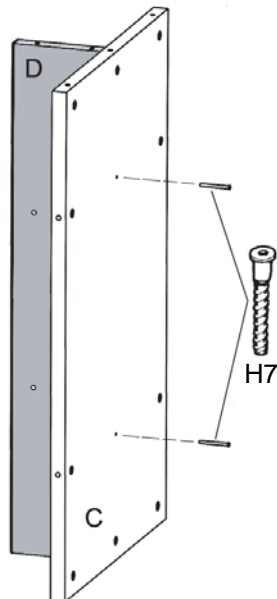
**#4**

Insert four Minifix Cams (H3) into the Upper Back (D) with the arrows facing out.



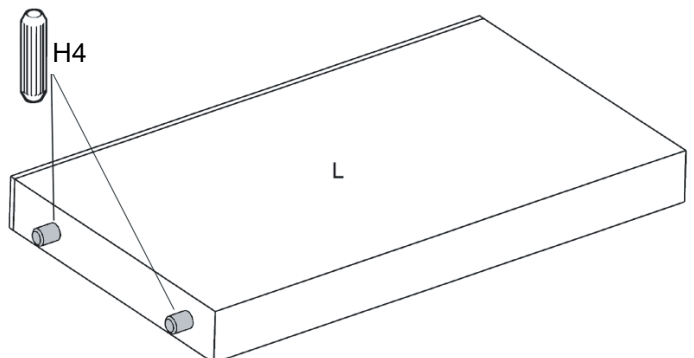
**#5**

Attach Upper Back (D) to the Top (C) using two Confirmat Screws (H2), being sure that the Cam holes of the Top (C) are opposite the Upper Back as shown. We will call this the "Upper Assembly".



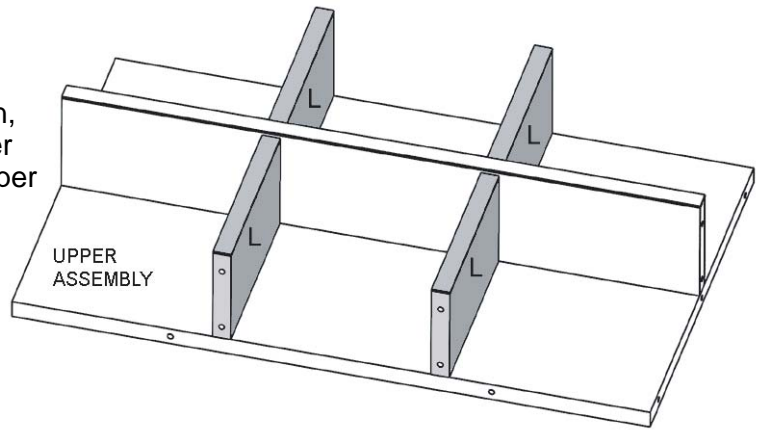
**#6**

Insert two Dowels (H4) into one end of each of the four Dividers (L) as shown.



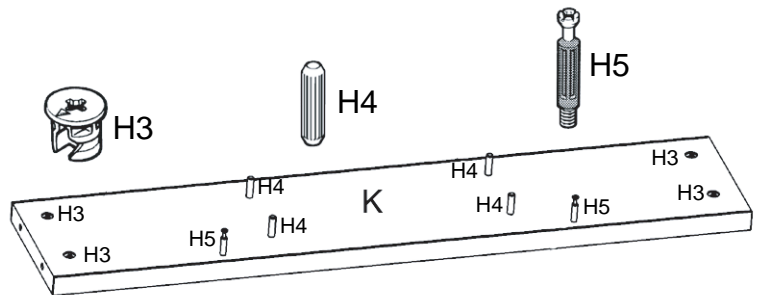
## #7

Attach the four Dividers (L) into the Upper Back (D) of the Upper Assembly as shown, by inserting the doweled end of the Divider Panels into the pre-drilled holes in the Upper Back.



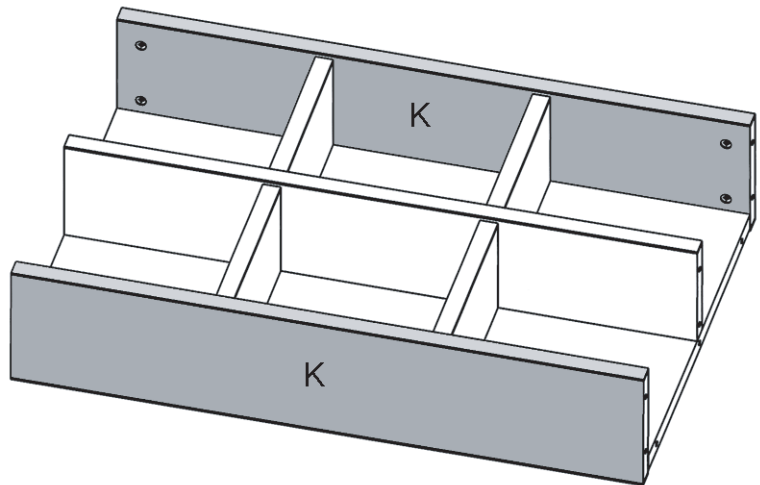
## #8

Insert four Dowels (H4), four Minifix Cams (H3), and screw two Minifix Bolts (H5) into each of the two Front Panels (K). Remember to face the arrows of the Cams out toward the edge of the panel.



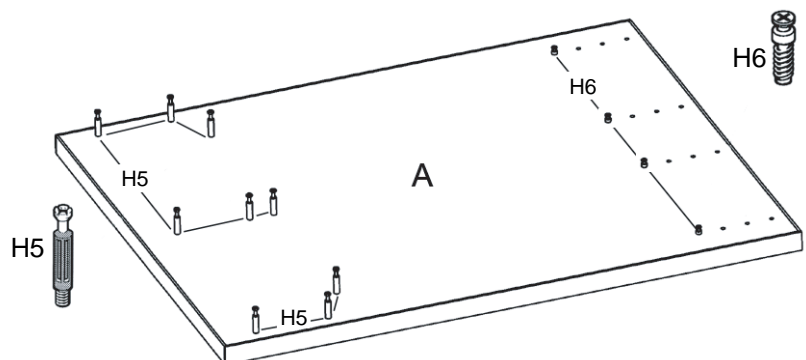
## #9

Attach the two Front Panels (K) to the Upper Assembly as shown. Tighten the four Minifix Cams of the Top Shelf by turning the arrows clockwise.



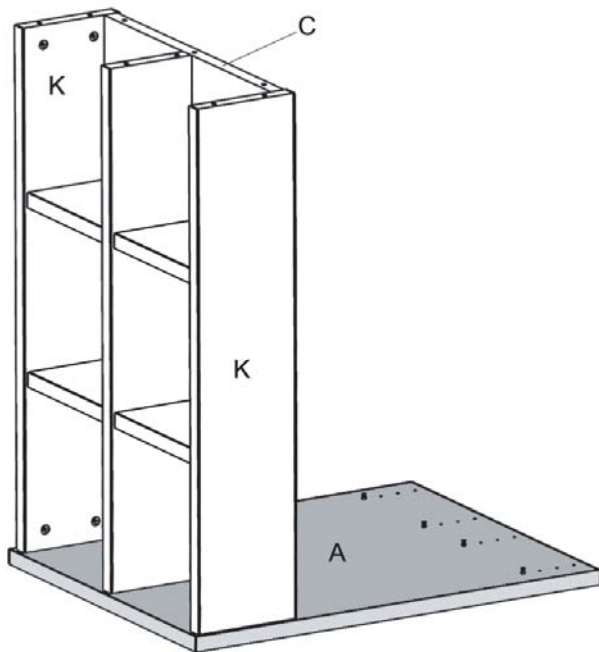
## #10

Screw nine Minifix Bolts (H5) and four Rafix Bolts (H6) into each of the two Sides (A) as shown.



**#11**

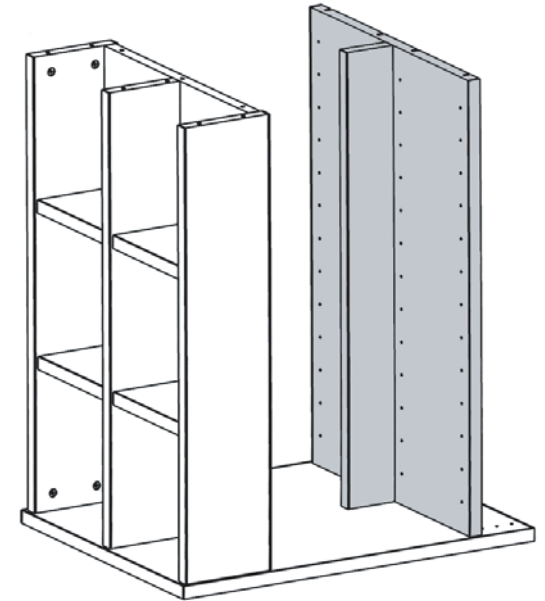
Attach the Upper Assembly to one Side (A) as shown. Tighten two Minifix Cams on each of the Front Panels (K) and three Minifix Cams on the Top Shelf (C).



**#12**

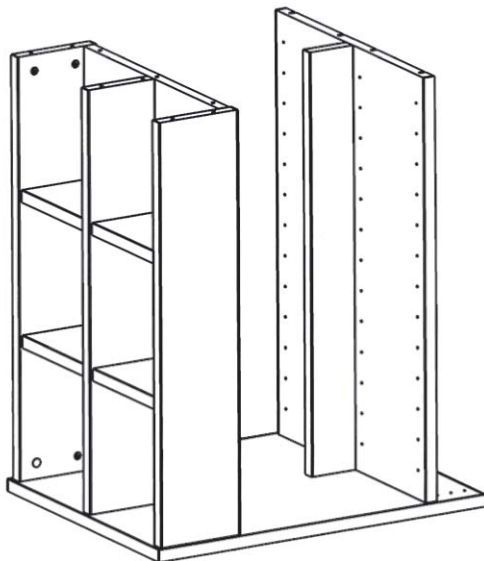
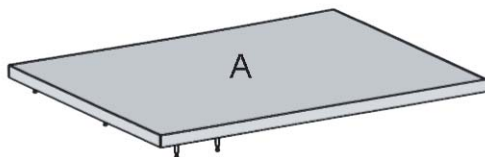
Attach the Lower Assembly as shown. Using a #3 Phillips screwdriver, turn the rotating portion of the Rafix Cam (H1) ¼ turn clockwise to secure.

**IMPORTANT! Do not exceed ¼ turn when tightening.**



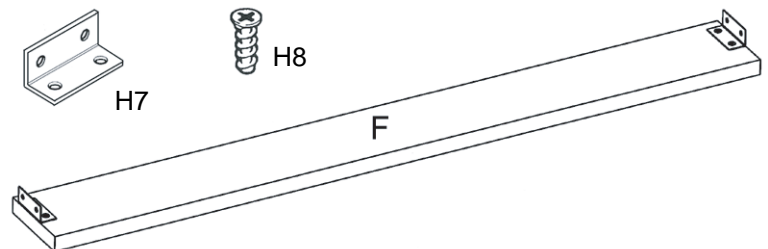
**#13**

Attach the other Side Panel (A) as shown. Tighten the seven Minifix Cams and four Rafix Cams.



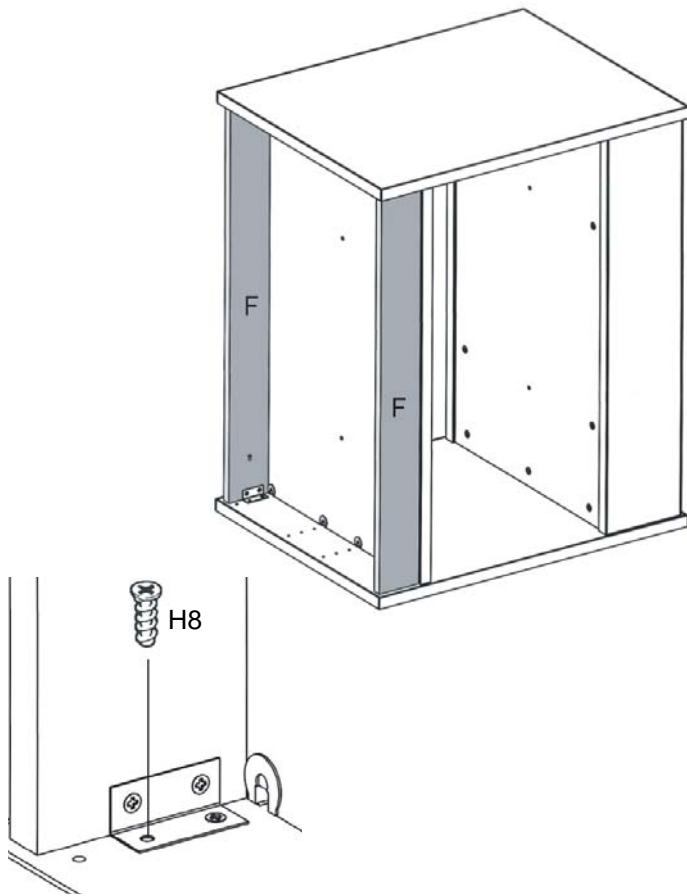
**#14**

Attach two Angle Brackets (H7) to each of the two Toeboards (F) as shown, using four Varianta Screws (H8).



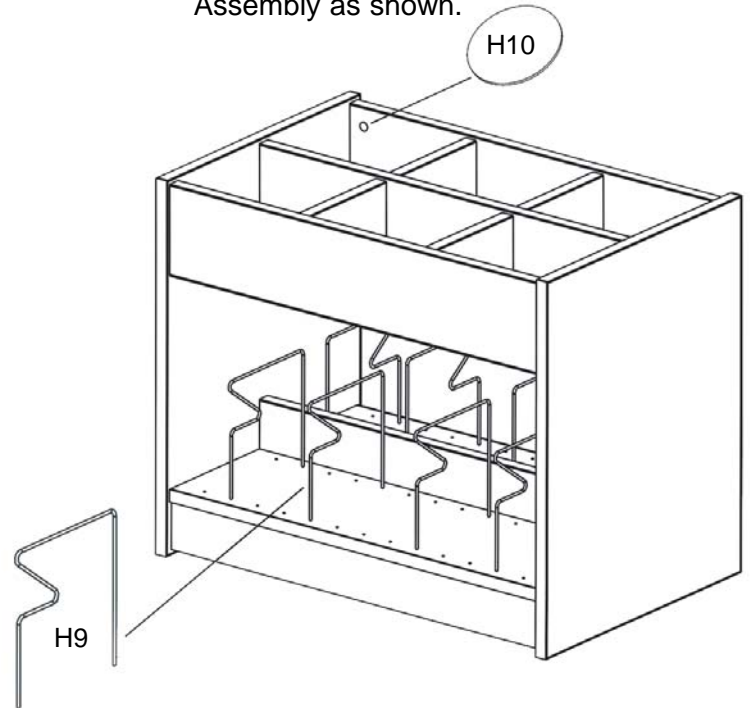
**#15**

Attach the Toeboards (F) to the unit as shown, using four Varianta Screws (H8).



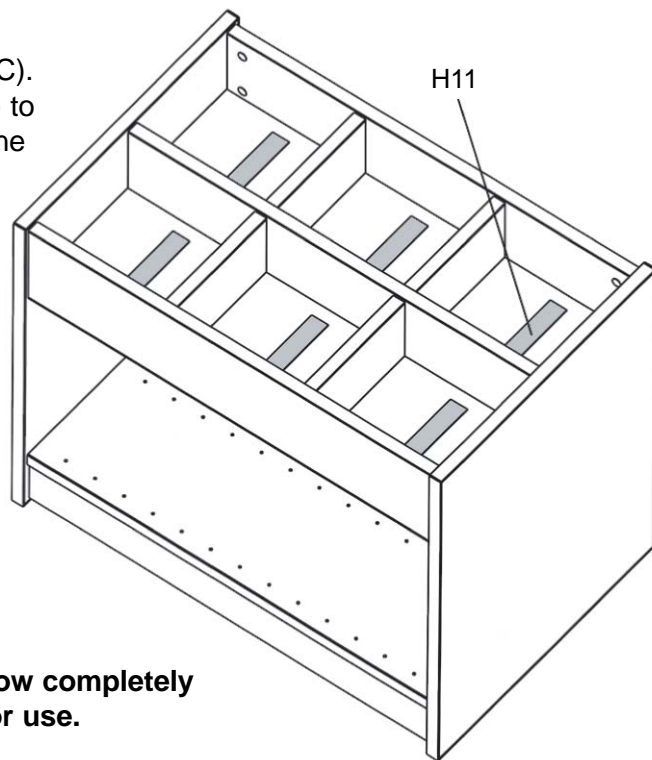
**#16**

Stand the unit upright. Insert the eight Divider Wires (H9) into the top of the Bottom Shelf as needed. Attach twelve of the Adhesive Caps (H10) over the exposed Minifix Cams on the Upper Assembly as shown.



**#17**

Clean the top surface of the Top Shelf (C). Attach six lengths of Friction Tape (H11) to the top (dry) surface of the Top Shelf, one in each section as shown.



**Your Glacier Book Browser is now completely assembled and ready for use.**