

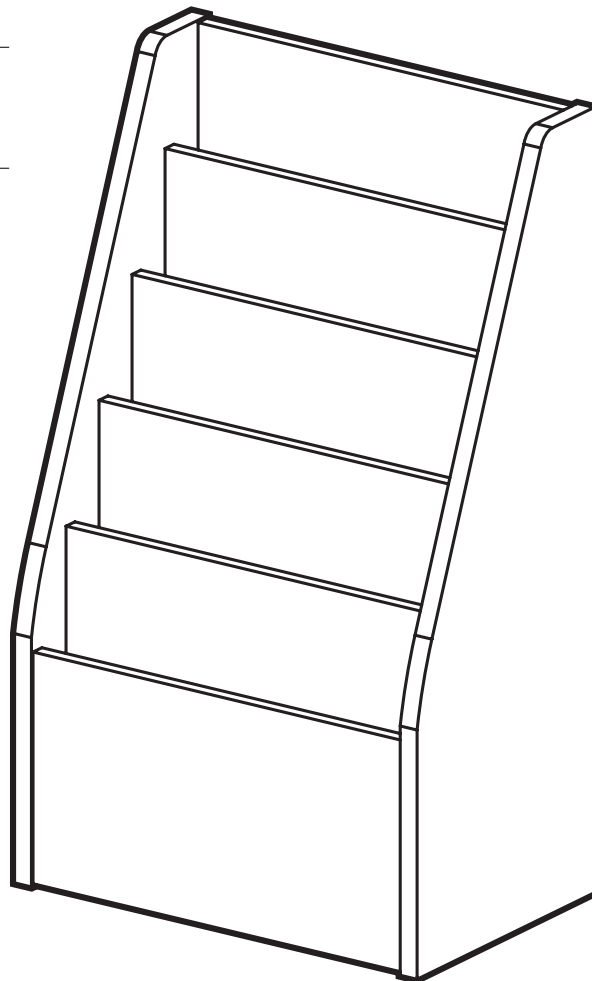


BY  **IRONWOOD**

LIBRARY FURNITURE

LFMD

FREESTANDING MAGAZINE DISPLAY



IMPORTANT!

Assembly may require the assistance of another person.

Before you begin assembly:

READ THE DIRECTIONS all the way through one time. This will speed up the process and help you understand the sequence of steps.

COUNT THE PARTS AND HARDWARE before assembly. This ensures you have received all necessary parts before you begin.

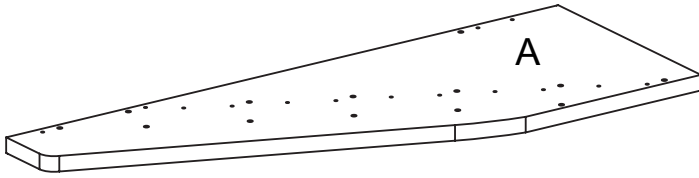
TOOLS: You may need a Phillips head screwdriver, a medium slotted screwdriver or a plastic mallet. To protect your new furniture from damage during assembly, it is recommended to work on a carpeted surface.

In the event any parts are missing from this package, send your name, address, telephone number, and a description of the missing part(s) to: **PARTS, Box 1420, Missoula, MT 59806** or call: **1-800-769-5693** or **FAX 1-800-445-5281**.

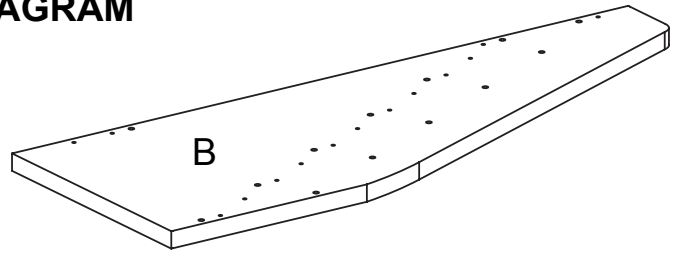
CAUTION: On assemblies requiring glue, make sure the unit is assembled correctly before gluing. Once this unit is assembled with glue, the manufacturer will not be responsible for damaged parts. Keep a damp cloth or sponge handy to wipe off excess glue.

To care for this furniture, simply wipe with a cloth dampened with glass cleaner containing ammonia-D.

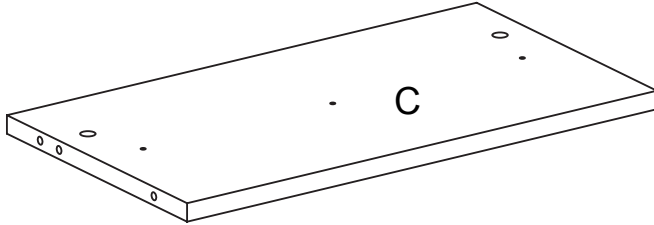
PARTS DIAGRAM



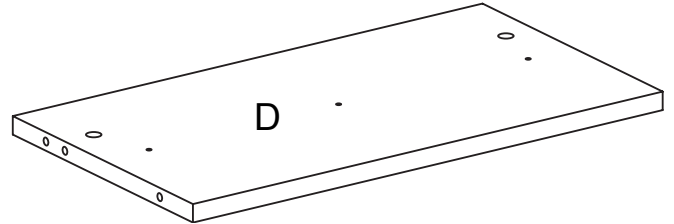
Left Panel	07010642	1 ea.
------------	----------	-------



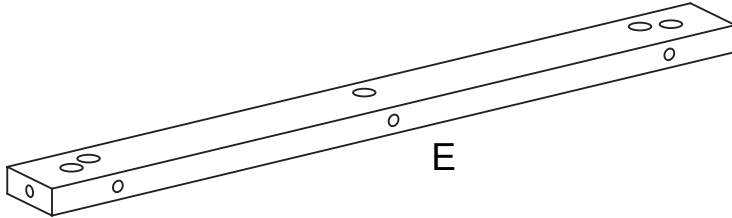
Right Panel	07010642	1 ea.
-------------	----------	-------



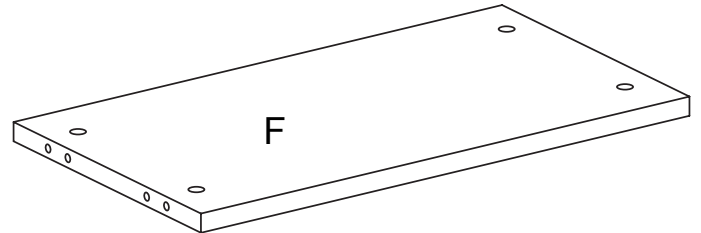
Front Panel	07010680	1 ea.
-------------	----------	-------



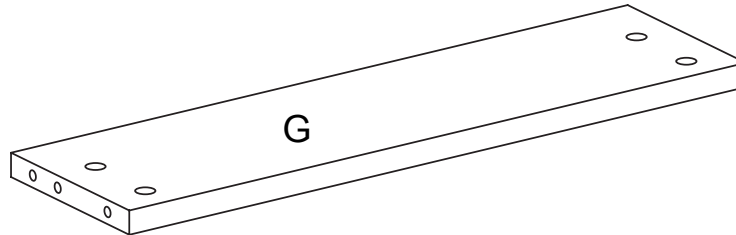
Magazine Back	07010680	4 ea.
---------------	----------	-------



Shelf Panel	07010636	5 ea.
-------------	----------	-------



Back Panel	07010657	1 ea.
------------	----------	-------



Back Spanner	07010660	1 ea.
--------------	----------	-------

PARTS DIAGRAM



H2	Minifix Cam	909810	43 ea.
----	-------------	--------	--------



H3	Minifix Bolt	909834	43 ea.
----	--------------	--------	--------

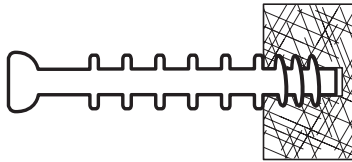


H1	Wood Dowel	195000	26 ea.
----	------------	--------	--------

Using the Minifix System:

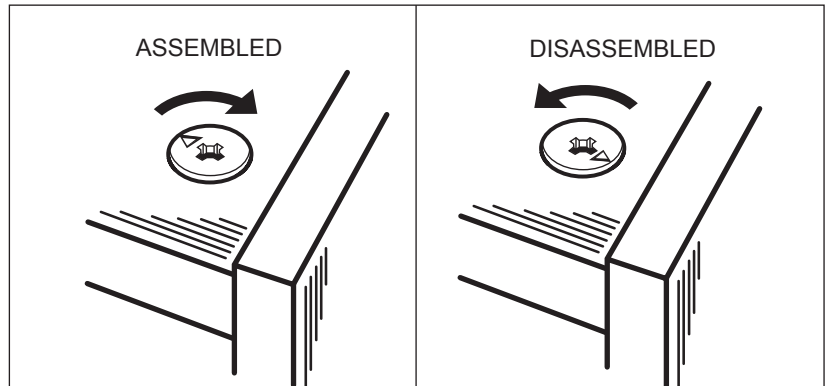
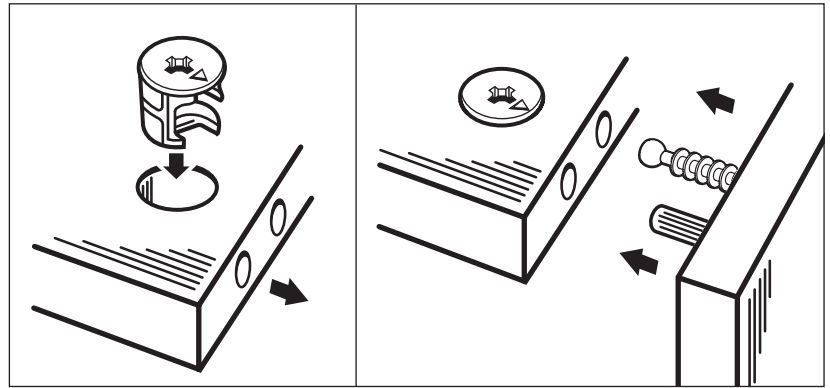
Insert the Minifix Cams into the appropriate holes with the arrow facing outwards as shown.

When screwing post into hole, **Do Not** over tighten. Screw post down until bottom face of post flange just touches board surface.



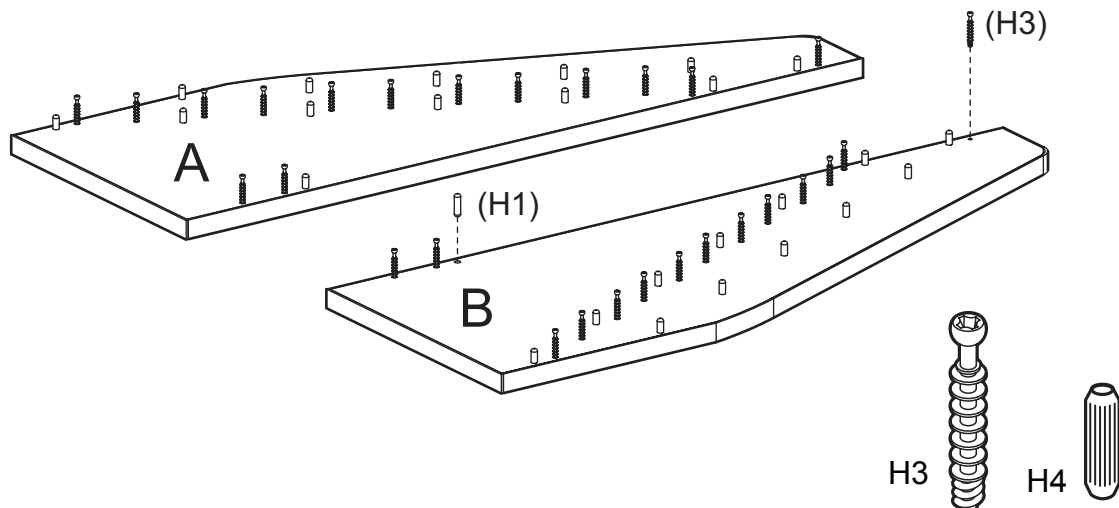
Using the #2 Phillips screwdriver, rotate the Cam Devices a half turn clockwise until snug.

To disassemble, turn the Cam Devices counter-clockwise and remove panels.



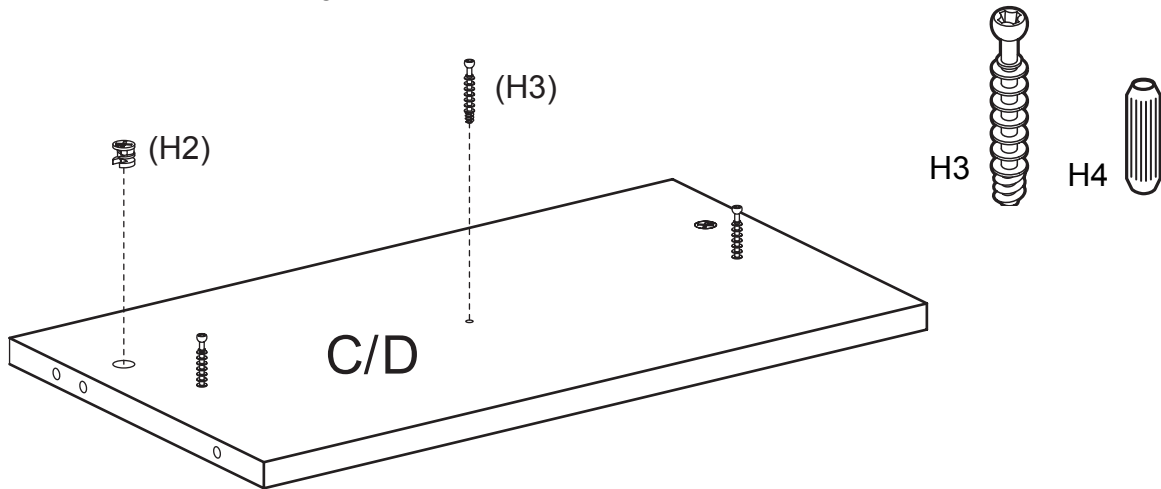
#1

Screw in Minifix Bolts (H3) and push in Wooden Dowels (H1) to Right Panel (B) and Left Panel (A).



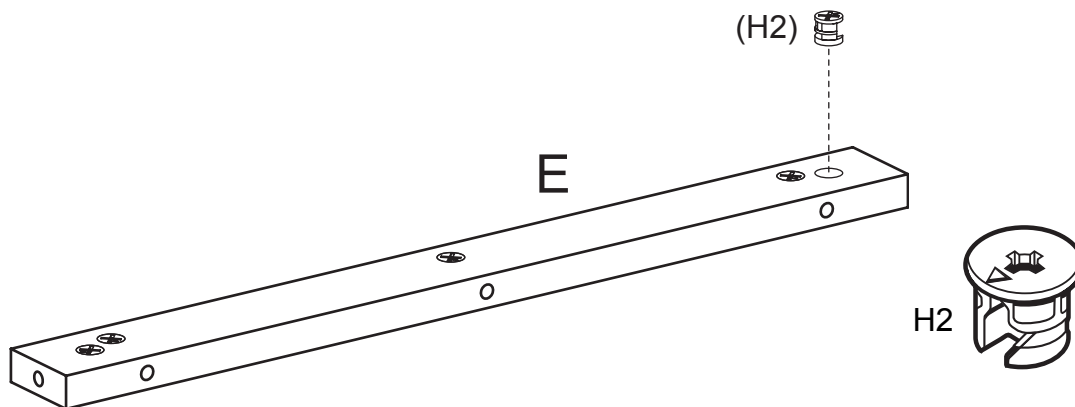
#2

Screw in Minifix Bolts (H3) and push in Minifix Cam (H2) to Front Panel (C) and Magazine Back Panel (D).



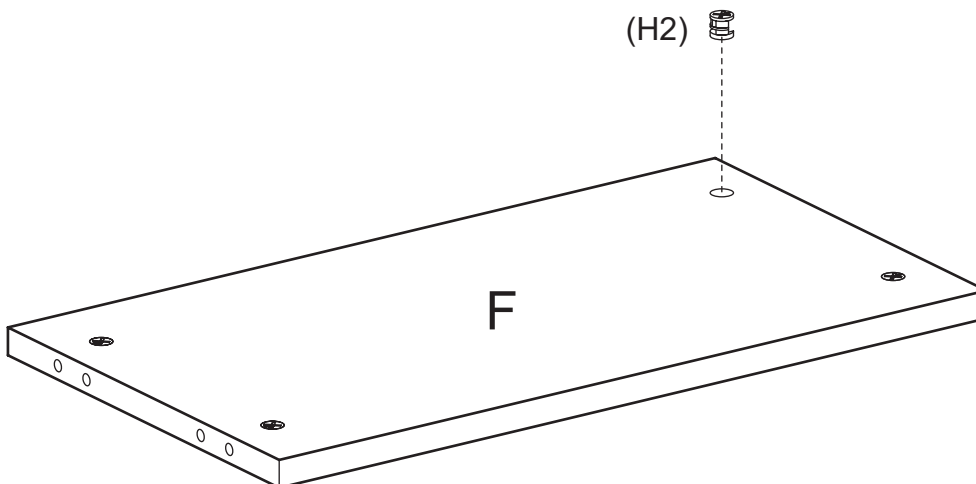
#3

Push in Minifix Cams (H2) into Shelf Panel (E).



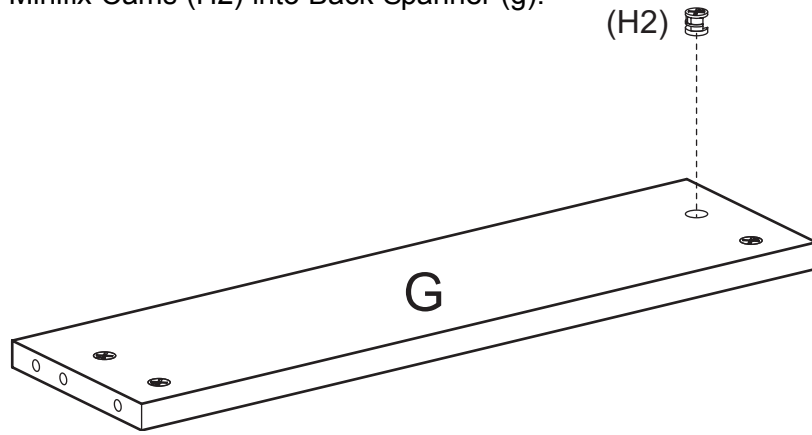
#4

Push in Minifix Cams (H2) into Back Panel (F).



#5

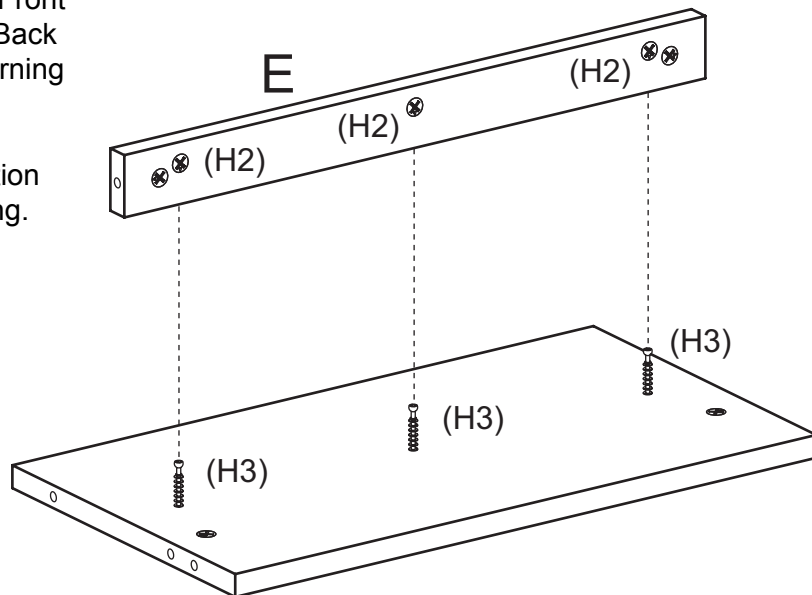
Push in Minifix Cams (H2) into Back Spanner (g).



#6

Attach Shelf Panel (E) to Front Panel (C) and Magazine Back (D). Secure in place by turning Minifix Cams (H2).

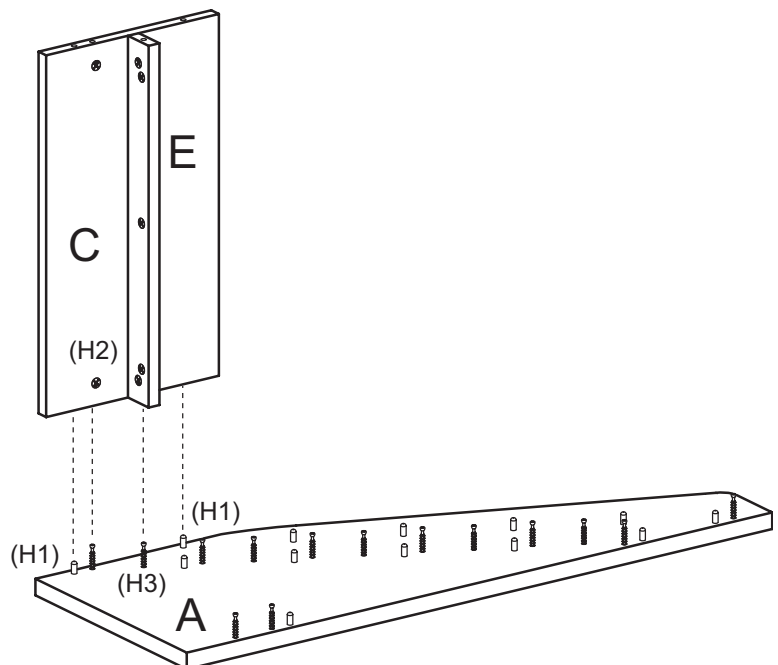
Note: Observe the direction the Minifix Cams are facing.



#7

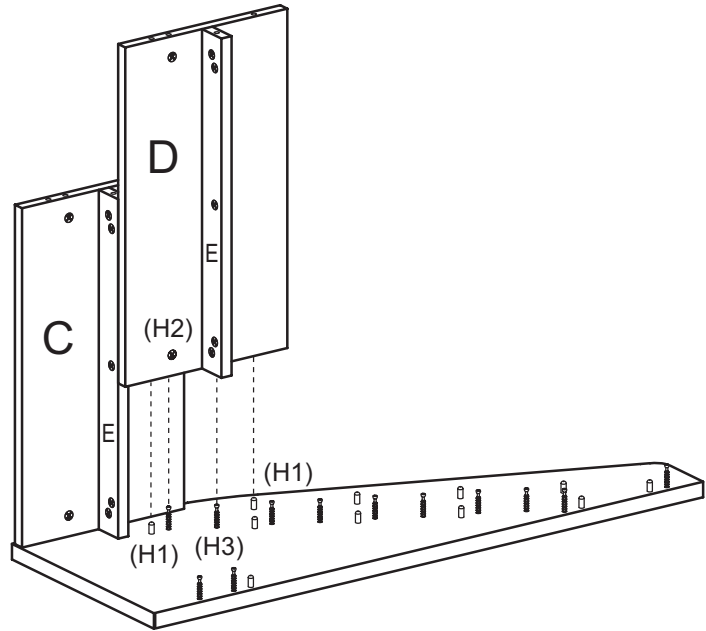
Attach Front Panel (C) and Shelf Panel (D) to Left Panel (A). Secure in place by turning Minifix Cams (H2).

Note: Must start with Front Panel and work towards the back.



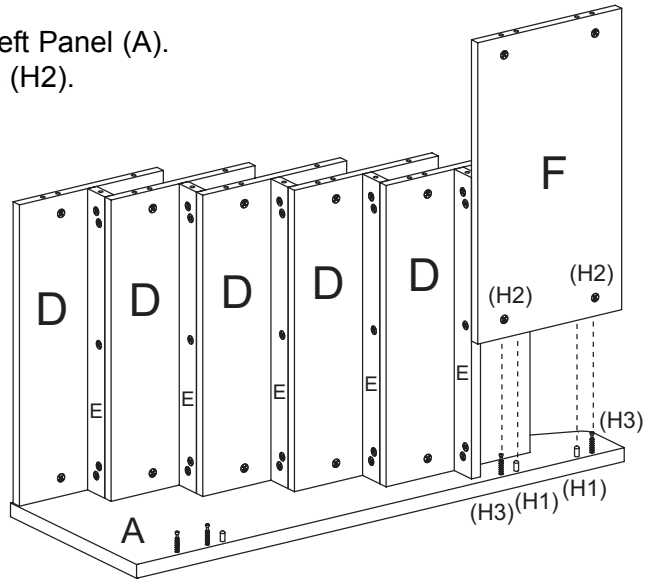
#8

Attach Magazine Back Panel (D) and Shelf Panel (A). Secure by turning Minifix Cam (H2). Repeat with the remaining 3 Magazine Back/Shelf sub assemblies.



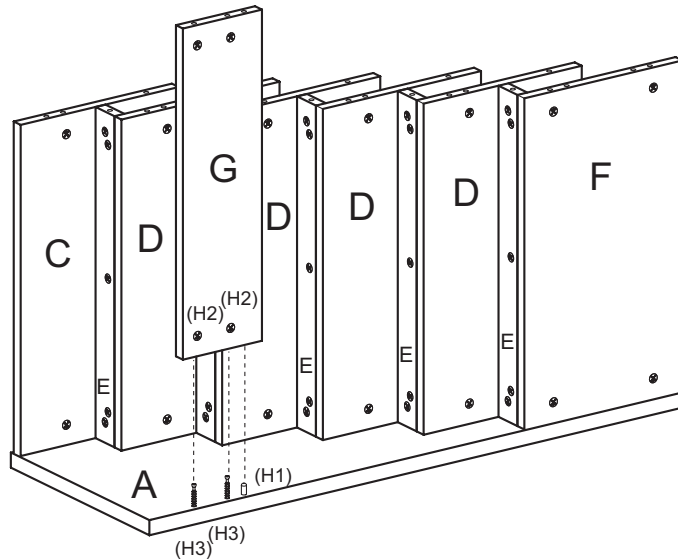
#9

Attach Back Panel (F) to Left Panel (A). Secure using Minifix Cams (H2).



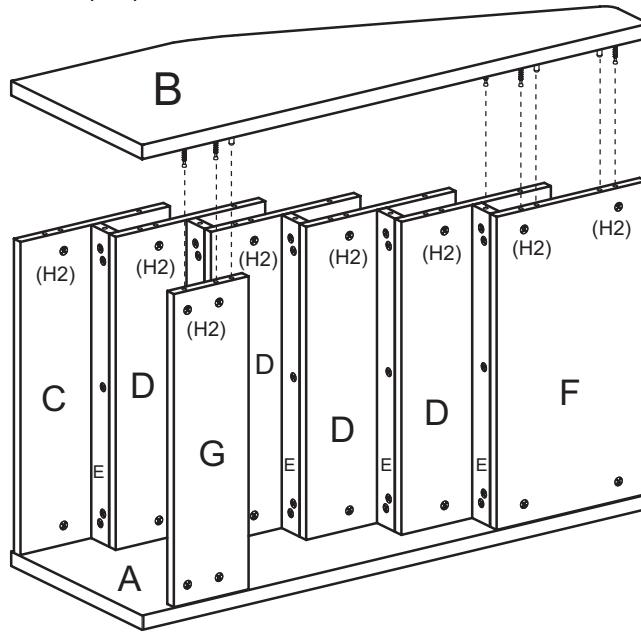
#10

Attach Spanner (G) to Left Panel (A). Secure by turning Minifix Cams (H2).



#11

Attach Right Panel (B) to unit.
Secure using Minifix Cams (H2).



#12

Stand upright, assembly
is complete.

