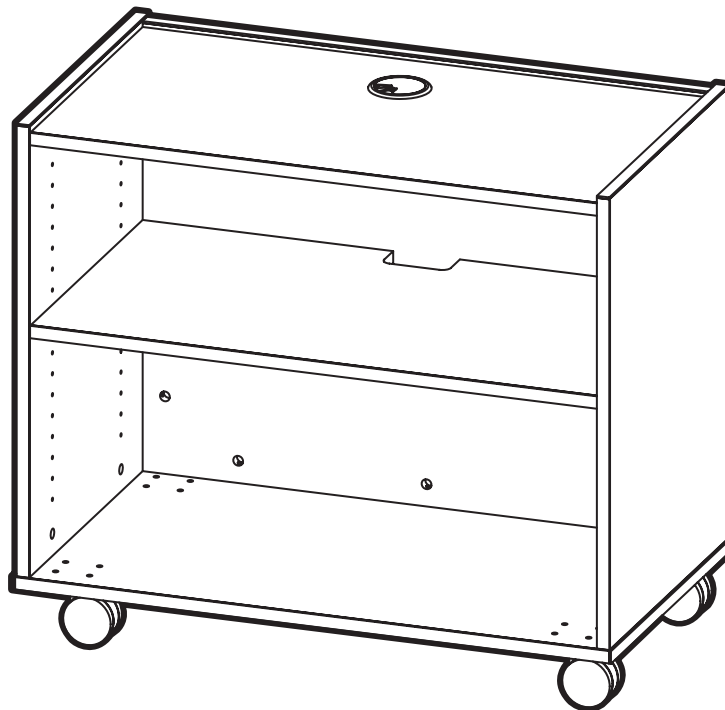




BY  **IRONWOOD**

LPC

LECTERN PROJECTOR CART



IMPORTANT!

Assembly may require the assistance of another person.

Before you begin assembly:

READ THE DIRECTIONS all the way through one time. This will speed up the process and help you understand the sequence of steps.

COUNT THE PARTS AND HARDWARE before assembly. This ensures you have received all necessary parts before you begin.

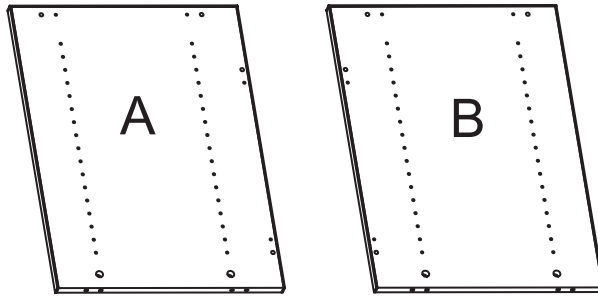
TOOLS: You may need a Phillips head screwdriver, a medium slotted screwdriver or a plastic mallet. To protect your new furniture from damage during assembly, it is recommended to work on a carpeted surface.

In the event any parts are missing from this package, send your name, address, telephone number, and a description of the missing part(s) to: **PARTS, Box 1420, Missoula, MT 59806** or call: **1-800-769-5693** or **FAX 1-800-445-5281**.

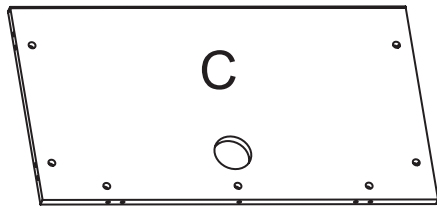
CAUTION: On assemblies requiring glue, make sure the unit is assembled correctly before gluing. Once this unit is assembled with glue, the manufacturer will not be responsible for damaged parts. Keep a damp cloth or sponge handy to wipe off excess glue.

To care for this furniture, simply wipe with a cloth dampened with glass cleaner containing ammonia-D.

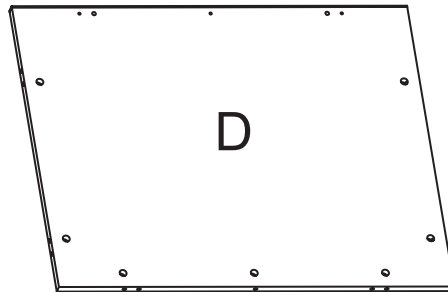
PARTS DIAGRAM



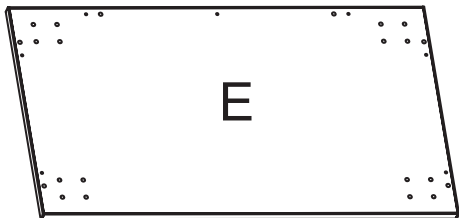
Left Side - A	01050342	1 ea.
Right Side - B	01050343	



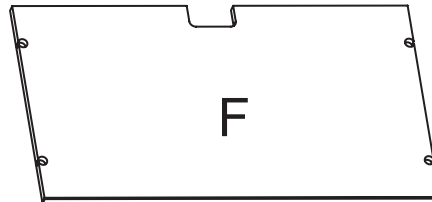
Top	01050301	1 ea.
-----	----------	-------



Back	01050352	1 ea.
------	----------	-------



Bottom	01050311	1 ea.
--------	----------	-------

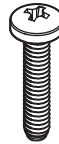


Shelf	01050327	1 ea.
-------	----------	-------

HARDWARE



H1	Wood Dowels	195000	16 ea.
----	-------------	--------	--------



H6	Panhead Screw	902205	16 ea.
----	---------------	--------	--------



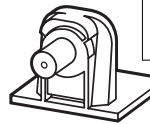
H2	Minifix Bolt	909834	18 ea.
----	--------------	--------	--------



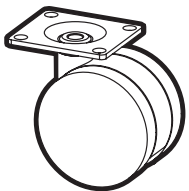
H7	Flange Lock Nut	H2380	16 ea.
----	-----------------	-------	--------



H3	Minifix Cam	909810	18 ea.
----	-------------	--------	--------



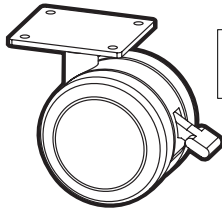
H8	Tab-V Shelf Clip	909932	4 ea.
----	------------------	--------	-------



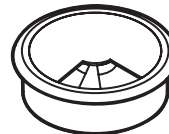
H4	Swivel Caster	402640	2 ea.
----	---------------	--------	-------



H9	Tab-V Plastic Housing	909930	4 ea.
----	-----------------------	--------	-------



H5	Locking Caster	402650	2 ea.
----	----------------	--------	-------

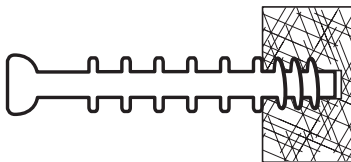


H10	Grommet	H1480	1 ea.
-----	---------	-------	-------

Using the Minifix System:

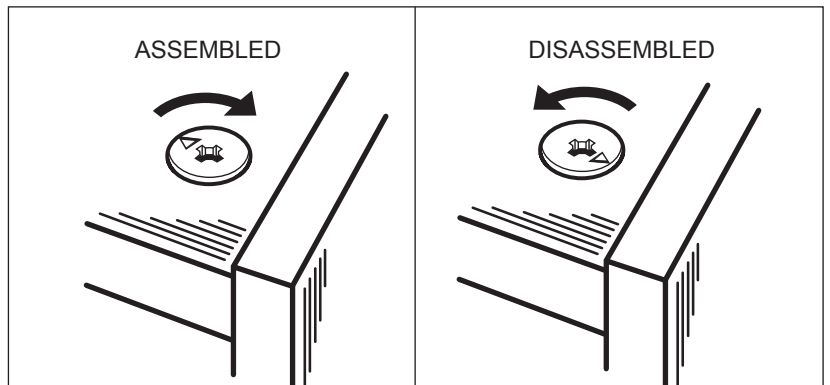
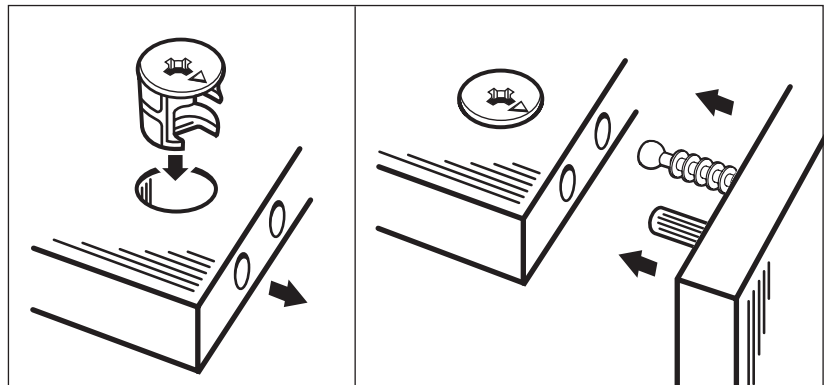
Insert the Minifix Cams into the appropriate holes with the arrow facing outwards as shown.

When screwing post into hole, **Do Not** over tighten. Screw post down until bottom face of post flange just touches board surface.



Using the #2 Phillips screwdriver, rotate the Cam Devices a half turn clockwise until snug.

To disassemble, turn the Cam Devices counter-clockwise and remove panels.

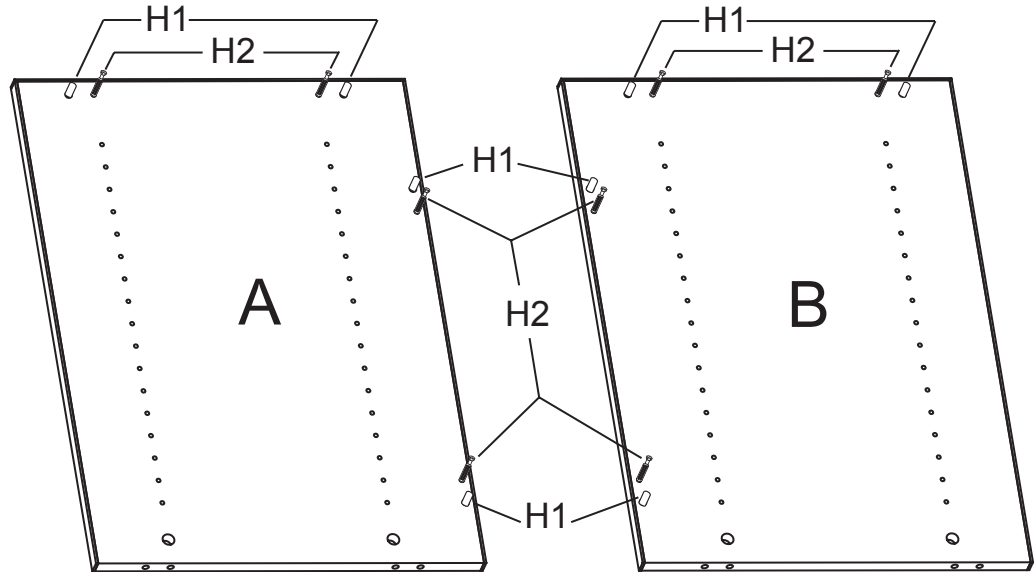


#1a

Push eight Wood Dowels (H1) into the pre-drilled holes in the Side Panels (A & B) as shown.

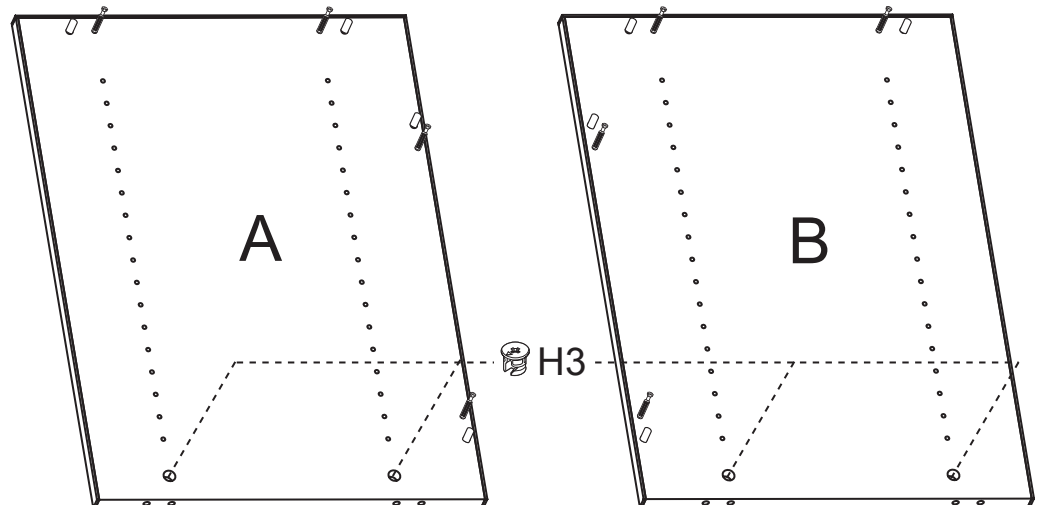


Screw eight Minifix Bolts (H2) into the pre-drilled holes in the Side Panels (A & B) as shown.



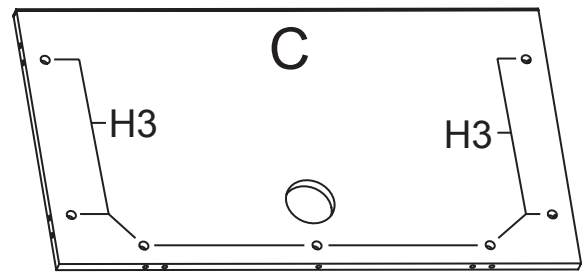
#1b

Insert four Minifix Cams (H3) into the pre-drilled holes in the Side Panels (A & B) as shown. Be sure that the arrows on the cams are pointing out toward the near edge of the panel.

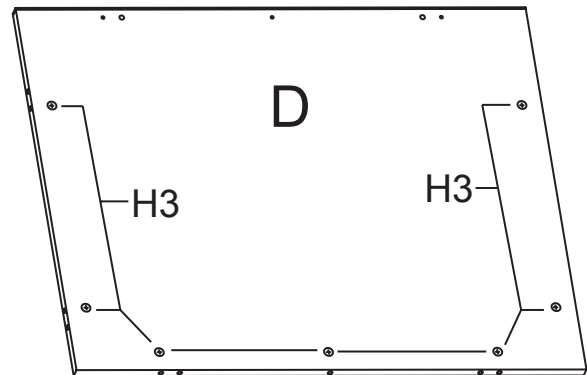


#2

Insert seven Minifix Cams (H3) into the pre-drilled holes in the Top Panel (C) as shown. Be sure the arrows on the cams are pointing out.

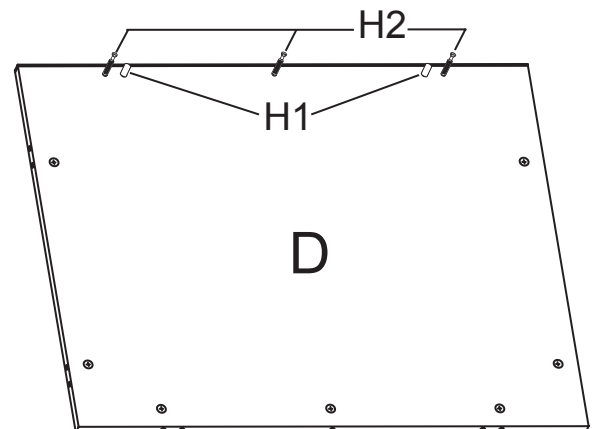
**#3a**

Insert seven Minifix Cams (H3) into the pre-drilled holes in the Back Panel (D) as shown. Be sure the arrows on the cams are pointing out.

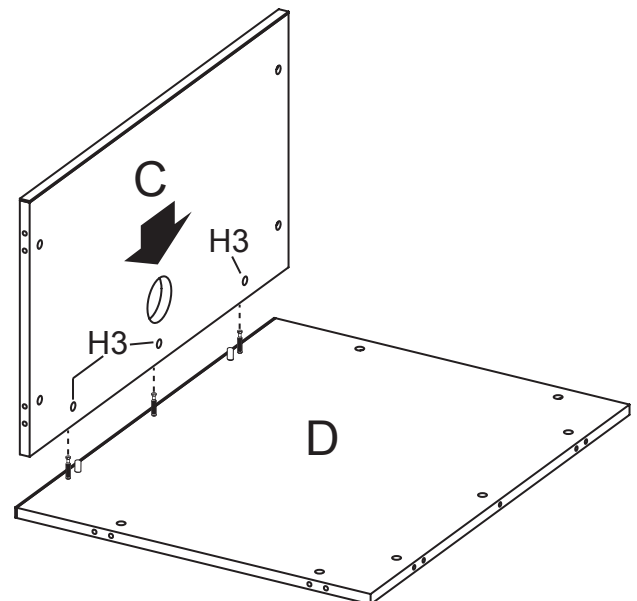
**#3b**

Insert two Wood Dowels (H1) into the pre-drilled holes in the Back Panel (D) as shown.

Screw three Minifix Bolts (H2) into the pre-drilled holes in the Back Panel as shown.

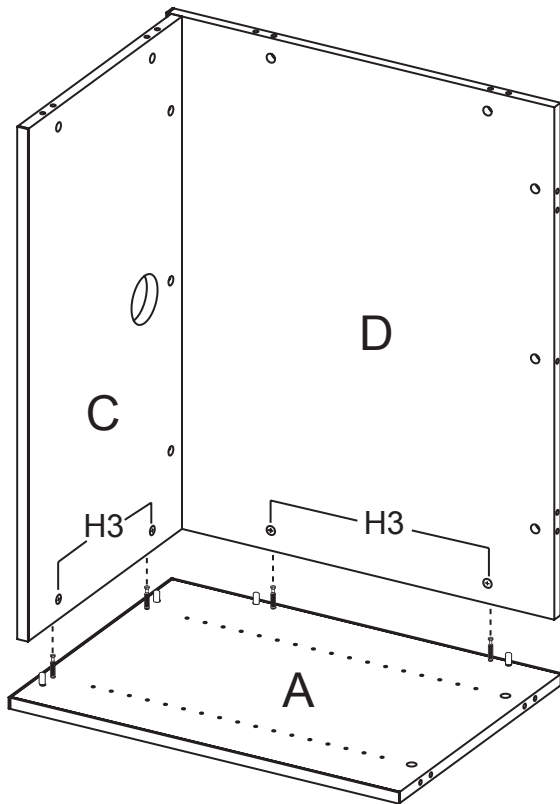
**#4**

Place the Top Panel (C) so that the Minifix Cams (H3) are seated onto the corresponding Minifix Bolts (H2) on the Back Panel (D) as shown. Turn the Cams clockwise to secure the two panels together.



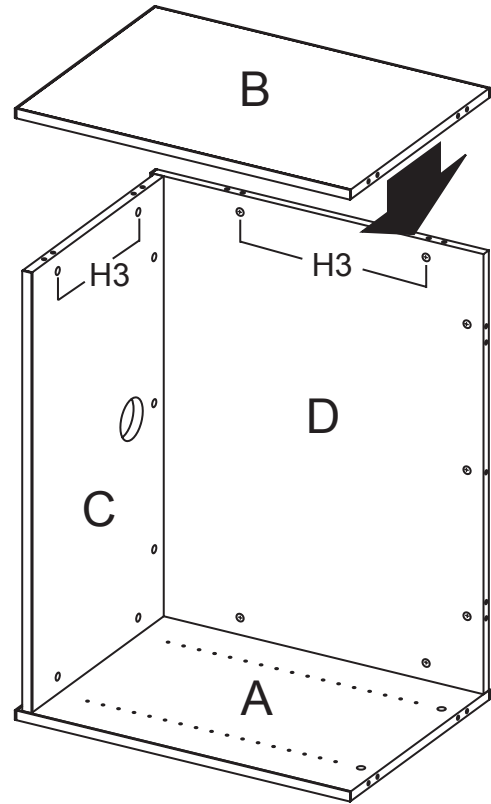
#5

With the assistance of another person, place the Top-Back assembly onto the Left Side Panel (A), seating the Minifix Cams (H3) of the panels onto the corresponding Minifix Bolts (H2) in the Side Panel as shown. Turn the four Cams clockwise to secure the assembly.



#6

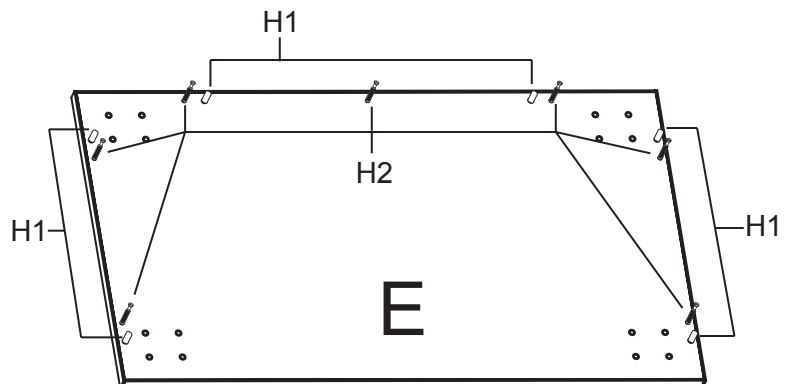
Place the Right Side Panel (B) onto the assembly, seating the Minifix Bolts into the corresponding Cams (H3) of the Top (C) and the Back (D). Turn the four Cams clockwise to secure.



#7

Place the Bottom Panel (E) with the "inside" set of holes facing up. Push six Wood Dowels (H1) into the pre-drilled holes as shown.

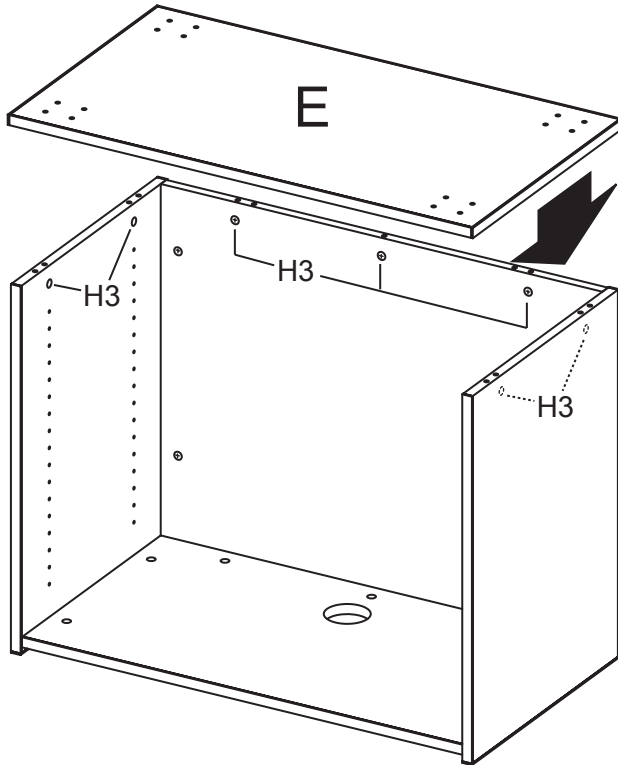
Screw seven Minifix Bolts (H2) into the pre-drilled holes as shown.



#8

With the assistance of another person, set the assembly with the Top (C) down.

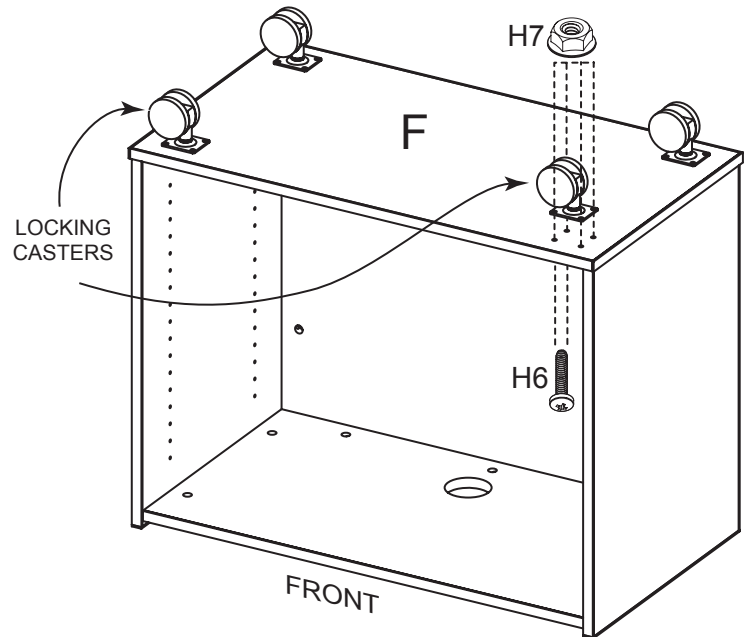
Place the Bottom Panel (E) on the assembly, seating the Bolts into the corresponding Cams in the Side (A & B) and Back (D) Panels. Turn all seven cams clockwise to secure.

**#9**

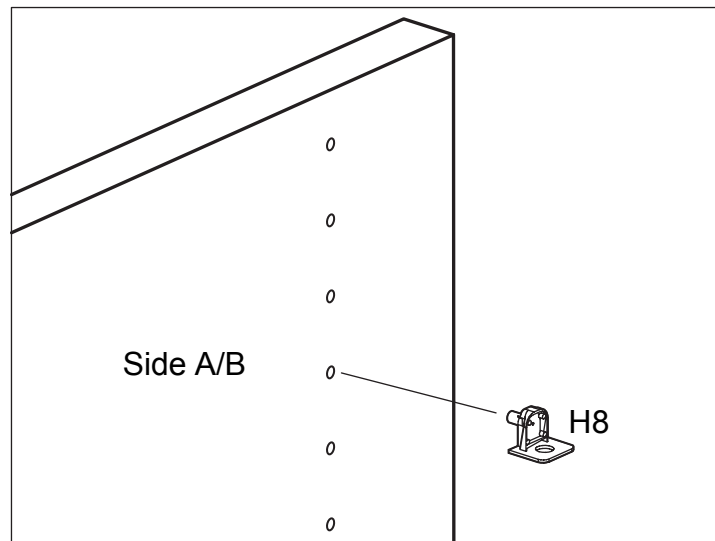
Install the four Casters to the Bottom. Position the two Locking Casters (H5) at the front of the unit, and the two Swivel Casters (H4) at the back of the unit.

Attach the Casters in place by screwing 16 Panhead Screws (H6) into the pre-drilled holes from the inside.

Tighten the Flange Lock Nuts (H7) from the Caster Wheel side to secure the Caster plates to the assembly as shown.

**#10**

With the assistance of another person, turn the unit upright. Determine the height for the Shelf (F). Push four Tab-V Shelf Pins (H8) into the pre-drilled holes at the chosen height.



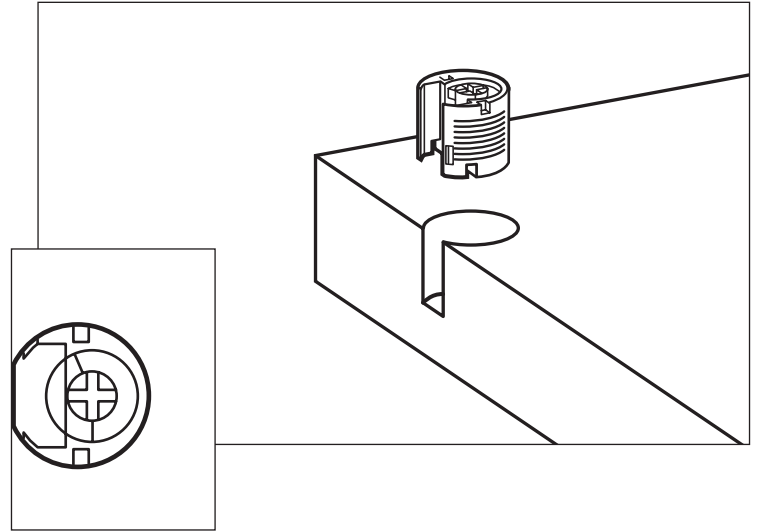
#11

Install four Tab-V Plastic Housings (H9) into the Shelf (F). Using a plastic mallet, tap the plastic housings into the pre-drilled holes. Make sure that the flat edge faces outwards and is flush with the surface.

IMPORTANT! The flat edge of the plastic housing must be aligned with the shelf edge. Plastic Housings cannot be repositioned once installed.

FLAT
EDGE →

↑
ALIGNED

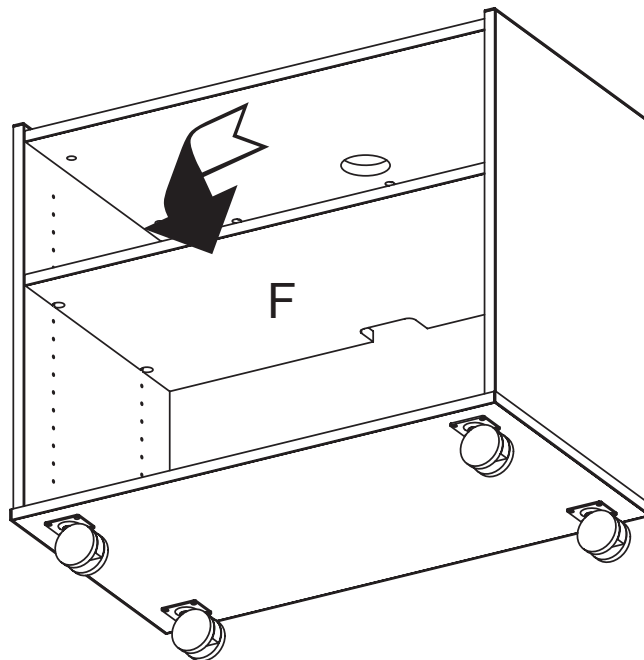
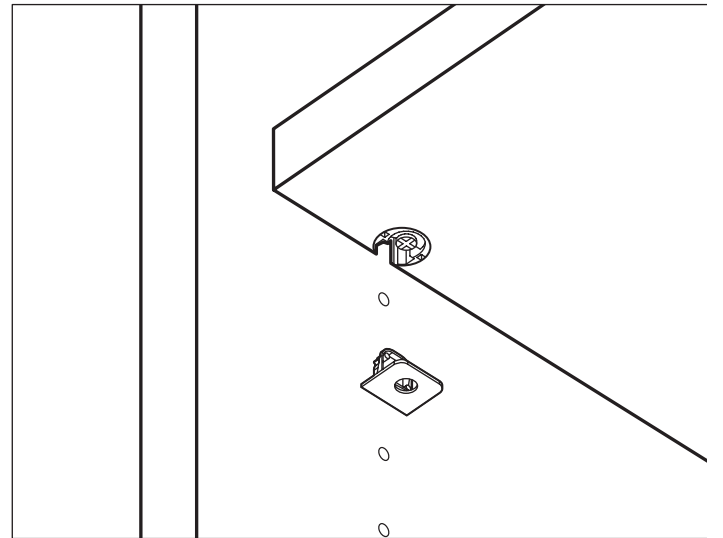


#12

Slide the Shelf (F) into place over the Shelf Pins (H8) and push down until fully seated.

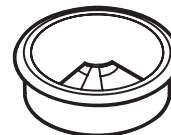
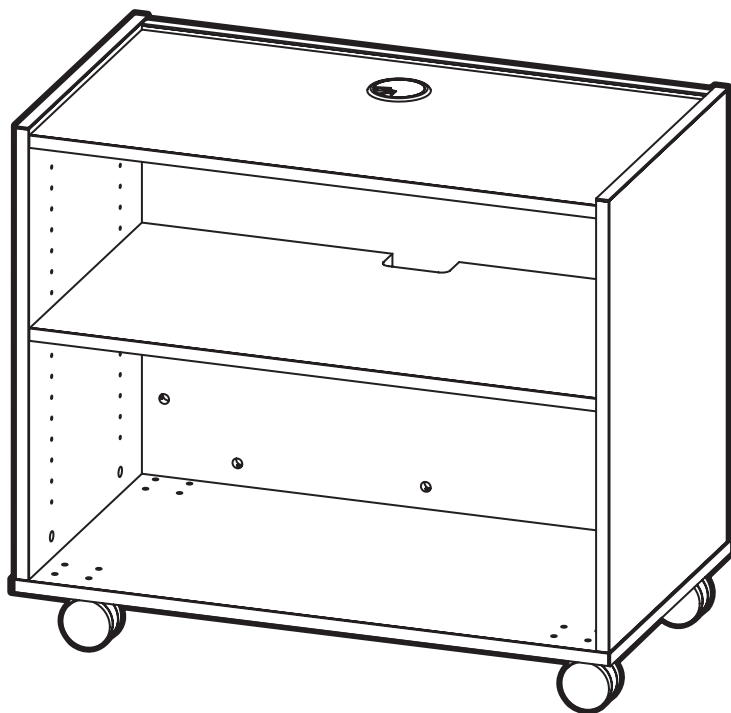
Turn the rotating portion (Cam) 1/2 turn to lock in place.

To remove, simply turn the Cam counter clockwise 1/2 turn and lift the shelf off of the Shelf Pins.



#13

Insert the Round Grommet (H10) into the hole on the top.



H10

The Projector Cart is now fully assembled and ready for use.

The Projector Cart may also be used with the "Teacher's Cart Lectern (TCL) as shown below.

