

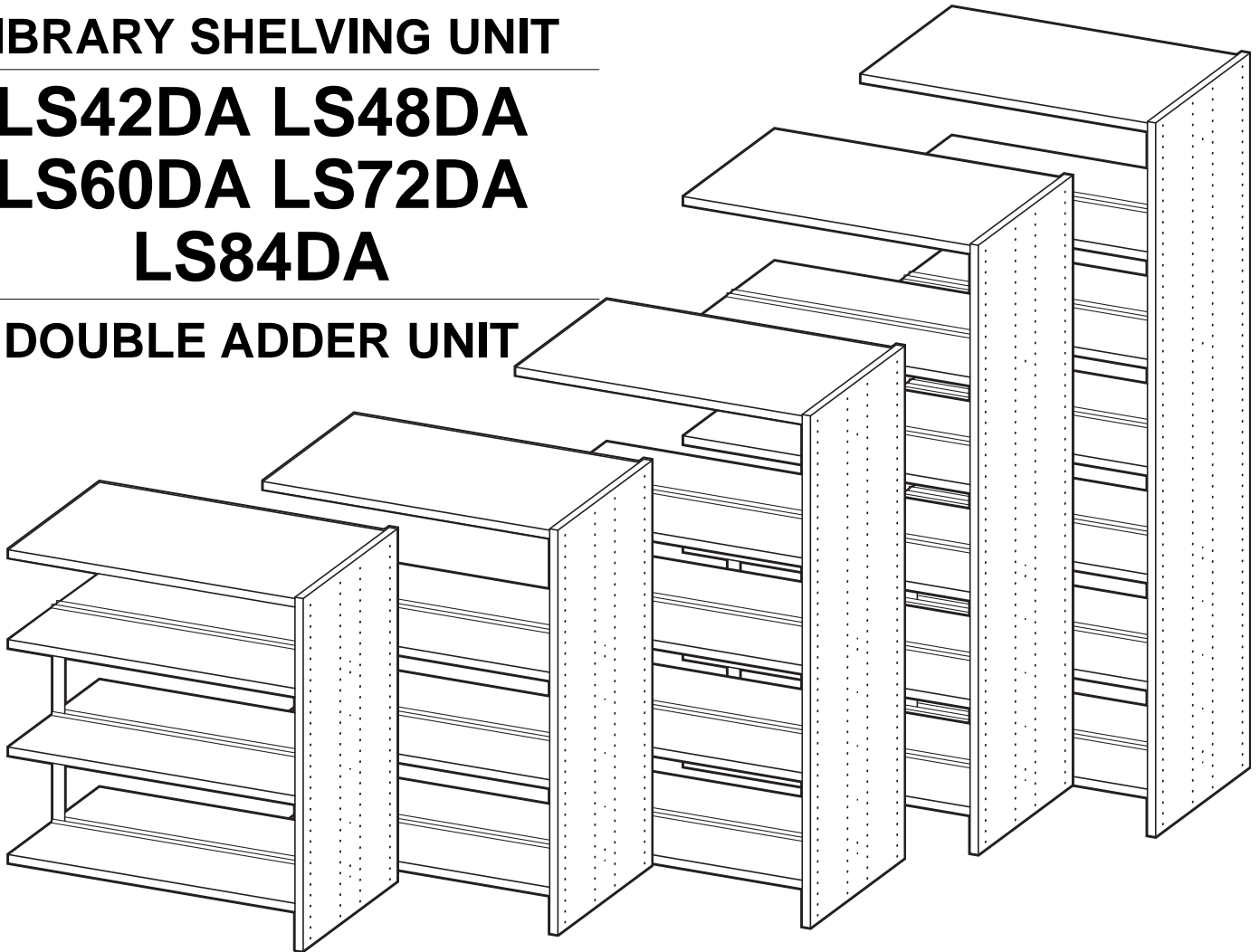


BY  **IRONWOOD**

LIBRARY SHELVING UNIT

**LS42DA LS48DA
LS60DA LS72DA
LS84DA**

DOUBLE ADDER UNIT



IMPORTANT!

Assembly may require the assistance of another person.

Before you begin assembly:

READ THE DIRECTIONS all the way through one time. This will speed up the process and help you understand the sequence of steps.

COUNT THE PARTS AND HARDWARE before assembly. This ensures you have received all necessary parts before you begin.

TOOLS: You may need a Phillips head screwdriver, a medium slotted screwdriver or a plastic mallet. To protect your new furniture from damage during assembly, it is recommended to work on a carpeted surface.

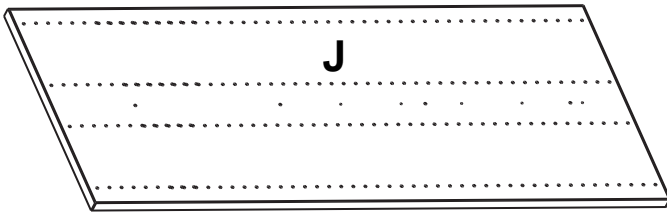
In the event any parts are missing from this package, send your name, address, telephone number, and a description of the missing part(s) to: **PARTS, Box 1420, Missoula, MT 59806** or call: **1-800-769-5693** or **FAX 1-800-445-5281**.

CAUTION: On assemblies requiring glue, make sure the unit is assembled correctly before gluing. Once this unit is assembled with glue, the manufacturer will not be responsible for damaged parts. Keep a damp cloth or sponge handy to wipe off excess glue.

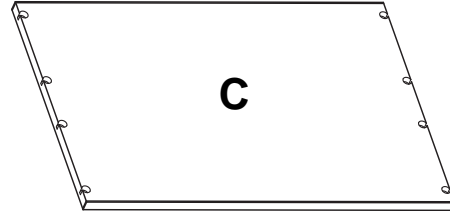
To care for this furniture, simply wipe with a cloth dampened with glass cleaner containing ammonia-D.

PARTS DIAGRAM

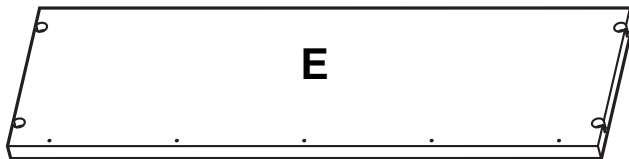
The diagram show one size for ease of viewing. Any differences will be indicated in each part's description.



Divider	LS42DA	01300144	1 ea.
	LS48DA	01300244	1 ea.
	LS60DA	01300344	1 ea.
	LS72DA	01300444	1 ea.
	LS84DA	01300544	1 ea.



Top	01300101	1 ea.
-----	----------	-------



Fixed/ Adjustable Shelf	LS42DA	01200124	6 ea.
	LS48DA		6 ea.
	LS60DA		8 ea.
	LS72DA		10 ea.
	LS84DA		12 ea.

HARDWARE



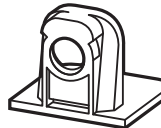
H1	Tab-V Plastic Housing	909930	LS42DA - 32 ea.
			LS48DA - 32 ea.
			LS60DA - 40 ea.
			LS72DA - 48 ea.
			LS84DA - 56 ea.



H2	Book Stop	412226	LS42DA - 6 ea.
			LS48DA - 6 ea.
			LS60DA - 8 ea.
			LS72DA - 10 ea.
			LS84DA - 12 ea.



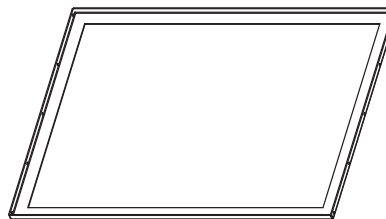
H3	# 8 x 5/8" Panhead Screw	988056	LS42DA - 40 ea.
			LS48DA - 40 ea.
			LS60DA - 50 ea.
			LS72DA - 60 ea.
			LS84DA - 70 ea.



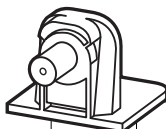
H4	Tab-V Metal Flange	909931	16 ea.
----	-----------------------	--------	--------



H5	Varianta Screw	988060	16 ea.
----	----------------	--------	--------



H6	Metal Frame	412026	1 ea.
----	-------------	--------	-------



H7	Tab-V Metal Shelf Clip	909932	LS42DA - 16 ea.
			LS48DA - 16 ea.
			LS60DA - 24 ea.
			LS72DA - 32 ea.
			LS84DA - 40 ea.

If you have purchased the Back option or the Toe Space option to be assembled in conjunction with this Base unit,

it is important to read through the Back option and/or Toe Space option directions before beginning.

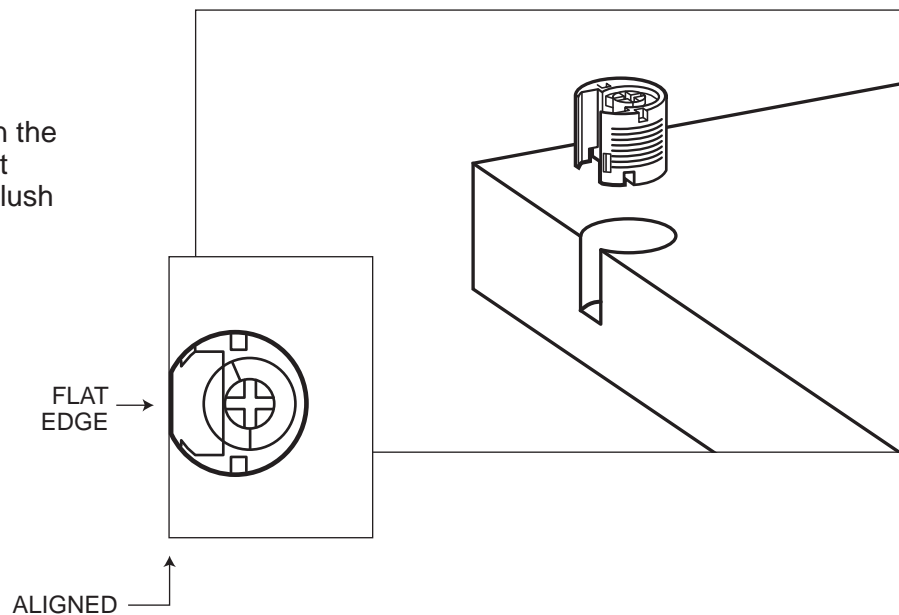
NOTE:

**The diagrams show one size for ease of viewing.
Any differences will be indicated in each step's text.**

USING THE TAB-V SYSTEM:

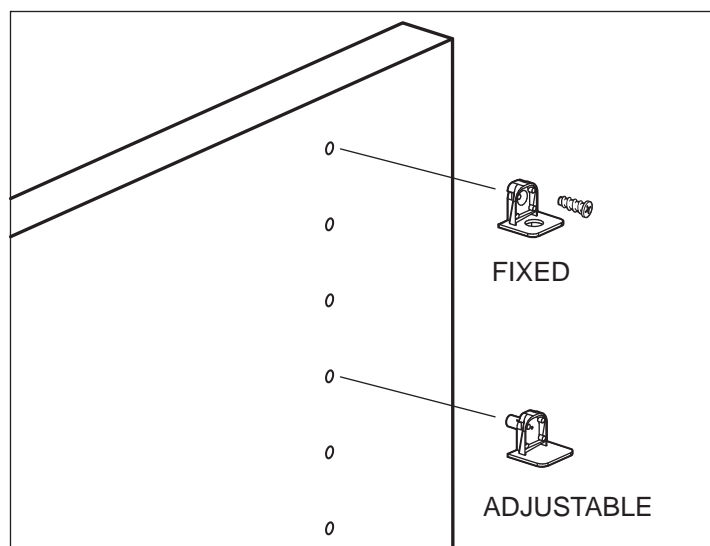
Using a plastic mallet, tap in the plastic housings with the flat edge facing outwards until flush with the surface.

IMPORTANT! The flat edge of the plastic housing must be aligned with the shelf edge. Plastic Housings cannot be repositioned once installed.



For a Fixed Shelf or Top, install the metal flange using a System (Varianta) Screw as shown. **DO NOT** over tighten!

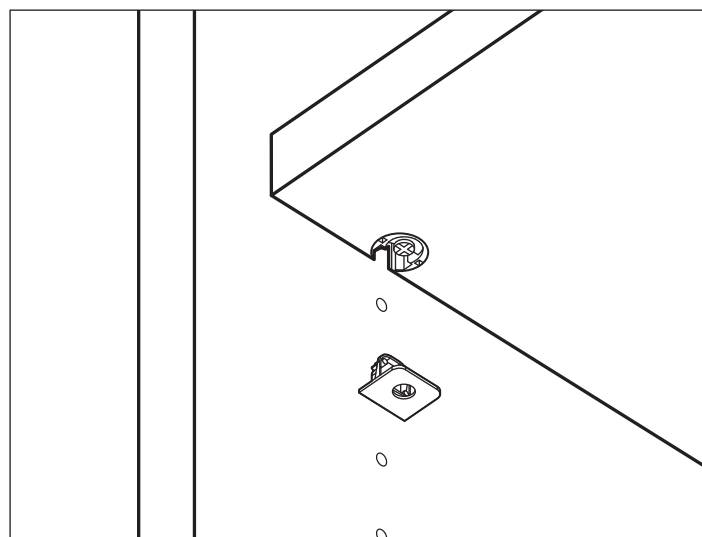
For an Adjustable Shelf, use the Metal Shelf Clip.



Slide the shelf into place over the Metal Flanges and push down until fully seated.

Turn the rotating portion (Cam) 1/2 turn to lock in place.

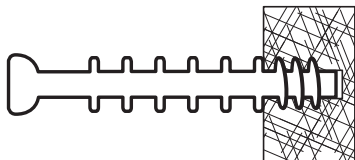
To remove, simply turn the Cam counter clockwise 1/2 turn and lift the shelf off of the Metal Flanges.



Using the Minifix System:

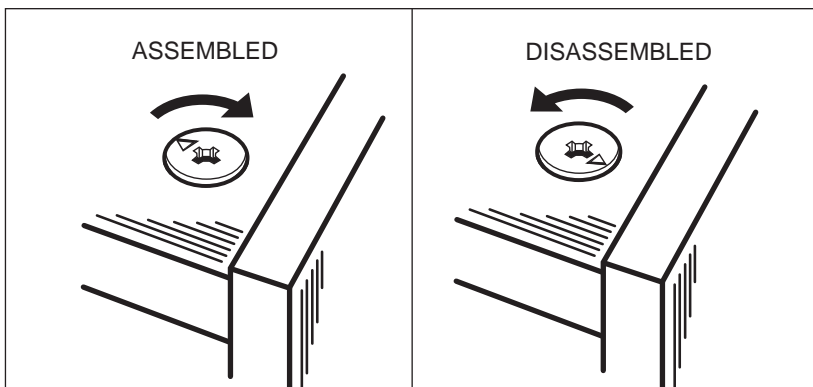
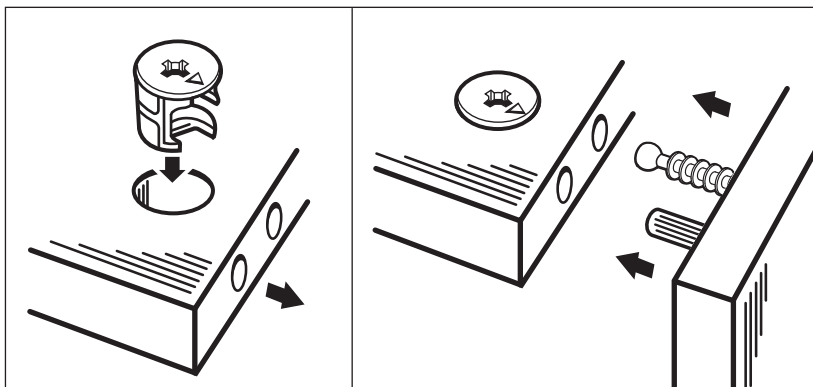
Insert the Minifix Cams into the appropriate holes with the arrow facing outwards as shown.

When screwing post into hole, **Do Not** over tighten. Screw post down until bottom face of post flange just touches board surface.



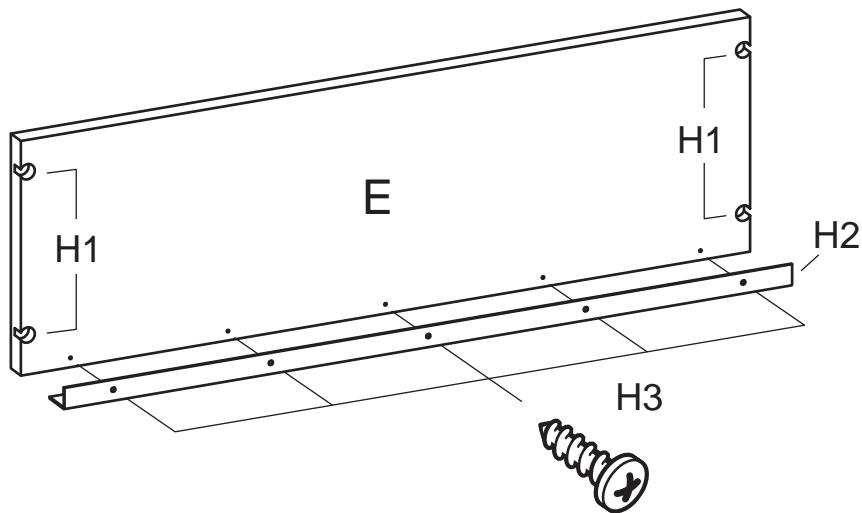
Using the #2 Phillips screwdriver, rotate the Cam Devices a half turn clockwise until snug.

To disassemble, turn the Cam Devices counter-clockwise and remove panels.



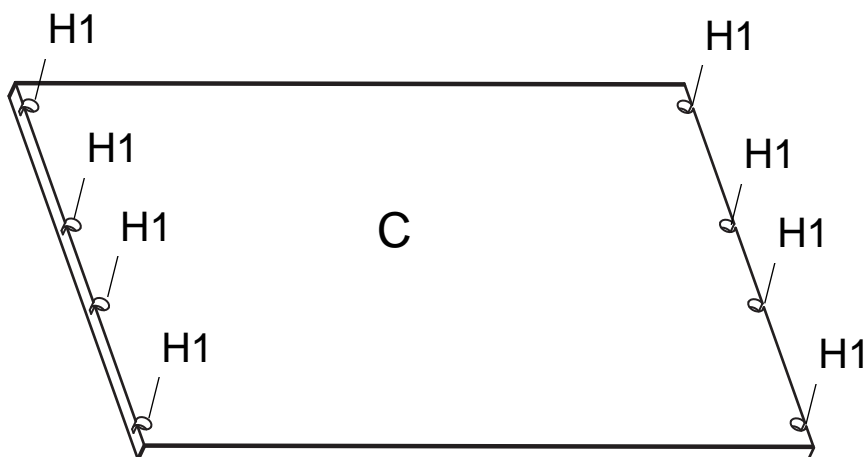
#1

Install four Plastic Housings (H1) into each shelf. Attach a Book Stop (H2) to each Fixed/Adjustable Shelf (E) using five Panhead Screws (H3) in the pre-drilled holes.



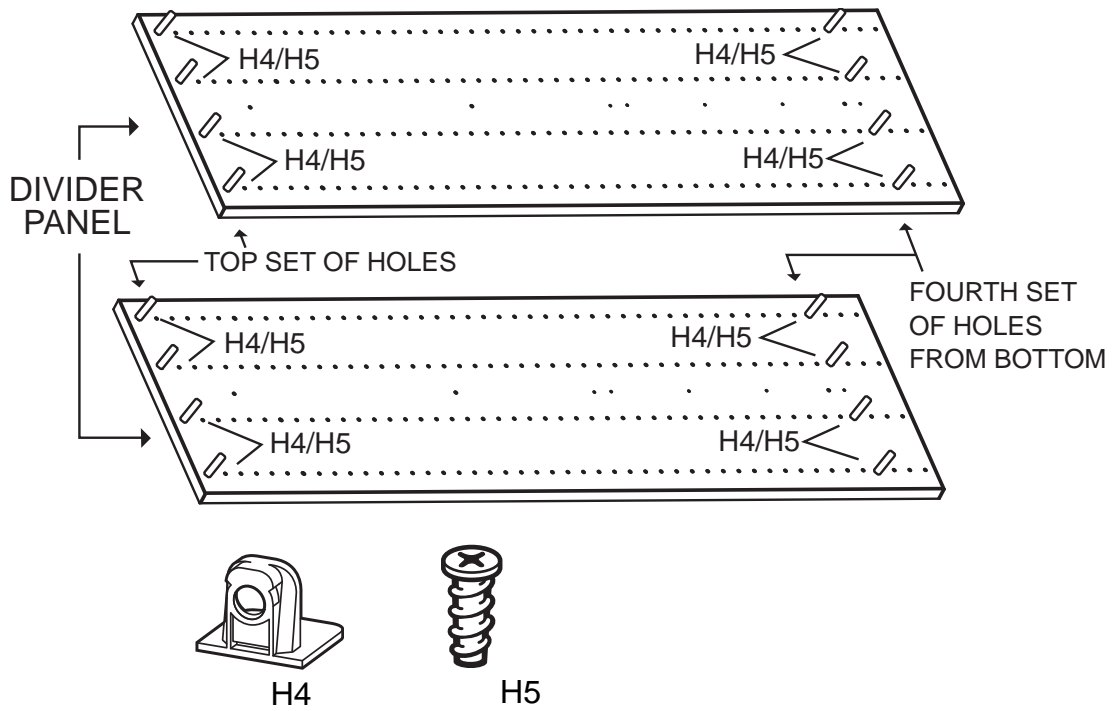
#2

Install eight Plastic Housings (H1) into the Top Panel (C) as shown.



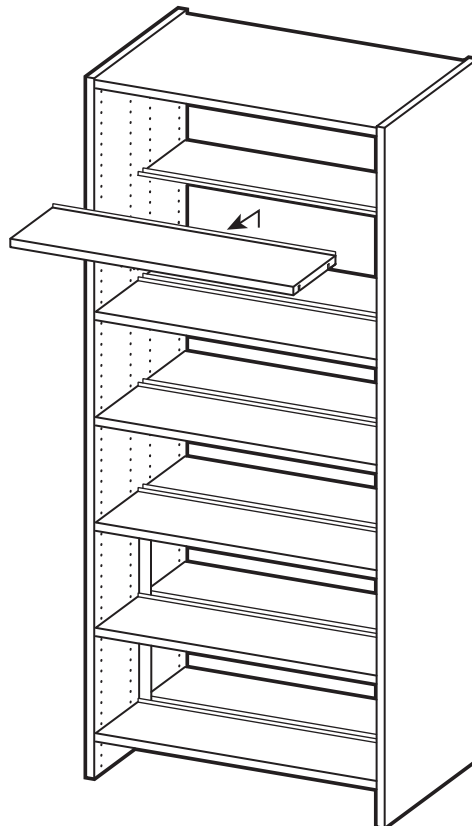
#3

Install Metal Flanges (H4) using Varianta Screws (H5) in each side of the Divider Panel (J) into the selected pre-drilled holes as indicated.



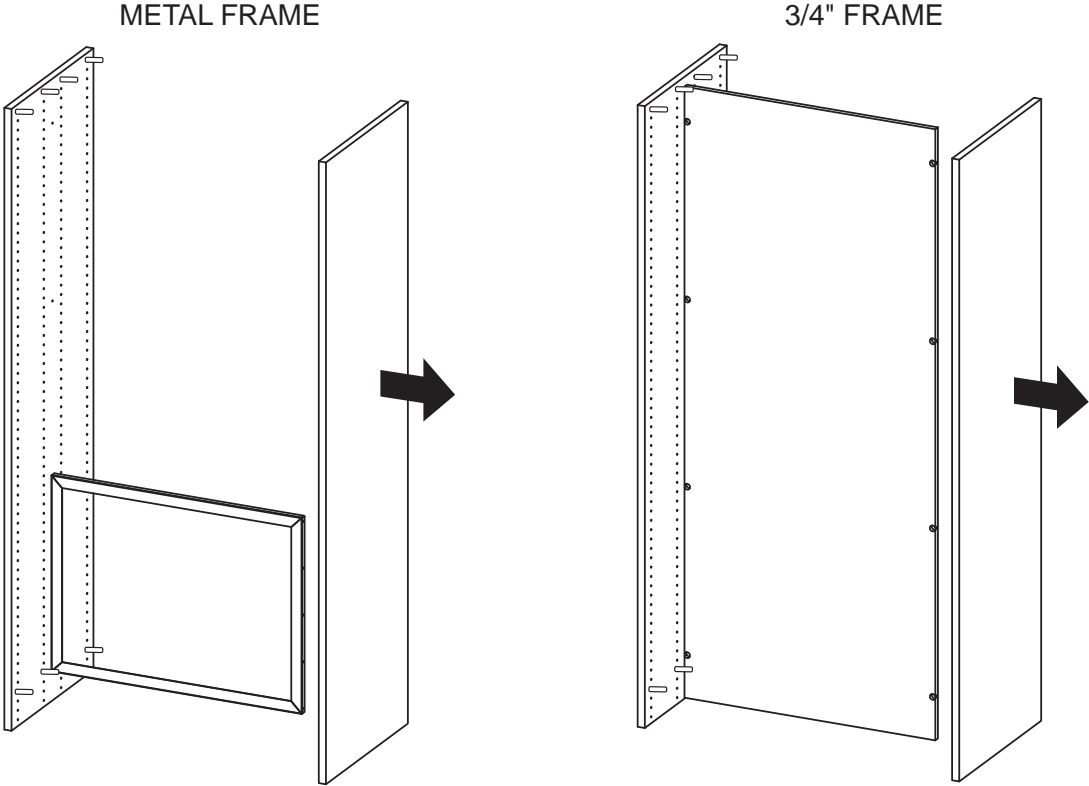
#4

For previously assembled bases, it will be necessary to remove all the Shelves, and the Top.



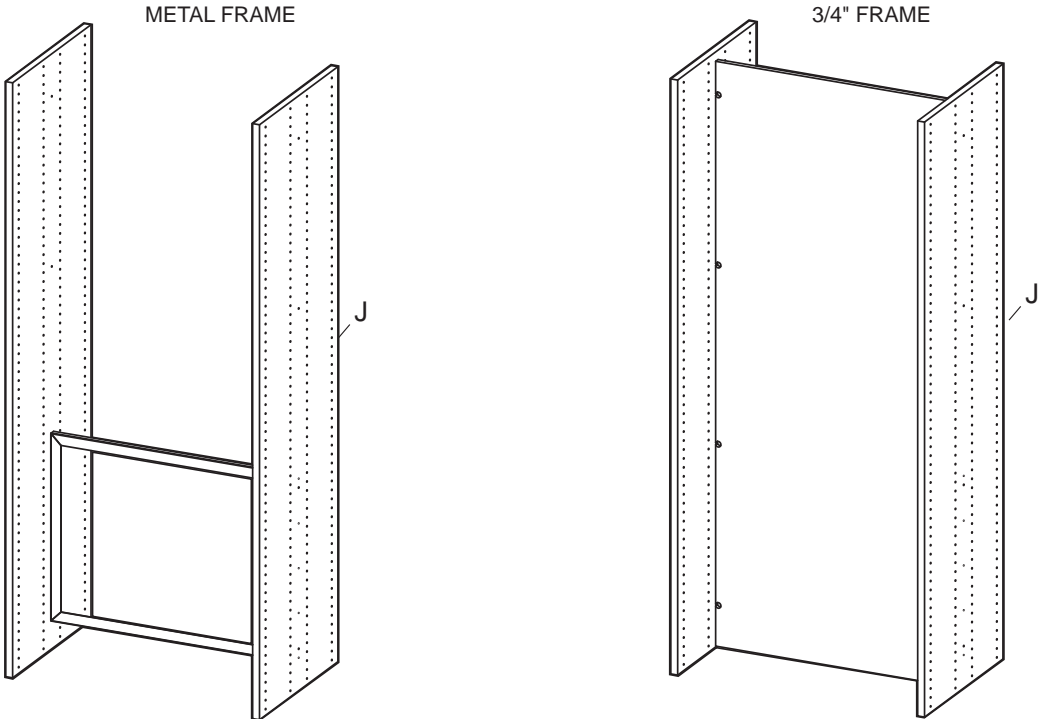
#5

With the assistance of another person, remove one side Panel.



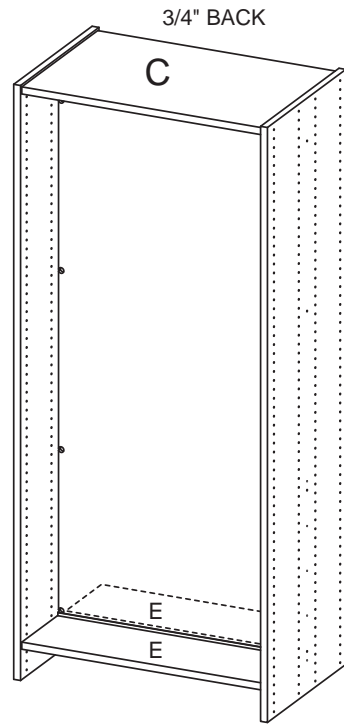
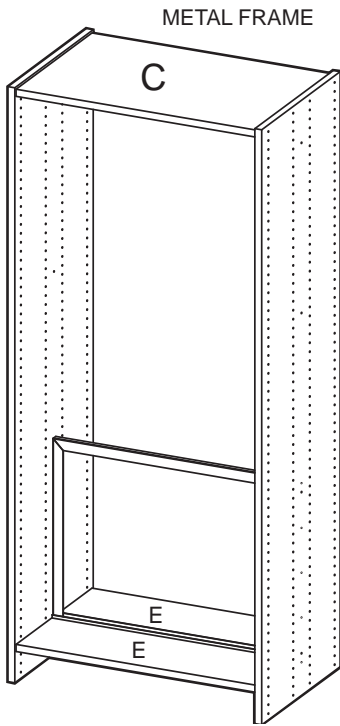
#6

Attach the divider Panel (J).



#7

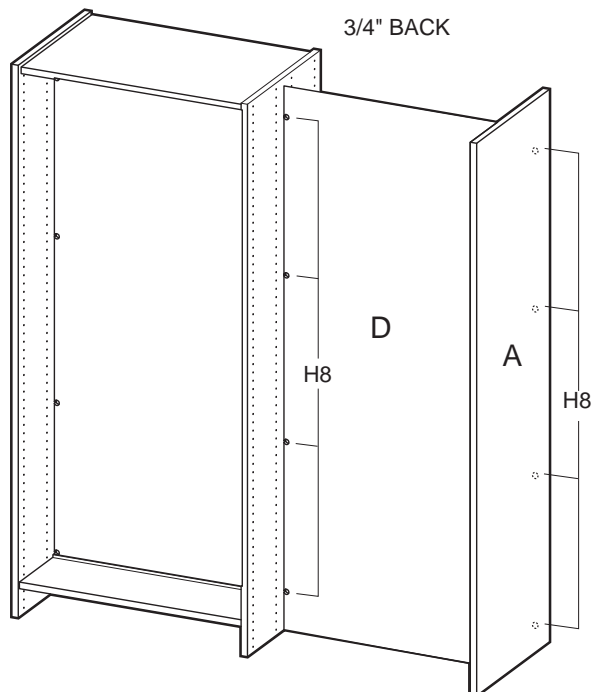
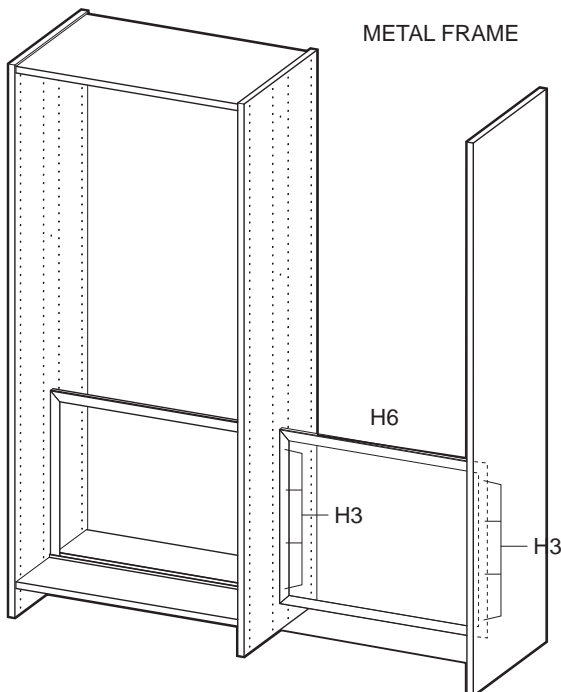
Attach the Top Panel (C) and the two Fixed Shelves (E) using the Tab-V System. Turn the Tab-V Cams 1/2 turn to tighten.



#8

For a **Metal Frame:**
Attach a Metal Frame (H6) and the Side Panel (A) using ten #8 x 5/8" screws (H3).

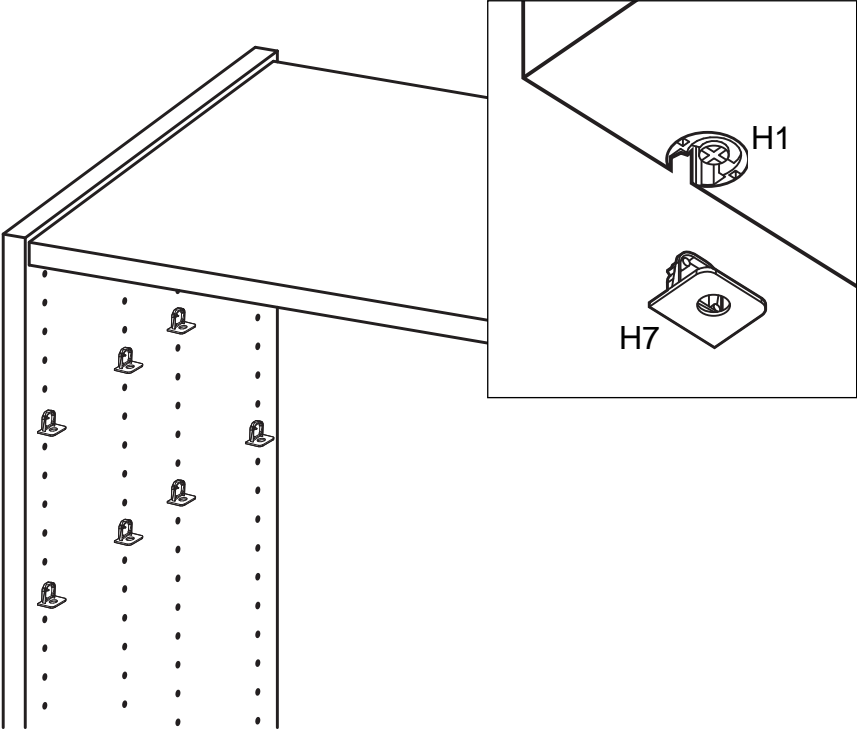
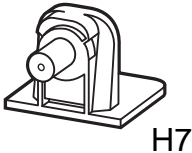
For a **3/4" Back:**
Attach a Back Panel (D) and the Side Panel (A) using the Rafx System as shown in the instructions for the Back Panel.



#10

Insert Metal Shelf Pins (H7) into both Sides at the preferred heights.

Place the Adjustable Shelves (E) into each side of the unit and lock the Tab-V Cams to secure.



#11

Your Glacier Library Shelving unit is now assembled and ready for use.

