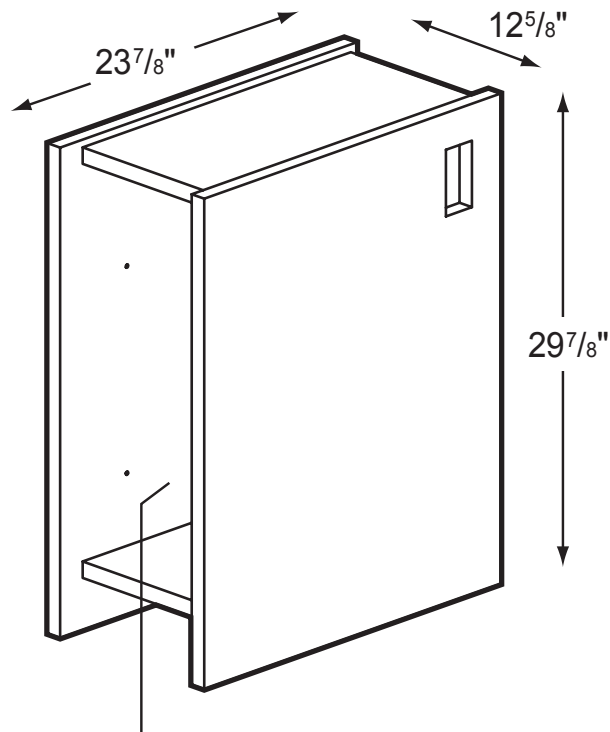


LWPS

Lab Workstation CPU Shelf



INSIDE: 10 $\frac{1}{2}$ " W x 24 $\frac{1}{8}$ " H x 21 $\frac{1}{2}$ " D

Product Specs

- 1" thermal fused laminate sides
- 3/4" thermal fused top and bottom
- Cam and post construction
- Matched edge banding
- Two - 2"x 4" grommets with covers
- Adjustable leveling glides