

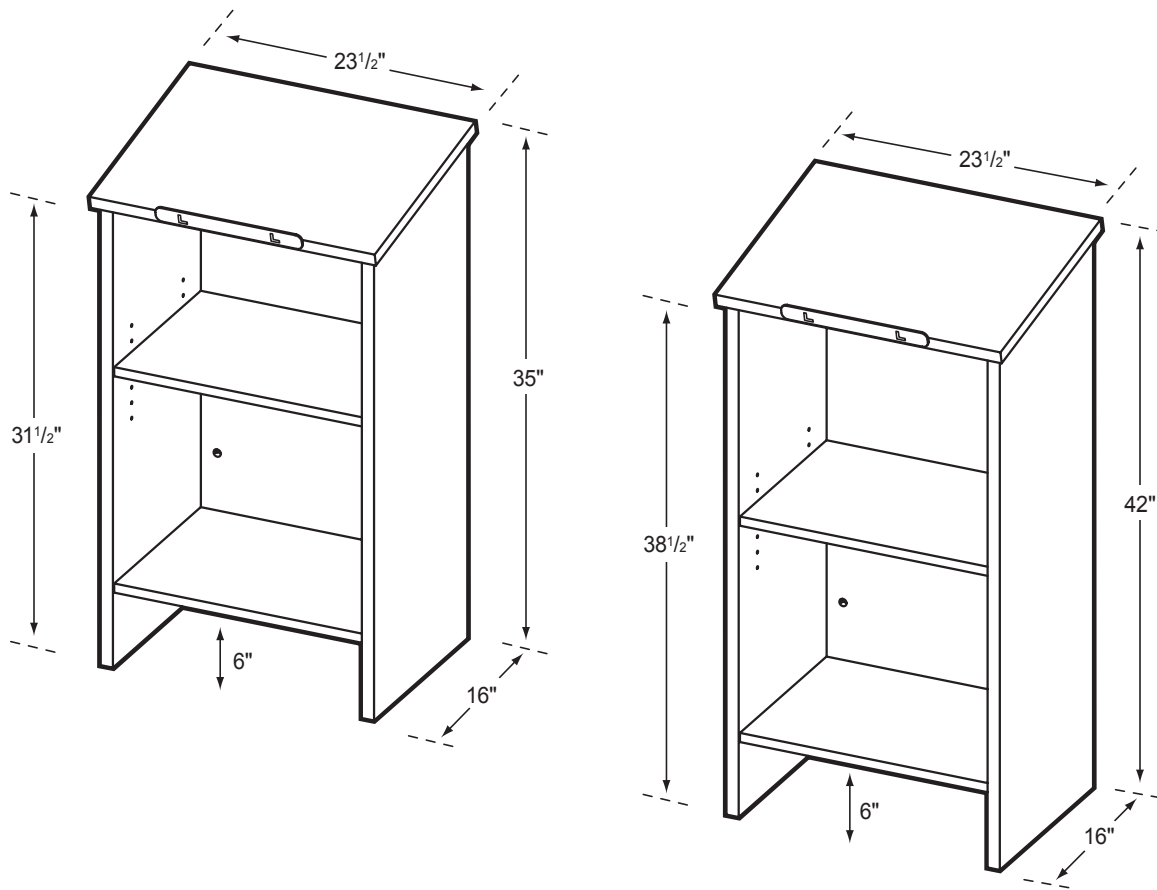


IRONWOOD
MANUFACTURING

GLACIER
LIBRARY FURNITURE

LFDS32-39

Dictionary Stand/ End-of-Range Display



Product Specs

- 1" thermal fused laminate top and sides
- 3/4" thermal fused laminate back and shelves
- Cam and post construction
- Matched edge banding
- Fixed storage shelf
- Adjustable shelves on 1-1/4" increments
- Drop down pencil stop
- Adjustable leveling glides

0208

Ironwood Manufacturing • P.O. Box 1420 • Missoula, Montana 59806
(406) 721-4747 • (800) 769-5693 • fax (406) 721-8424 • www.ironwoodmfg.com