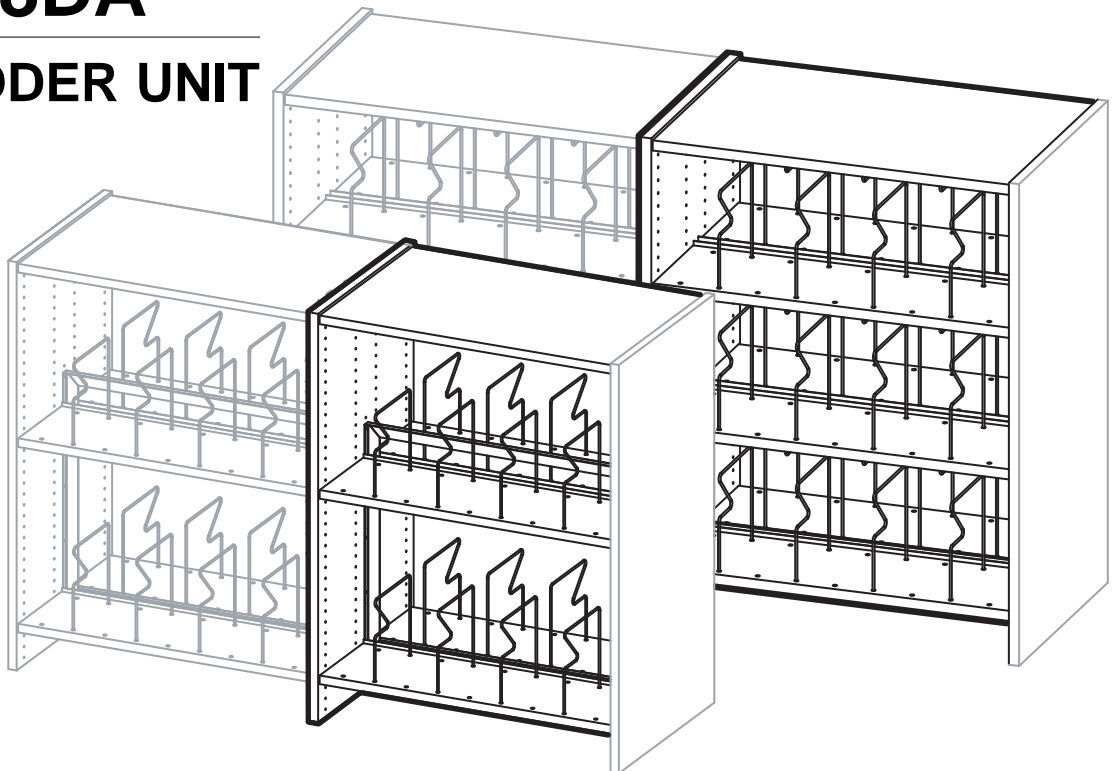


**PICTURE BOOK
SHELVING**

PBS42DA

PBS48DA

DOUBLE ADDER UNIT



IMPORTANT!

Assembly may require the assistance of another person.

Before you begin assembly:

READ THE DIRECTIONS all the way through one time. This will speed up the process and help you understand the sequence of steps.

COUNT THE PARTS AND HARDWARE before assembly. This ensures you have received all necessary parts before you begin.

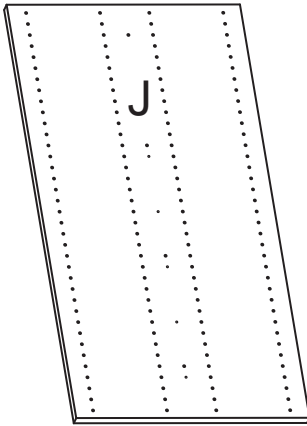
TOOLS: You may need a Phillips head screwdriver, a medium slotted screwdriver or a plastic mallet. To protect your new furniture from damage during assembly, it is recommended to work on a carpeted surface.

In the event any parts are missing from this package, send your name, address, telephone number, and a description of the missing part(s) to: **PARTS, Box 1420, Missoula, MT 59806** or call: **1-800-769-5693** or **FAX 1-800-445-5281**.

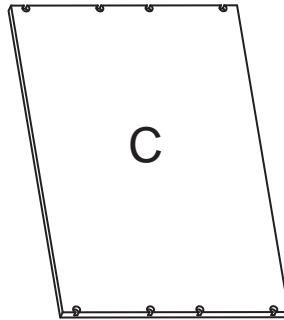
CAUTION: On assemblies requiring glue, make sure the unit is assembled correctly before gluing. Once this unit is assembled with glue, the manufacturer will not be responsible for damaged parts. Keep a damp cloth or sponge handy to wipe off excess glue.

To care for this furniture, simply wipe with a cloth dampened with glass cleaner containing ammonia-D.

PARTS & HARDWARE



Divider - PBS42DA	01021344	1 ea.
Divider - PBS48DA	01021744	1 ea.



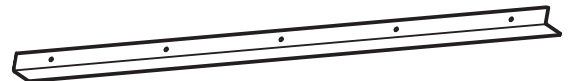
Top	01021102	1 ea.
-----	----------	-------



Shelving - PBS42	01024724	4 ea.
Shelving - PBS48		6 ea.



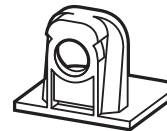
H1	Tab-V Plastic Housing - PBS42	909930	24 ea.
	Tab-V Plastic Housing - PBS48		32 ea.



H2	Book Stop - PBS42	412226	4 ea.
	Book Stop - PBS48		6 ea.



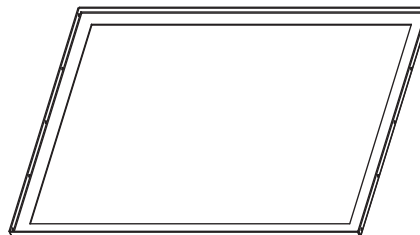
H3	#8 x 5/8" Panhead Screw - PBS42	988056	30 ea.
	#8 x 5/8" Panhead Screw - PBS48		40 ea.



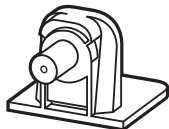
H4	Tab-V Metal Flange	909931	16 ea.
----	--------------------	--------	--------



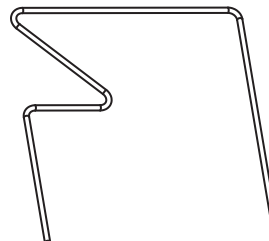
H5	Varianta Screw	988060	16 ea.
----	----------------	--------	--------



H6	Metal Frame	412026	1 ea.
----	-------------	--------	-------



H7	Tab-V Metal Shelf Clip - PBS42	909932	8 ea.
	Tab-V Metal Shelf Clip - PBS48		16 ea.



H8	Wire Divider - PBS42	490571	16 ea.
	Wire Divider - PBS48		24 ea.

If you have purchased the Back option or the Toe Space option to be assembled in conjunction with this Base unit,

it is important to read through the Back option and/or Toe Space option directions before beginning.

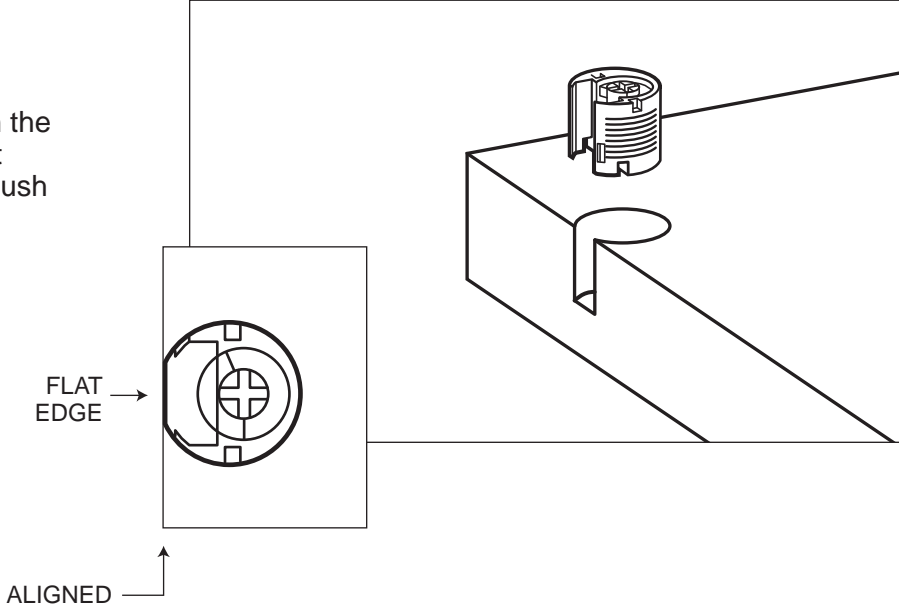
NOTE:

The diagrams show one size for ease of viewing. Any differences will be indicated in each step's text.

USING THE TAB-V SYSTEM:

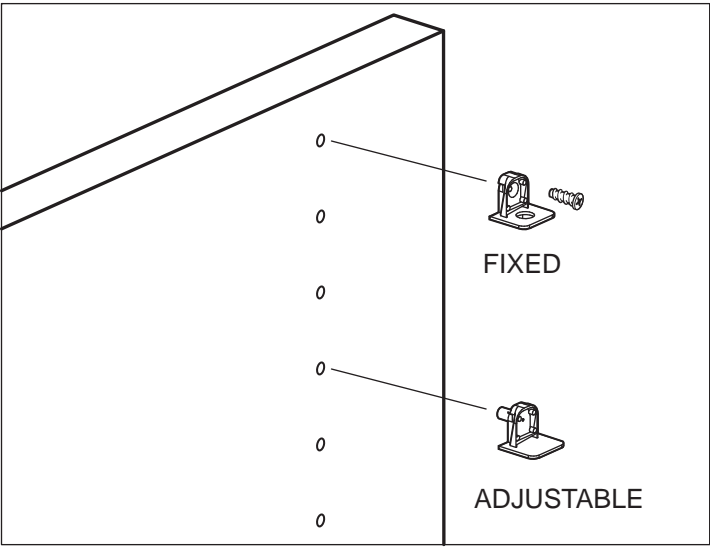
Using a plastic mallet, tap in the plastic housings with the flat edge facing outwards until flush with the surface.

IMPORTANT! The flat edge of the plastic housing must be aligned with the shelf edge. Plastic Housings cannot be repositioned once installed.



For a Fixed Shelf or Top, install the metal flange using a System (Varianta) Screw as shown. **DO NOT** over tighten!

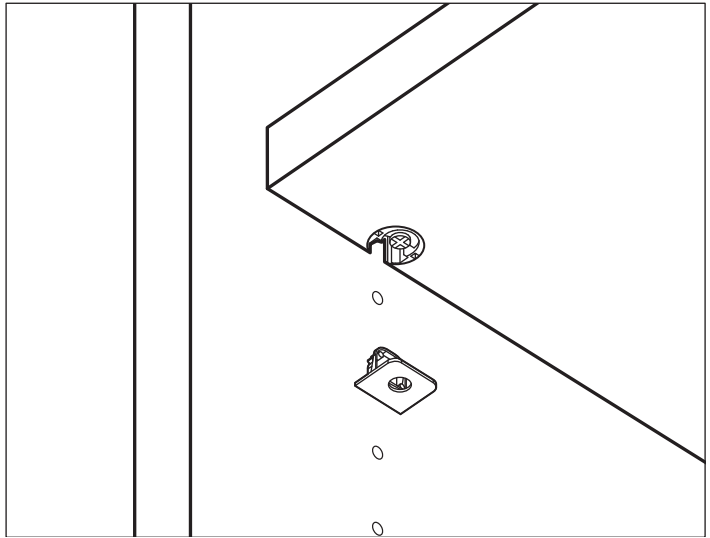
For an Adjustable Shelf, use the Metal Shelf Clip.



Slide the shelf into place over the Metal Flanges and push down until fully seated.

Turn the rotating portion (Cam) 1/2 turn to lock in place.

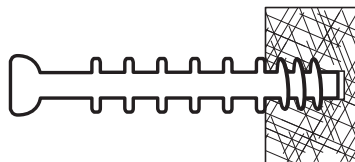
To remove, simply turn the Cam counter clockwise 1/2 turn and lift the shelf off of the Metal Flanges.



Using the Minifix System:

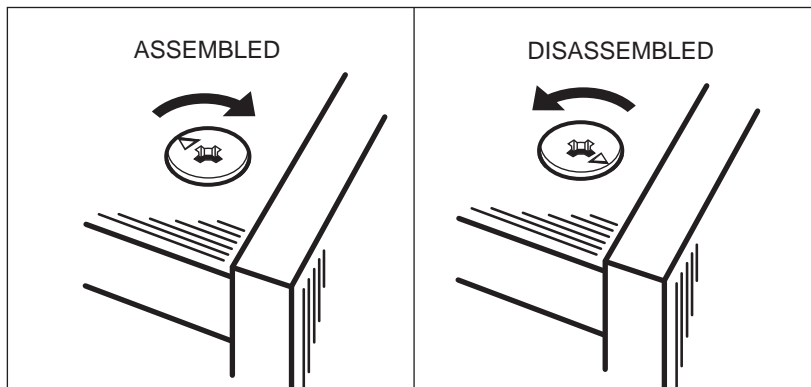
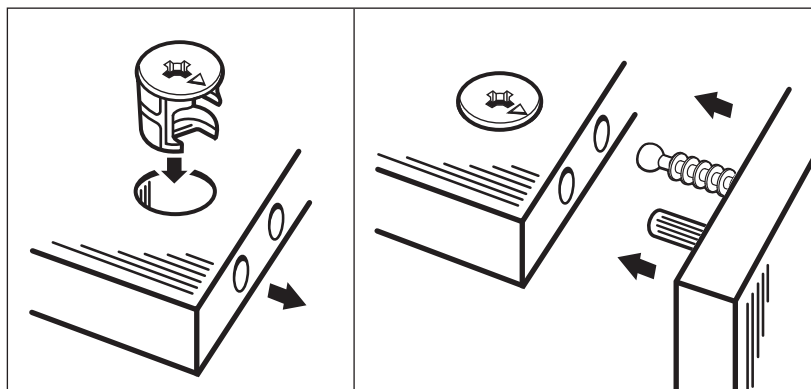
Insert the Minifix Cams into the appropriate holes with the arrow facing outwards as shown.

When screwing post into hole, **Do Not** over tighten. Screw post down until bottom face of post flange just touches board surface.



Using the #2 Phillips screwdriver, rotate the Cam Devices a half turn clockwise until snug.

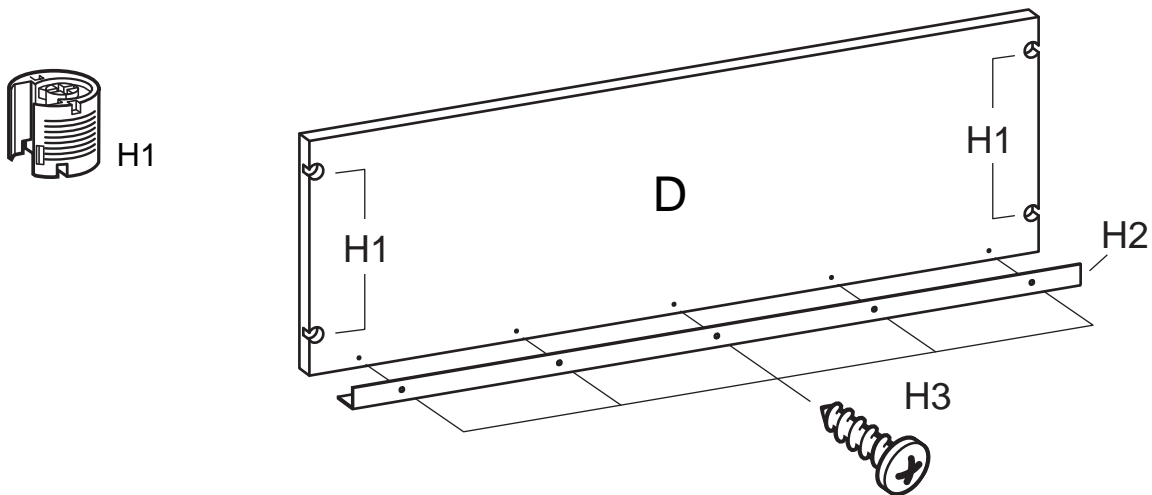
To disassemble, turn the Cam Devices counter-clockwise and remove panels.



#1

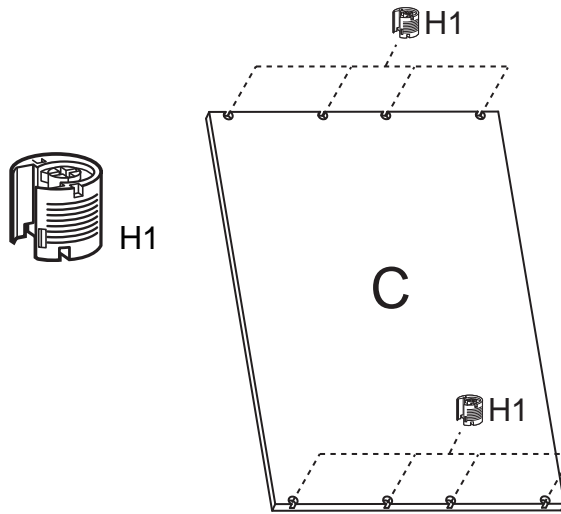
Install Plastic Housings (H1) into all Shelves (D). Refer to **“Using the Tab-V System”** on the previous page.

Attach a Book Stop (H2) to each Shelf (D) using Panhead Screws (H3) in the pre-drilled holes.



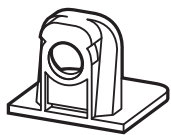
#2

Install eight Plastic Housings (H1) into the Top Panel (C) as shown.



#3

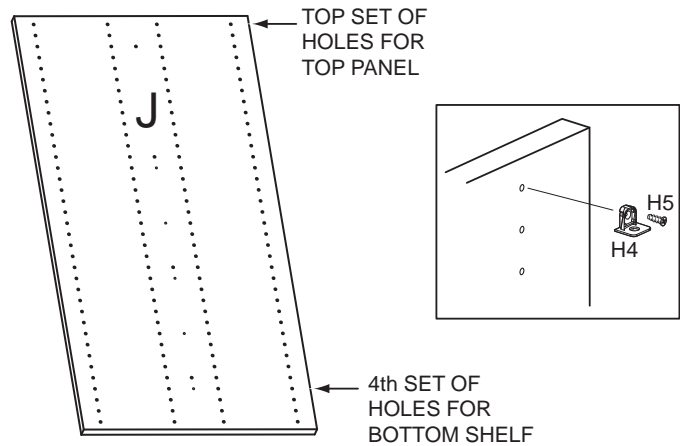
Place the Divider (J) on a clean, carpeted surface as shown. Install 16 Tab-V Metal Flanges (H4) using 16 Varianta Screws (H5).



H4



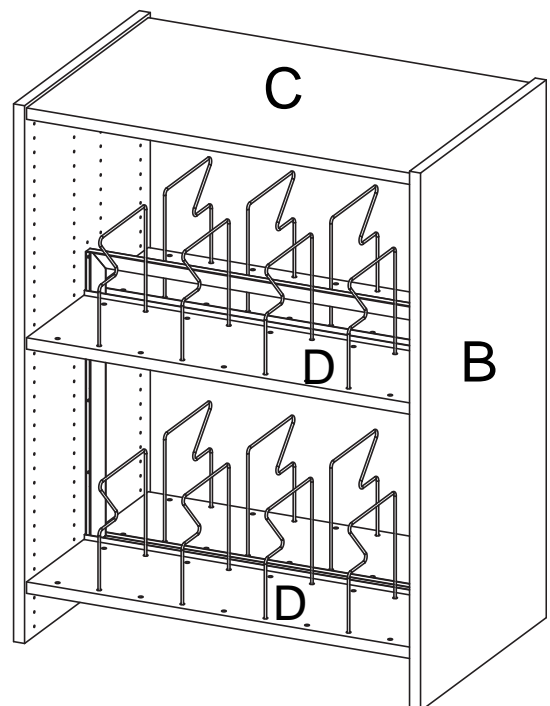
H5



#4

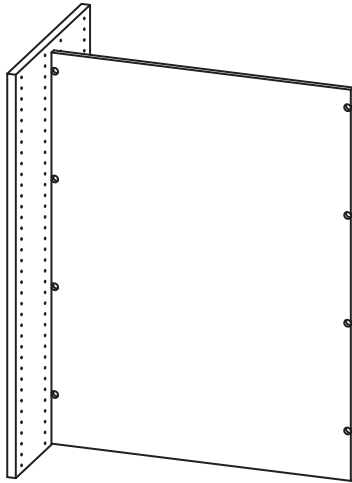
If you are attaching the Adder unit to a previously assembled Base unit, it will be necessary to partially disassemble the unit.

Remove all the Wire Dividers, Shelves (D) and the Top (C).



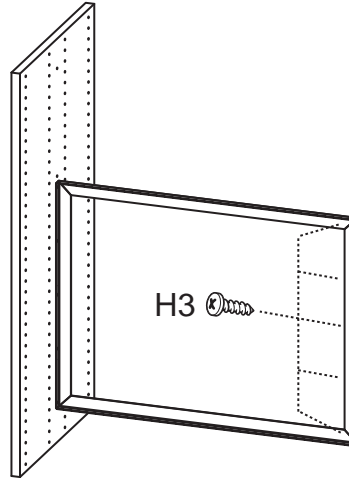
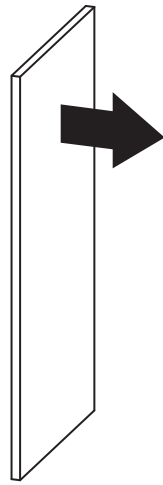
#5

With the assistance of another person, remove one Side Panel.



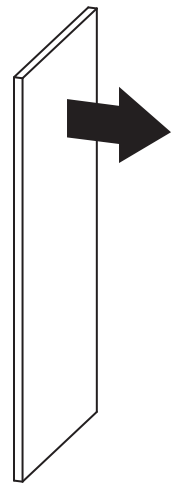
BACK PANEL

Rotate the 4 Rafix Cams (H8) counter clockwise to unlock.



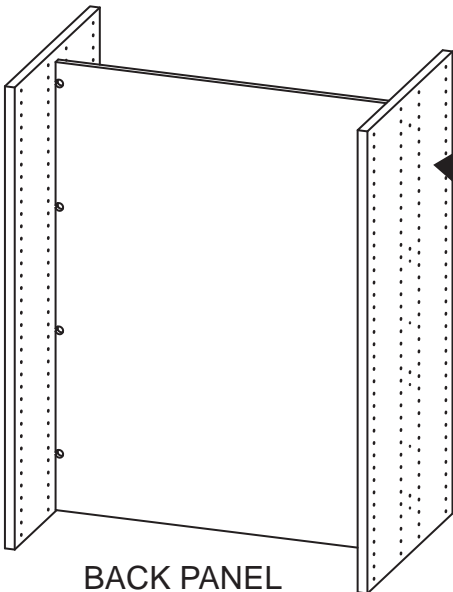
METAL FRAME

Remove five Panhead Screws (H3).



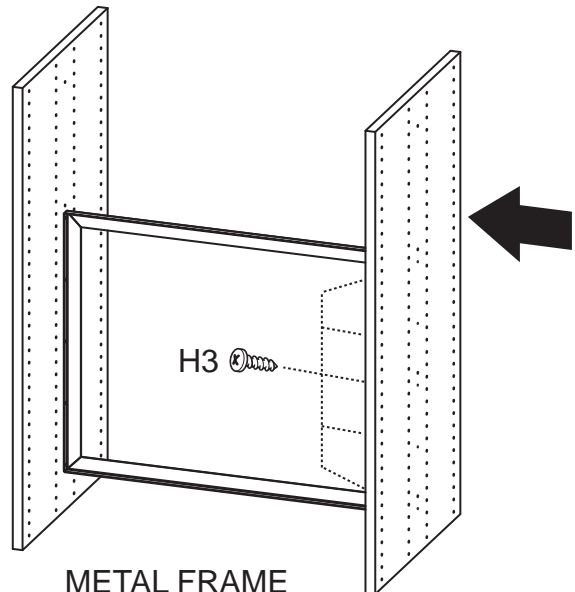
#6

Attach the Divider Panel (J).



BACK PANEL

Rotate the 4 Rafix Cams (H8) clockwise to secure.

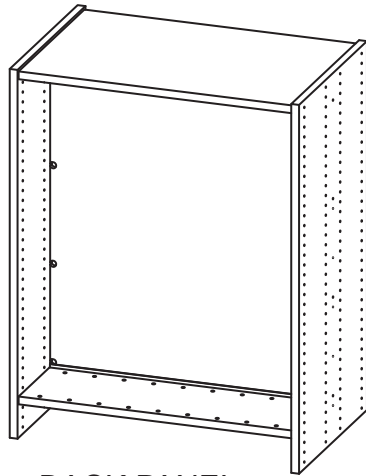


METAL FRAME

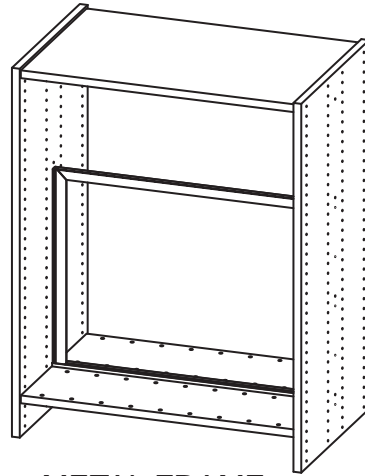
Use five #8 x 5/8" Panhead Screws (H3).

#7

Attach the Top Panel (C) and the Bottom Shelves (D). Be sure to turn the Tab-V Cams (H1) 1/2 turn to tighten.



BACK PANEL

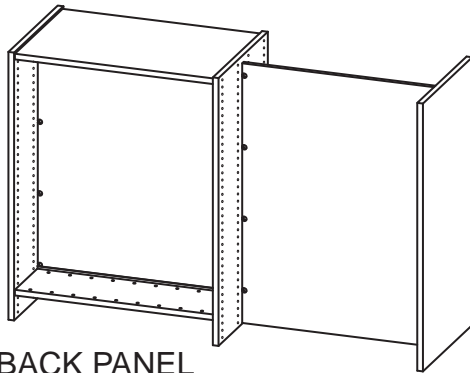


METAL FRAME

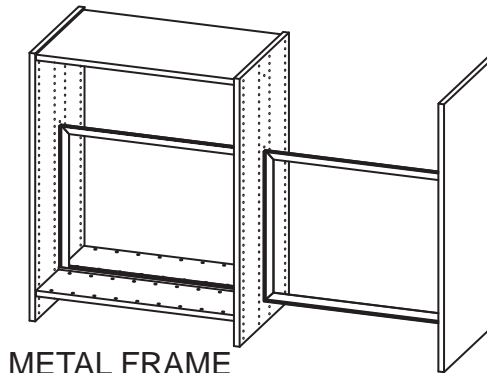
#8

Attach either a Metal Frame (H6) or Back Panel (D) as shown.

Attach the Right Side (B) as shown. For a metal Frame use five Panhead Screws (H3). For a 3/4" Back, lock the Rafix Cams (H8).



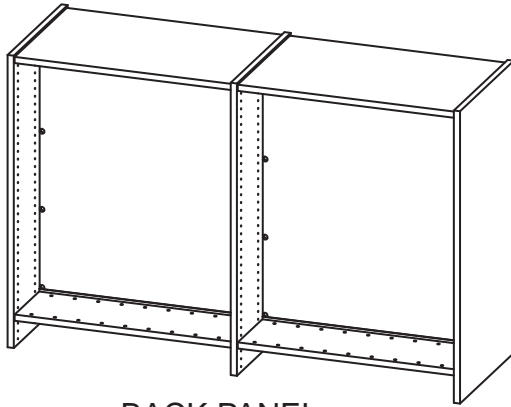
BACK PANEL



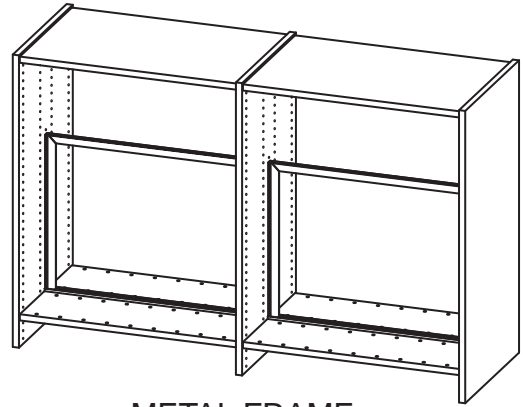
METAL FRAME

#9

Assemble the Top Panel (C) and the Fixed Shelf (E) to the unit as shown. Lock the Tab-V Cams (H1) to secure the parts in place.



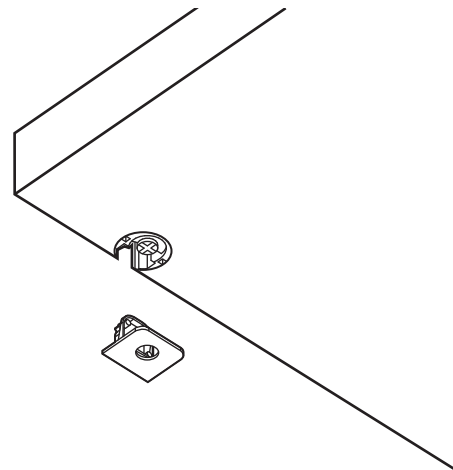
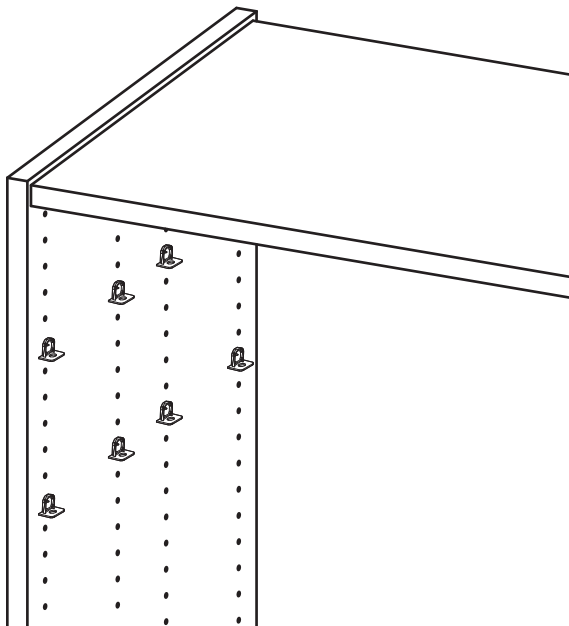
BACK PANEL



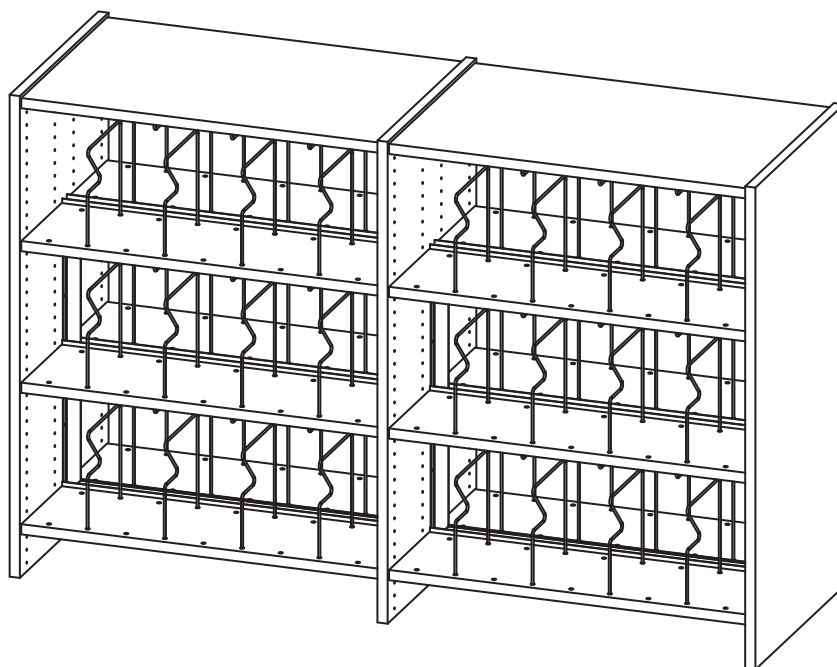
METAL FRAME

#10

Insert shelf pins (H6) at desired shelf heights. Place the Adjusting Shelves (E) in the unit.



#11



**Your Glacier Picture Book Shelving Unit
is now assembled and ready for use.**