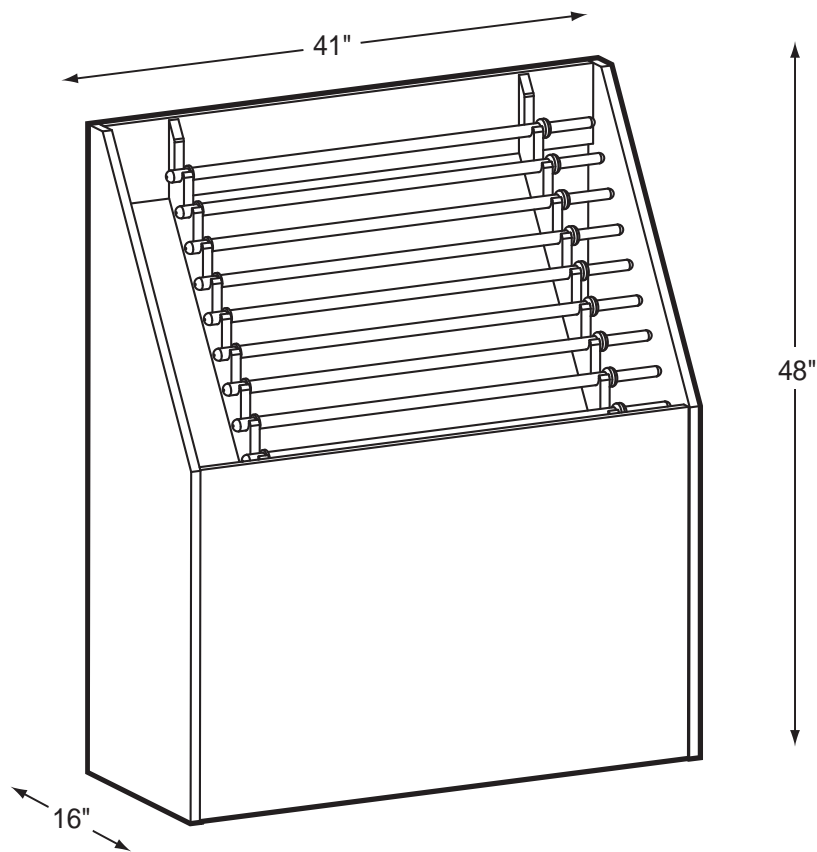


LIBRARY 3000

3002

Newspaper Rack



Product Specs

- 3/4" thermal fused laminate
- 3mm oak edge banding
- 2 - 1/2" oak hangers
- 9 newspaper rods