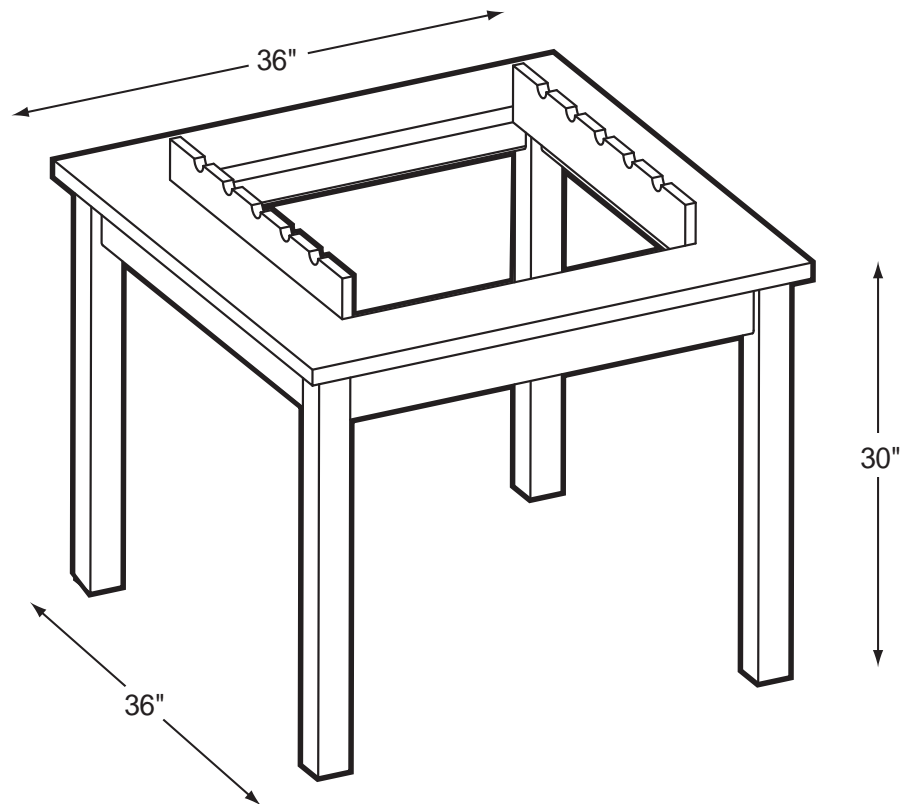


LIBRARY 3000

3004

Newspaper Stand



Product Specs

- 1" HPL top
- 3mm oak edge banding
- 2 - 1/4" solid oak legs
- 4" solid oak skirt
- Solid oak hangers
- 5 newspaper rods

0708