

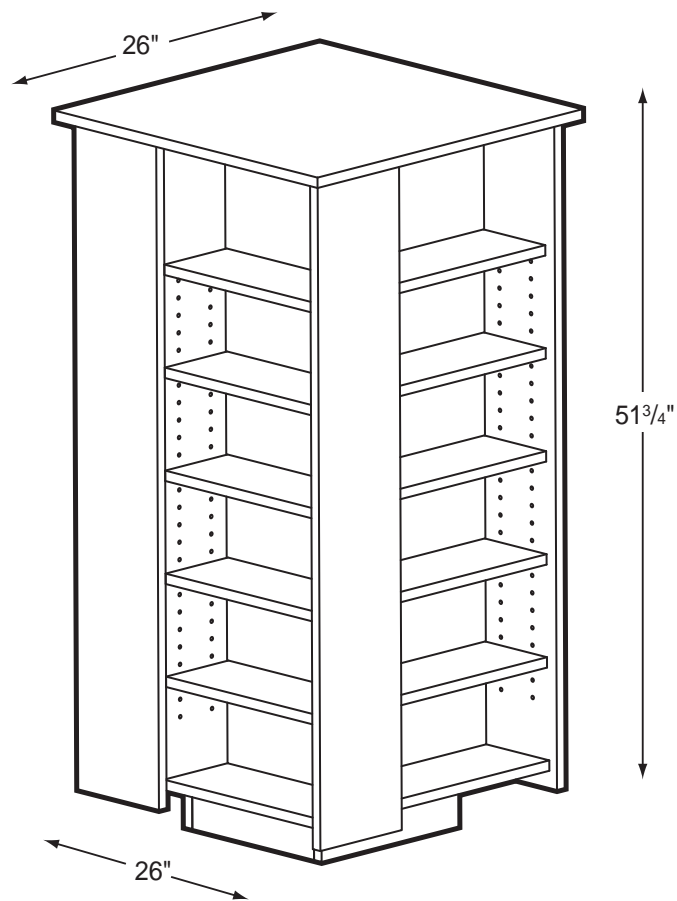


IRONWOOD
MANUFACTURING

LIBRARY 3000

3005

Spinner-Paperback Display



Product Specs

- 3/4" thermal fused laminate
- 3mm oak edge banding
- 360 Deg. Spinner base
- 5mm steel shelf supports
- Adjustable shelves on 1 1/4" increments

0708

Ironwood Manufacturing • P.O. Box 1420 • Missoula, Montana 59806
(406) 721-4747 • (800) 769-5693 • fax (406) 721-8424 • www.ironwoodmfg.com