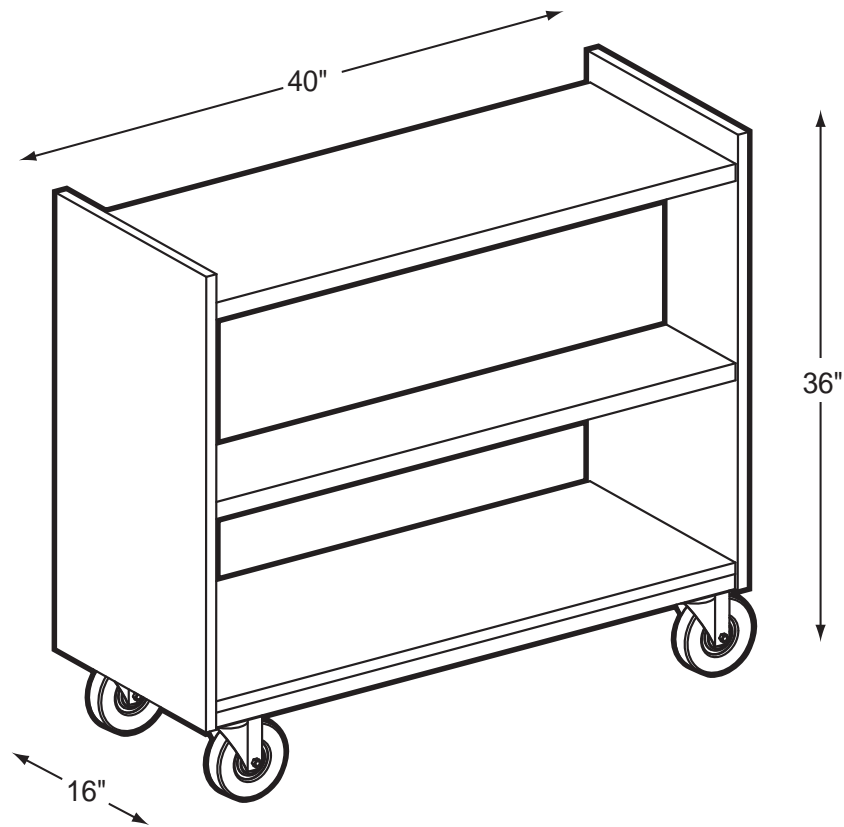


LIBRARY 3000

3013

Book Truck



Product Specs

- 3/4" thermal fused laminate
- 3mm oak edge banding
- Fully welded unitized bottom frame
- 10 ga. angle iron
- 3/16" caster mounting plates
- 5" casters (2 locking)